

# Panasonic

## Parts List

File No.

## Air Conditioner

---

**!** RoHS

• This product does not contain any hazardous substances prohibited by the **RoHS** Directive.

**⚠** WARNING

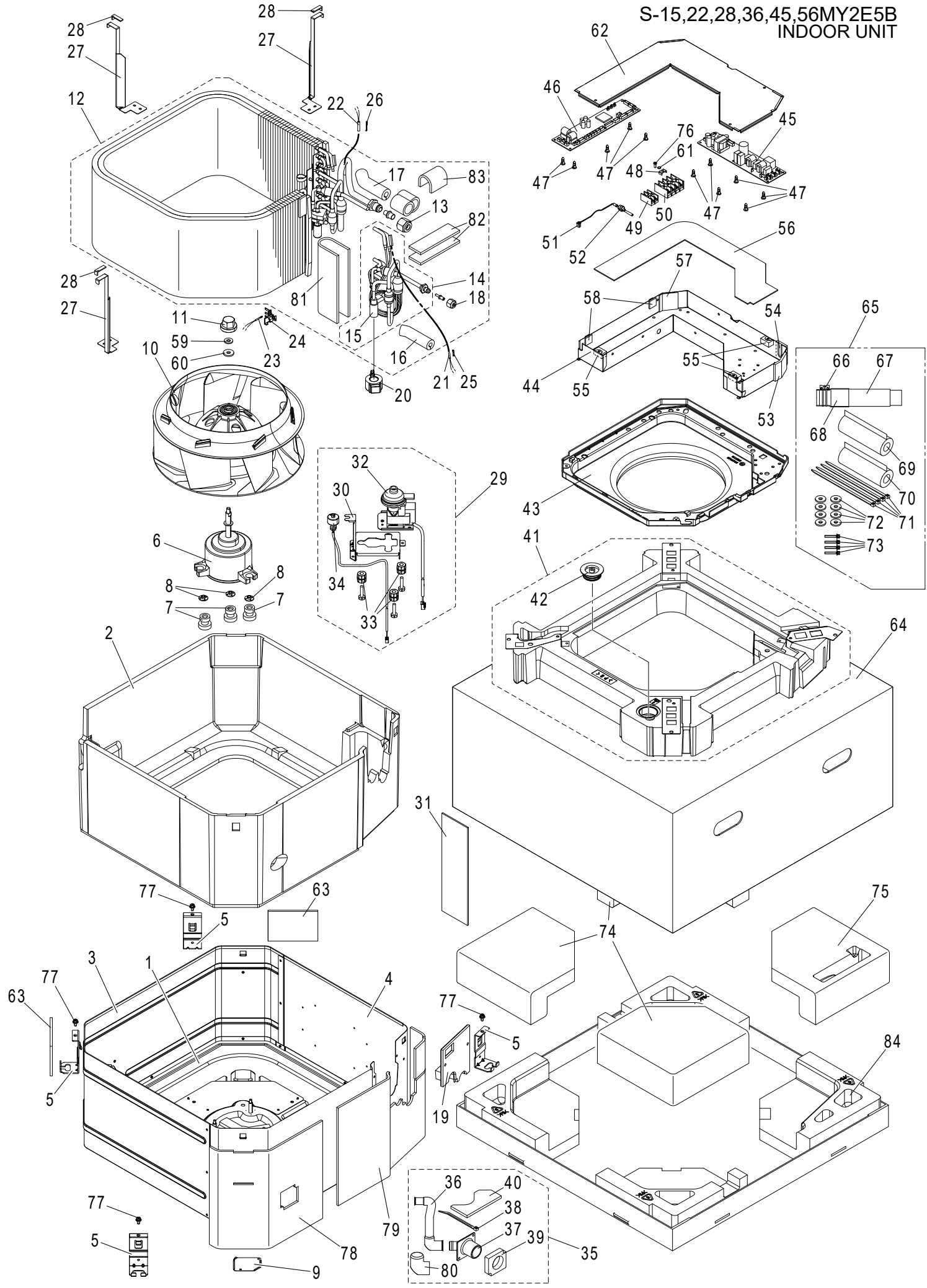
- You are requested to use **RoHS** compliant parts for maintenance or repair.
- You are requested to use lead-free solder.

REFERENCE No.PL834823-00

—— CONTENTS ——

|             | Model No.  | Page |
|-------------|------------|------|
| INDOOR UNIT | S-15MY2E5B | 1    |
|             | S-22MY2E5B | 1    |
|             | S-28MY2E5B | 1    |
|             | S-36MY2E5B | 1    |
|             | S-45MY2E5B | 1    |
|             | S-56MY2E5B | 1    |

S-15,22,28,36,45,56MY2E5B  
INDOOR UNIT



# ATTENTION!

To ensure correct parts supply, please let us know the following,

Part No. when you make service parts order:

S-15,22,28,36,45,56MY2E5B

1.Part No. 2.Description 3.Q'ty 4.Volts-Hz-Ph 5.Product Model No.

INDOOR UNIT

| KeyNo. | Description                              | 15<br>Q'ty | 22<br>Q'ty | 28<br>Q'ty | 36<br>Q'ty | 45<br>Q'ty | 56<br>Q'ty | Reference No. | Available in<br>EyesG21 |
|--------|--|------------|------------|------------|------------|------------|------------|---------------|-------------------------|
| 1      | BASE PAN ASSY                            | 1          | 1          | 1          | 1          | 1          | 1          | CWD52K1100    | o                       |
| 2      | FOAMED STYRENE COMPLETE                  | 1          | 1          | 1          | 1          | 1          | 1          | CWG07C1067    | o                       |
| 3      | CABINET SIDE PLATE                       | 1          | 1          | 1          | 1          | 1          | 1          | CWE041121     | o                       |
| 4      | CABINET SIDE PLATE                       | 1          | 1          | 1          | 1          | 1          | 1          | CWE041759     | o                       |
| 5      | PARTICULAR PIECE                         | 4          | 4          | 4          | 4          | 4          | 4          | CWD932433     | o                       |
| *      | 6 DC MOTORS (BRUSHLESS GENERAL USE)      | 1          | 1          | 1          | 1          | 1          | 1          | L6CBYYL0097   | o                       |
| 7      | ANTI-VIBRATION BUSHING                   | 3          | 3          | 3          | 3          | 3          | 3          | CWH501105     | o                       |
| 8      | SCREW - FAN MOTOR                        | 3          | 3          | 3          | 3          | 3          | 3          | CWH561058     | o                       |
| 9      | FLAT PIECE                               | 1          | 1          | 1          | 1          | 1          | 1          | CWD741024     | o                       |
| 10     | FAN ASSY                                 | 1          | 1          | 1          | 1          | 1          | 1          | CWH03K1022    | o                       |
| 11     | NUT for TURBO FAN                        | 1          | 1          | 1          | 1          | 1          | 1          | CWH561042     | o                       |
| 12     | FIN & TUBE EVAPORATER-COMPLETE           | 1          | 1          | 1          | 1          | 1          | 1          | ACXB30C17170  | o                       |
| 13     | FLARE NUT (1/2")                         | 1          | 1          | 1          | 1          | 1          | 1          | CWT251032     | o                       |
| 14     | TUBE ASSY (CAPILLARY TUBE)               | 1          | 1          | 1          | 1          | 1          | 1          | ACXT00-51720  | o                       |
| *      | 15 EXPANTION VALVE                       | 1          | 1          | 1          | 1          | 1          | 1          | CWB051050     | o                       |
| 16     | ADH. POLY-U. FOAM                        | 1          | 1          | 1          | 1          | 1          | 1          | CWG021023     | o                       |
| 17     | ADH. POLY-U. FOAM                        | 1          | 1          | 1          | 1          | 1          | 1          | CWG021064     | o                       |
| 18     | FLARE NUT (1/4")                         | 1          | 1          | 1          | 1          | 1          | 1          | CWT251030     | o                       |
| 19     | PARTICULAR PIECE-COMPLETE                | 1          | 1          | 1          | 1          | 1          | 1          | CWD93C1099    | o                       |
| *      | 20 V-COIL COMPLETE                       | 1          | 1          | 1          | 1          | 1          | 1          | CWA43C2582    | o                       |
| *      | 21 THERMISTOR (HEAT EXCHANGER TEMP - E1) | 1          | 1          | 1          | 1          | 1          | 1          | CWA50C3030    | o                       |
| *      | 22 THERMISTOR (HEAT EXCHANGER TEMP - E3) | 1          | 1          | 1          | 1          | 1          | 1          | CWA50C3031    | o                       |
| *      | 23 THERMISTOR (DISCHARGE AIR TEMP - BL)  | 1          | 1          | 1          | 1          | 1          | 1          | CWA50C3032    | o                       |
| *      | 24 HOLDER-SENSOR                         | 1          | 1          | 1          | 1          | 1          | 1          | CWH321112     | o                       |
| *      | 25 HOLDER-SENSOR                         | 1          | 1          | 1          | 1          | 1          | 1          | CWH32143      | o                       |
| *      | 26 PLATE SPRING                          | 1          | 1          | 1          | 1          | 1          | 1          | CWH711010     | o                       |
| 27     | PARTICULAR PLATE                         | 3          | 3          | 3          | 3          | 3          | 3          | CWD911529A    | o                       |
| 28     | POLY-E.FOAM                              | 3          | 3          | 3          | 3          | 3          | 3          | CWE2A8-35     | o                       |
| *      | 29 PUMP-COMPLETE                         | 1          | 1          | 1          | 1          | 1          | 1          | ACXB53C00680  | o                       |
| 30     | PARTICULAR PIECE ASSY                    | 1          | 1          | 1          | 1          | 1          | 1          | CWD93K1021    | o                       |
| 31     | POLY-E.FOAM                              | 1          | 1          | 1          | 1          | 1          | 1          | E3A80-265     | o                       |
| *      | 32 PUMP                                  | 1          | 1          | 1          | 1          | 1          | 1          | ACXB53-00380  | o                       |
| 33     | ANTI-VIBRATION BUSHING                   | 3          | 3          | 3          | 3          | 3          | 3          | CWH501080     | o                       |
| *      | 34 FLOAT SWITCH - DRAIN PUMP             | 1          | 1          | 1          | 1          | 1          | 1          | ACXA12C00830  | o                       |
| 35     | FLEXIBLE PIPE-COMPLETE                   | 1          | 1          | 1          | 1          | 1          | 1          | CWH85C1033    | o                       |
| 36     | FLEXIBLE PIPE                            | 1          | 1          | 1          | 1          | 1          | 1          | CWH851111     | o                       |
| 37     | DRAIN NOZZLE                             | 1          | 1          | 1          | 1          | 1          | 1          | CWH411011     | o                       |
| 38     | BAND                                     | 1          | 1          | 1          | 1          | 1          | 1          | CW4605004     | o                       |
| 39     | ADH. POLY-E. FOAM                        | 1          | 1          | 1          | 1          | 1          | 1          | CWG122449     | o                       |
| 40     | ADH.EPT SEAL                             | 1          | 1          | 1          | 1          | 1          | 1          | CWG321050     | o                       |
| 41     | DRAIN PAN-COMPLETE                       | 1          | 1          | 1          | 1          | 1          | 1          | CWH40C1071    | o                       |
| 42     | PLUG                                     | 1          | 1          | 1          | 1          | 1          | 1          | CWB821008     | o                       |
| 43     | AIR GUIDER B.W.                          | 1          | 1          | 1          | 1          | 1          | 1          | CWD321110     | o                       |
| 44     | CONTROL BOARD ASSY                       | 1          | 1          | 1          | 1          | 1          | 1          | CWH10K1195    | o                       |
| *      | 45 ELECTRONIC CONTROLLER - POWER         | 1          | 1          | 1          | 1          | 1          | 1          | CWA747335     | o                       |
| *      | 46 PC BOARD W/COMPONENT                  | 1          | -          | -          | -          | -          | -          | ACXA73C66850  | o                       |
| *      | 46 PC BOARD W/COMPONENT                  | -          | 1          | -          | -          | -          | -          | ACXA73C66860  | o                       |
| *      | 46 PC BOARD W/COMPONENT                  | -          | -          | 1          | -          | -          | -          | ACXA73C66870  | o                       |
| *      | 46 PC BOARD W/COMPONENT                  | -          | -          | -          | 1          | -          | -          | ACXA73C66880  | o                       |
| *      | 46 PC BOARD W/COMPONENT                  | -          | -          | -          | -          | 1          | -          | ACXA73C66890  | o                       |

NOTE: Metal and plastic parts will be supplied basically with necessary heat insulation pads or packing. Each key number with an asterisk (\*) means the recommended service parts.

# ATTENTION!

To ensure correct parts supply, please let us know the following,

Part No. when you make service parts order:

S-15,22,28,36,45,56MY2E5B

1.Part No. 2.Description 3.Q'ty 4.Volts-Hz-Ph 5.Product Model No.

INDOOR UNIT

| KeyNo. | Description                       | 15<br>Q'ty | 22<br>Q'ty | 28<br>Q'ty | 36<br>Q'ty | 45<br>Q'ty | 56<br>Q'ty | Reference No. | Available in<br>EyesG21 |
|--------|-----------------------------------|------------|------------|------------|------------|------------|------------|---------------|-------------------------|
| * 46   | PC BOARD W/COMPONENT              | -          | -          | -          | -          | -          | 1          | ACXA73C66900  | o                       |
| 47     | SPACER                            | 11         | 11         | 11         | 11         | 11         | 11         | CWH541070     |                         |
| 48     | PARTICULAR PIECE                  | 1          | 1          | 1          | 1          | 1          | 1          | CWD932155J    | o                       |
| * 49   | TERMINAL BOARD ASSY               | 1          | 1          | 1          | 1          | 1          | 1          | CWA28K1042J   | o                       |
| * 50   | TERMINAL BOARD ASSY               | 1          | 1          | 1          | 1          | 1          | 1          | CWA28K1292    | o                       |
| * 51   | THERMISTOR (AIR TEMP SENSOR - TA) | 1          | 1          | 1          | 1          | 1          | 1          | CWA50C3025    | o                       |
| 52     | RUBBER.RESIN OR VINYL             | 1          | 1          | 1          | 1          | 1          | 1          | CW4690280     |                         |
| 53     | ADH.EPT SEAL                      | 1          | 1          | 1          | 1          | 1          | 1          | CWG321051     |                         |
| 54     | ADH.EPT SEAL                      | 1          | 1          | 1          | 1          | 1          | 1          | CWG321052     |                         |
| 55     | ADH. POLY-E. FOAM                 | 3          | 3          | 3          | 3          | 3          | 3          | CWG122865     |                         |
| 56     | ADH. POLY-E. FOAM                 | 1          | 1          | 1          | 1          | 1          | 1          | CWG123465     |                         |
| 57     | POLY-E.FOAM (FLAME PROOF)         | 1          | 1          | 1          | 1          | 1          | 1          | CWEN2A45-60   |                         |
| 58     | POLY-E.FOAM (FLAME PROOF)         | 2          | 2          | 2          | 2          | 2          | 2          | CWEN3A20-20   |                         |
| 59     | SPRING WASHER                     | 1          | 1          | 1          | 1          | 1          | 1          | XWA8BFJ       | o                       |
| 60     | PLAIN WASHER                      | 1          | 1          | 1          | 1          | 1          | 1          | XWG8H22FJ     | o                       |
| 61     | SPRING WASHER                     | 1          | 1          | 1          | 1          | 1          | 1          | XWA4V         |                         |
| 62     | CONTROL BOARD COVER-COMPLETE      | 1          | 1          | 1          | 1          | 1          | 1          | ACXH13C06110  | o                       |
| 63     | POLY-E.FOAM                       | 2          | 2          | 2          | 2          | 2          | 2          | E5A80-110     |                         |
| 64     | C.C.CASE                          | 1          | 1          | 1          | 1          | 1          | 1          | ACXG50-48541  | o                       |
| 65     | ACCESSORY-COMPLETE                | 1          | 1          | 1          | 1          | 1          | 1          | CWH82C1270    | o                       |
| 66     | WIRE SPRING                       | 1          | 1          | 1          | 1          | 1          | 1          | CWH722003     | o                       |
| 67     | FLEXIBLE PIPE                     | 1          | 1          | 1          | 1          | 1          | 1          | CWH851032     | o                       |
| 68     | POLY-E.FOAM (FLAME PROOF)         | 1          | 1          | 1          | 1          | 1          | 1          | EN3A80-160    |                         |
| 69     | ADH. POLY-U. FOAM                 | 1          | 1          | 1          | 1          | 1          | 1          | CWG021116     |                         |
| 70     | ADH. POLY-U. FOAM                 | 1          | 1          | 1          | 1          | 1          | 1          | CWG021117     |                         |
| 71     | BAND                              | 4          | 4          | 4          | 4          | 4          | 4          | CWH88132      |                         |
| 72     | WASHER                            | 8          | 8          | 8          | 8          | 8          | 8          | CWH571012J    |                         |
| 73     | SCREW                             | 4          | 4          | 4          | 4          | 4          | 4          | CWH551129J    |                         |
| 74     | SHOCK ABSORBER                    | 3          | 3          | 3          | 3          | 3          | 3          | CWG712510     |                         |
| 75     | SHOCK ABSORBER                    | 1          | 1          | 1          | 1          | 1          | 1          | CWG712509     |                         |
| 76     | MACHINE SCREW                     | 1          | 1          | 1          | 1          | 1          | 1          | XSB4D8FJ      |                         |
| 77     | SELF TAPPING SCREW                | 4          | 4          | 4          | 4          | 4          | 4          | XTT4+10AFJ    |                         |
| 78     | ADH. POLY-E. FOAM                 | 1          | 1          | 1          | 1          | 1          | 1          | CWG122450     |                         |
| 79     | ADH. POLY-E. FOAM                 | 1          | 1          | 1          | 1          | 1          | 1          | CWG122451     |                         |
| 80     | EPT SEAL (FLAMEPROOF)             | 1          | 1          | 1          | 1          | 1          | 1          | D5A50-50      |                         |
| 81     | BUTYL TAPE                        | 1          | 1          | 1          | 1          | 1          | 1          | KG3AF100-300  |                         |
| 82     | BUTYL TAPE                        | 2          | 2          | 2          | 2          | 2          | 2          | KG3AF60-200   |                         |
| 83     | BUTYL TAPE                        | 1          | 1          | 1          | 1          | 1          | 1          | KG3AF80-80    |                         |
| 84     | BASE BOARD-COMPLETE               | 1          | 1          | 1          | 1          | 1          | 1          | CWG62C1111    | o                       |
| -      | INSTALLATION INSTRUCTION          | 1          | 1          | 1          | 1          | 1          | 1          | ACXF55-29110  |                         |
| -      | OPERATING INSTRUCTION             | 1          | 1          | 1          | 1          | 1          | 1          | ACXF60-41570  |                         |
|        |                                   |            |            |            |            |            |            |               |                         |
|        |                                   |            |            |            |            |            |            |               |                         |
|        |                                   |            |            |            |            |            |            |               |                         |
|        |                                   |            |            |            |            |            |            |               |                         |
|        |                                   |            |            |            |            |            |            |               |                         |
|        |                                   |            |            |            |            |            |            |               |                         |
|        |                                   |            |            |            |            |            |            |               |                         |
|        |                                   |            |            |            |            |            |            |               |                         |
|        |                                   |            |            |            |            |            |            |               |                         |
|        |                                   |            |            |            |            |            |            |               |                         |
|        |                                   |            |            |            |            |            |            |               |                         |
|        |                                   |            |            |            |            |            |            |               |                         |
|        |                                   |            |            |            |            |            |            |               |                         |
|        |                                   |            |            |            |            |            |            |               |                         |

NOTE: Metal and plastic parts will be supplied basically with necessary heat insulation pads or packing. Each key number with an asterisk (\*) means the recommended service parts.