

# Panasonic

## Parts List

File No.

## Air Conditioner

---

**RoHS**

• This product does not contain any hazardous substances prohibited by the **RoHS** Directive.

**WARNING**

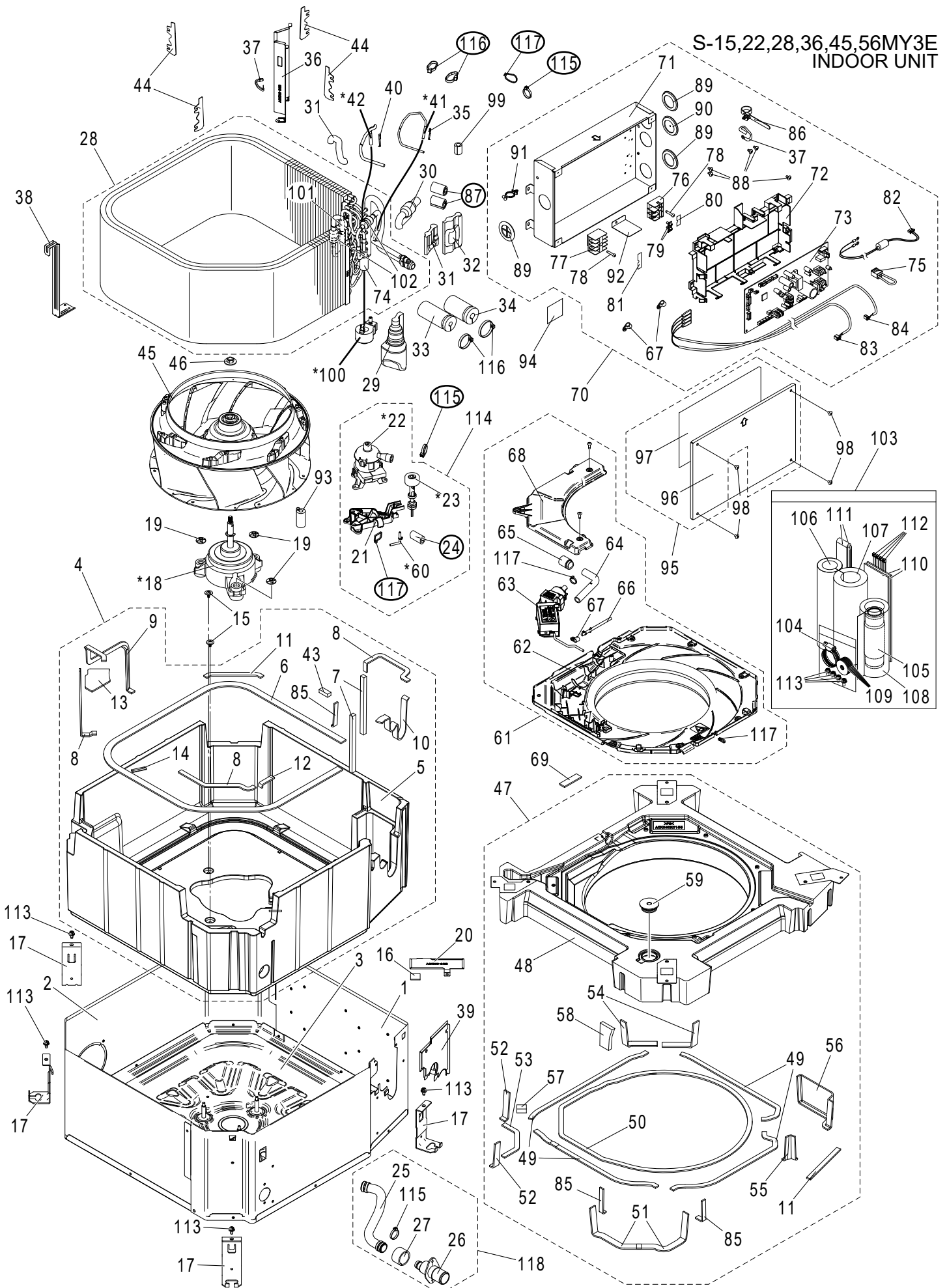
- You are requested to use **RoHS** compliant parts for maintenance or repair.
- You are requested to use lead-free solder.

REFERENCE No.PL 834833-00

—— CONTENTS ——

	Model No.	Page
INDOOR UNIT	S-15MY3E	1
	S-22MY3E	1
	S-28MY3E	1
	S-36MY3E	1
	S-45MY3E	1
	S-56MY3E	1

S-15,22,28,36,45,56MY3E  
INDOOR UNIT



Note1 : \* Take order Parts No.23/No.60 together with No.24 and No.117.

Note2 : \* Take order Parts No.22 together with No.24 and No.115 and No.117.

Note3 : \* Take order Parts No.18 together with No.87 and No.115 and No.117.

Note4 : \* Take order Parts No.41/No.42/No.100 together with No.87 and No.116.

# ATTENTION!

To ensure correct parts supply, please let us know the following,

Part No. when you make service parts order:

S-15,22,28,36,45,56MY3E

1.Part No. 2.Description 3.Q'ty 4.Volts-Hz-Ph 5.Product Model No.

INDOOR UNIT

KeyNo.	Description	15 Q'ty	22 Q'ty	28 Q'ty	36 Q'ty	45 Q'ty	56 Q'ty	Reference No.
1	CABINET SIDE PLATE	1	1	1	1	1	1	ACXE04-11630
2	CABINET SIDE PLATE	1	1	1	1	1	1	ACXE04-11640
3	CABINET TOP PLATE ASSY	1	1	1	1	1	1	ACXE03K01180
* 4	FOAMED STYRENE COMPLETE	1	1	1	1	1	1	ACXG07C00830
5	FOAMED STYRENE ASSY	1	1	1	1	1	1	ACXG07K00310
6	ADH.EPT SEAL	1	1	1	1	1	1	ACXG32-05360
7	ADH.EPT SEAL	2	2	2	2	2	2	ACXG32-05370
8	ADH.EPT SEAL	3	3	3	3	3	3	ACXG32-05380
9	ADH.EPT SEAL	1	1	1	1	1	1	ACXG32-05510
10	ADH.EPT SEAL	1	1	1	1	1	1	ACXG32-05620
11	ADH.EPT SEAL	2	2	2	2	2	2	ACXG32-05820
12	ADH.EPT SEAL	1	1	1	1	1	1	ACXG32-05830
13	ADH.EPT SEAL	1	1	1	1	1	1	ACXG32-05840
14	ADH. POLY-E. FOAM	1	1	1	1	1	1	ACXG12-34520
15	SCREW-COMPLETE	2	2	2	2	2	2	CWH55C1042
16	ADH. POLY-E. FOAM	1	1	1	1	1	1	ACXG12-34880
17	PARTICULAR PLATE	4	4	4	4	4	4	ACXD90-24590A
* 18	DC MOTORS (BRUSHLESS GENERAL USE)	1	1	1	1	1	1	L6CBYYL0348
19	NUT	3	3	3	3	3	3	ACXH56-01300
20	PARTICULAR PLATE	1	1	1	1	1	1	ACXD90-24620
21	PARTICULAR PIECE	1	1	1	1	1	1	ACXD93-21121
* 22	PUMP	1	1	1	1	1	1	ACXB53-00800
* 23	OVER LOAD PROTECTOR	1	1	1	1	1	1	ACXA12-01300
24	ADH.EPT SEAL	1	1	1	1	1	1	ACXG32-05390
25	FLEXIBLE PIPE-COMPLETE	1	1	1	1	1	1	ACXH85C00750
26	DRAIN NOZZLE	1	1	1	1	1	1	ACXH41-00620
27	ADH.EPT SEAL	1	1	1	1	1	1	ACXG32-05400
28	FIN & TUBE EVAPORATER-COMPLETE	1	1	1	1			ACXB30C36120
28	FIN & TUBE EVAPORATER-COMPLETE					1	1	ACXB30C36110
29	BUTYL TAPE	1	1	1	1	1	1	KG3AF140-140
30	BUTYL TAPE	1	1	1	1	1	1	ACXKG3AF80-100
31	BUTYL TAPE	2	2	2	2	2	2	ACXKG3AF40-100
32	BUTYL TAPE	1	1	1	1	1	1	ACXKG3AF60-140
33	ADH. POLY-E. FOAM	1	1	1	1	1	1	ACXG12-34400
34	ADH. POLY-E. FOAM	1	1	1	1	1	1	ACXG12-34410
35	PLATE SPRING	1	1	1	1	1	1	CWH711010
36	PARTICULAR PLATE	1	1	1	1	1	1	ACXD90-24600
37	BAND	2	2	2	2	2	2	CWH88087
38	PARTICULAR PLATE	1	1	1	1	1	1	ACXD90-24610
39	PARTICULAR PLATE-COMPLETE	1	1	1	1	1	1	ACXD90C04250
40	PLATE SPRING	1	1	1	1	1	1	CWH711013
* 41	THERMISTOR (HEAT EXCHANGER TEMP - E1)	1	1	1	1	1	1	ACXA50C15880
* 42	THERMISTOR (HEAT EXCHANGER TEMP - E3)	1	1	1	1	1	1	ACXA50C18560
43	ADH.EPT SEAL	1	1	1	1	1	1	ACXG32-06470
44	PARTICULAR PLATE	4	4	4	4	4	4	ACXD90-26320
45	FAN ASSY	1	1	1	1	1	1	ACXH03K01140
46	NUT	1	1	1	1	1	1	ACXH56-00390
* 47	DRAIN PAN-COMPLETE	1	1	1	1	1	1	ACXH40C01501
48	DRAIN PAN ASSY	1	1	1	1	1	1	ACXH40K01551
49	ADH.EPT SEAL	4	4	4	4	4	4	ACXG32-05780

NOTE: Metal and plastic parts will be supplied basically with necessary heat insulation pads or packing.  
Some parts are safety parts.  
Each key number with an asterisk (\*) means the recommended service parts.

# ATTENTION!

To ensure correct parts supply, please let us know the following,

Part No. when you make service parts order:

S-15,22,28,36,45,56MY3E

1.Part No. 2.Description 3.Q'ty 4.Volts-Hz-Ph 5.Product Model No.

INDOOR UNIT

KeyNo.	Description	15 Q'ty	22 Q'ty	28 Q'ty	36 Q'ty	45 Q'ty	56 Q'ty	Reference No.
50	ADH.EPT SEAL	1	1	1	1	1	1	ACXG32-05410
51	ADH.EPT SEAL	2	2	2	2	2	2	ACXG32-05420
52	ADH.EPT SEAL	2	2	2	2	2	2	ACXG32-05810
53	ADH.EPT SEAL	1	1	1	1	1	1	ACXG32-05430
54	ADH.EPT SEAL	2	2	2	2	2	2	ACXG32-05440
55	ADH.EPT SEAL	1	1	1	1	1	1	ACXG32-05460
56	ADH.EPT SEAL	1	1	1	1	1	1	ACXG32-05480
57	ADH. POLY-E. FOAM	1	1	1	1	1	1	ACXG12-34510
58	ADH. POLY-E. FOAM	1	1	1	1	1	1	ACXG12-34970
59	PLUG	1	1	1	1	1	1	ACXB82-00720
*	60 THERMISTOR (DISCHARGE AIR TEMP - BL)	1	1	1	1	1	1	ACXA50C18570
*	61 AIR GUIDER B.W.COMPLETE	1	1	1	1	1	1	ACXD32C00391
	62 AIR GUIDER B.W.	1	1	1	1	1	1	ACXD32-01321
*	63 PARTICULAR PLATE-COMPLETE	1	1	1	1	1	1	ACXD90C05141
	64 NOZZLE	1	1	1	1	1	1	ACXH43-00490
	65 ADH.EPT SEAL	1	1	1	1	1	1	ACXG32-05490
*	66 THERMISTOR (AIR TEMP - TA)	1	1	1	1	1	1	ACXA50C16420
	67 BAND	3	3	3	3	3	3	ACXH88-03060
	68 PARTICULAR PIECE	1	1	1	1	1	1	ACXD93-21820
	69 ADH.EPT SEAL	1	1	1	1	1	1	ACXG32-05500
*	70 CONTROL BOARD-COMPLETE	1						ACXH11C06501
*	70 CONTROL BOARD-COMPLETE		1					ACXH11C06511
*	70 CONTROL BOARD-COMPLETE			1				ACXH11C06521
*	70 CONTROL BOARD-COMPLETE				1			ACXH11C06531
*	70 CONTROL BOARD-COMPLETE					1		ACXH11C06541
*	70 CONTROL BOARD-COMPLETE						1	ACXH11C06551
	71 CONTROL BOARD ASSY	1	1	1	1	1	1	ACXH10K02510
	72 PARTICULAR PIECE	1	1	1	1	1	1	ACXD93-21150
*	73 PC BOARD W/COMPONENT	1						ACXA73C85101
*	73 PC BOARD W/COMPONENT		1					ACXA73C85111
*	73 PC BOARD W/COMPONENT			1				ACXA73C85121
*	73 PC BOARD W/COMPONENT				1			ACXA73C85131
*	73 PC BOARD W/COMPONENT					1		ACXA73C85141
*	73 PC BOARD W/COMPONENT						1	ACXA73C85151
*	74 EXPANSION VALVE	1	1	1	1			CWB051050
*	74 EXPANSION VALVE					1	1	CWB051049
*	75 LEAD WIRE-COMPLETE	1	1	1	1	1	1	ACXA60C83650
*	76 TERMINAL BOARD ASSY	1	1	1	1	1	1	ACXA28K02730
*	77 TERMINAL BOARD	1	1	1	1	1	1	ACXA28-00140
	78 SELF TAPPING SCREW	2	2	2	2	2	2	XTN4+20JFJ
	79 SCREW	2	2	2	2	2	2	ACXH55-07000
	80 CAUTION LABEL	1	1	1	1	1	1	ACXF75-14250
	81 CAUTION LABEL	1	1	1	1	1	1	ACXF75-14260
*	82 LEAD WIRE-COMPLETE	1	1	1	1	1	1	ACXA60C93290
*	83 LEAD WIRE-COMPLETE	1	1	1	1	1	1	ACXA60C82990
*	84 LEAD WIRE-COMPLETE	1	1	1	1	1	1	ACXA60C82970
	85 ADH.EPT SEAL	3	3	3	3	3	3	ACXG32-05450
	86 BAND	1	1	1	1	1	1	ACXH88-01180
	87 ADH.EPT SEAL	2	2	2	2	2	2	ACXG32-05700
	88 SCREW	5	5	5	5	5	5	ACXH55-03840

NOTE: Metal and plastic parts will be supplied basically with necessary heat insulation pads or packing.  
Some parts are safety parts.  
Each key number with an asterisk (\*) means the recommended service parts.

# ATTENTION!

To ensure correct parts supply, please let us know the following,

Part No. when you make service parts order:

1.Part No. 2.Description 3.Q'ty 4.Volts-Hz-Ph 5.Product Model No.

S-15,22,28,36,45,56MY3E

INDOOR UNIT

KeyNo.	Description	15 Q'ty	22 Q'ty	28 Q'ty	36 Q'ty	45 Q'ty	56 Q'ty	Reference No.
89	BUSHING	3	3	3	3	3	3	CWH51134
90	BUSHING	1	1	1	1	1	1	ACXH51-01890
91	BAND	1	1	1	1	1	1	CWH881078
92	PARTICULAR PLATE	1	1	1	1	1	1	ACXD90-26620A
*	93 FILTER FOR EMI/EMC (CORES)	1	1	1	1	1	1	J0KF00000067
94	CAUTION LABEL	1	1	1	1	1	1	ACXF75-11690
95	CONTROL BOARD COVER-COMplete	1	1	1	1	1	1	ACXH13C06300
96	CONTROL BOARD COVER	1	1	1	1	1	1	ACXH13-08220
*	97 WIRING DIAGRAM (CS)	1	1	1	1	1	1	ACXF20-14210
98	MACHINE SCREW	4	4	4	4	4	4	XST4+6FJ
99	RUBBER	1	1	1	1	1	1	CWG251013
*	100 V-COIL COMPLETE	1	1	1	1			ACXA43C07480
*	100 V-COIL COMPLETE					1	1	ACXA43C07470
101	DISCHARGE MUFFLER	1	1	1	1	1	1	CWB121051
102	DISCHARGE MUFFLER	2	2	2	2	2	2	ACXB12-01670
103	ACCESSORY-COMplete	1	1	1	1	1	1	ACXH82C14592
104	WIRE SPRING	1	1	1	1	1	1	CWH722020
105	FLEXIBLE PIPE	1	1	1	1	1	1	CWH851211
106	ADH. POLY-E. FOAM	1	1	1	1	1	1	CWG123094
107	ADH. POLY-E. FOAM	1	1	1	1	1	1	CWG123095
108	ADH. POLY-E. FOAM	1	1	1	1	1	1	CWG123340
109	WASHER	8	8	8	8	8	8	CWH571012J
110	ADH. POLY-E. FOAM	2	2	2	2	2	2	CWG123098
111	ADH. POLY-E. FOAM	2	2	2	2	2	2	CWG123386
112	BAND	4	4	4	4	4	4	CWH881070
113	SCREW	8	8	8	8	8	8	CWH551040J
*	114 PUMP-COMplete	1	1	1	1	1	1	ACXB53C00800
115	BAND	3	3	3	3	3	3	ACXH88-00430
116	BAND	4	4	4	4	4	4	ACXH88-00440
117	BAND	4	4	4	4	4	4	ACXH88-00450
118	FLEXIBLE PIPE-COMplete	1	1	1	1	1	1	ACXH85C00680
-	OPERATING INSTRUCTION	1	1	1	1	1	1	ACXF55-33570
-	INSTALLATION INSTRUCTION	1	1	1	1	1	1	ACXF60-47120

NOTE: Metal and plastic parts will be supplied basically with necessary heat insulation pads or packing.  
Some parts are safety parts.  
Each key number with an asterisk (\*) means the recommended service parts.