

Panasonic

Parts List

File No.

Air Conditioner

! RoHS

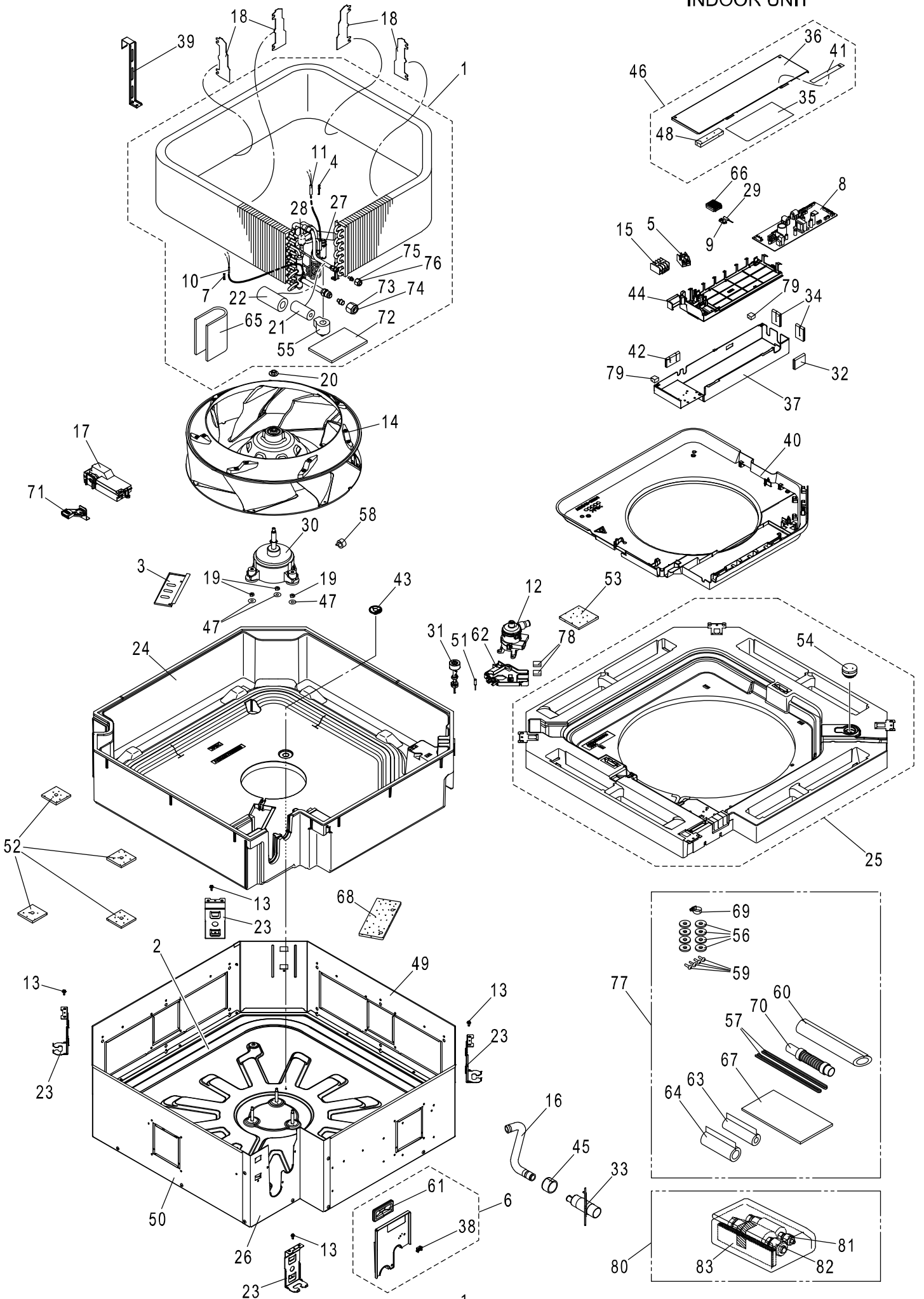
• This product does not contain any hazardous substances prohibited by the **RoHS** Directive.

⚠ WARNING

- You are requested to use **RoHS** compliant parts for maintenance or repair.
- You are requested to use lead-free solder.

REFERENCE No.PL834822-00

S-22,28,36,45,56MU2E5B
 S-60,73,90MU2E5B
 INDOOR UNIT



ATTENTION!

To ensure correct parts supply, please let us know the following.

Part No. when you make service parts order:

1.Part No. 2.Description 3.Q'ty 4.Volts-Hz-Ph 5.Product Model No.

S-22,28,36,45,56MU2E5B

S-60,73,90MU2E5B

INDOOR UNIT

KeyNo.	Description	22 Q't	28 Q't	36 Q't	45 Q't	56 Q't	60 Q't	73 Q't	90 Q't	Reference No.	Available in EyesG21
1	FIN & TUBE EVAPORATER-COMPLETE	1	1	1	-	-	-	-	-	ACXB30C10032	O
1	FIN & TUBE EVAPORATER-COMPLETE	-	-	-	1	1	-	-	-	ACXB30C03432	O
1	FIN & TUBE EVAPORATER-COMPLETE	-	-	-	-	-	1	1	-	ACXB30C03412	O
1	FIN & TUBE EVAPORATER-COMPLETE	-	-	-	-	-	-	-	1	ACXB30C03522	O
2	CABINET TOP PLATE ASSY	1	1	1	1	1	1	1	1	ACXE03K00011	O
3	PARTICULAR PLATE	1	1	1	1	1	1	1	1	ACXD90-00420	
4	PLATE SPRING	1	1	1	1	1	1	1	1	CWH711010	
*	5 TERMINAL BOARD	1	1	1	1	1	1	1	1	ACXA28-00150	O
6	PARTICULAR PLATE-COMPLETE	1	1	1	1	1	1	1	1	ACXD90C00250	O
7	PLATE SPRING	1	1	1	1	1	1	1	1	CWH711013	
*	8 PC BOARD W/COMPONENT	1	-	-	-	-	-	-	-	ACXA73C69090	O
*	8 PC BOARD W/COMPONENT	-	1	-	-	-	-	-	-	ACXA73C69100	O
*	8 PC BOARD W/COMPONENT	-	-	1	-	-	-	-	-	ACXA73C69110	O
*	8 PC BOARD W/COMPONENT	-	-	-	1	-	-	-	-	ACXA73C69120	O
*	8 PC BOARD W/COMPONENT	-	-	-	-	1	-	-	-	ACXA73C69130	O
*	8 PC BOARD W/COMPONENT	-	-	-	-	-	1	-	-	ACXA73C69140	O
*	8 PC BOARD W/COMPONENT	-	-	-	-	-	-	1	-	ACXA73C69150	O
*	8 PC BOARD W/COMPONENT	-	-	-	-	-	-	-	1	ACXA73C69160	O
*	9 THERMISTOR (HUS)	1	1	1	1	1	1	1	1	ACXA50C00610	O
*	10 THERMISTOR (E3)	1	1	1	1	1	1	1	1	ACXA50C00790	O
*	11 THERMISTOR (E1)	1	1	1	1	1	1	1	1	ACXA50C00410	O
*	12 PUMP	1	1	1	1	1	1	1	1	ACXB53-00301	O
13	SCREW	4	4	4	4	4	4	4	4	CWH55406J	
14	FAN ASSY	1	1	1	1	1	1	1	1	ACXH03K00120	O
*	15 TERMINAL BOARD	1	1	1	1	1	1	1	1	ACXA28-00140	O
16	FLEXIBLE PIPE-COMPLETE	1	1	1	1	1	1	1	1	ACXH85C00780	O
17	GENERATOR COMPLETE	1	1	1	1	1	1	1	1	ACXH94C01360	O
18	PARTICULAR PLATE	4	4	4	4	4	4	4	4	ACXD90-00970	O
19	HEXAGON NUT	3	3	3	3	3	3	3	3	XNG6FJ	
20	NUT	1	1	1	1	1	1	1	1	CWH561096	
21	ADH. POLY-E. FOAM	1	1	1	1	1	1	1	1	CWG123265	
22	ADH. POLY-E. FOAM	1	1	1	1	1	1	1	1	CWG123085	
23	PARTICULAR PLATE	4	4	4	4	4	4	4	4	ACXD90-00390	O
24	FOAMED STYRENE COMPLETE	1	1	1	1	1	-	-	-	ACXG07C00061	O
24	FOAMED STYRENE COMPLETE	-	-	-	-	-	1	1	1	ACXG07C00050	O
25	DRAIN PAN-COMPLETE	1	1	1	1	1	1	1	1	ACXH40C00024	O
26	CABINET SIDE PLATE	1	1	1	1	1	1	1	1	ACXE04-00221	O
27	EXPANTION VALVE	1	1	1	-	-	-	-	-	CWB051058	O
27	EXPANTION VALVE	-	-	-	1	1	1	1	1	CWB051059	O
27	EXPANTION VALVE	-	-	-	-	-	-	-	1	CWB051060	O
28	STRAINER	1	1	1	1	1	1	1	1	ACXB11K00350	O
*	29 THERMISTOR (TA)	1	1	1	1	1	1	1	1	ACXA50C00430	O
*	30 DC MOTORS (BRUSHLESS GENERAL USE)	1	1	1	1	1	1	1	1	L6CBYYYYL0185	O
*	31 OVER LOAD PROTECTOR	1	1	1	1	1	1	1	1	ACXA12-00061	O
32	EPT SEAL	1	1	1	1	1	1	1	1	ACXDN3A40-60	
33	DRAIN NOZZLE	1	1	1	1	1	1	1	1	ACXH41-00010	O
34	EPT SEAL	2	2	2	2	2	2	2	2	ACXDN3A30-80	
*	35 WIRING DIAGRAM (CS)	1	1	1	1	1	1	1	1	ACXF20-12420	
36	CONTROL BOARD COVER	1	1	1	1	1	1	1	1	ACXH13-00200	O
37	CONTROL BOARD	1	1	1	1	1	1	1	1	ACXH10-00210	O

NOTE: Metal and plastic parts will be supplied basically with necessary heat insulation pads or packing. Each key number with an asterisk (*) means the recommended service parts.

ATTENTION!

To ensure correct parts supply, please let us know the following.

Part No. when you make service parts order:

1.Part No. 2.Description 3.Q'ty 4.Volts-Hz-Ph 5.Product Model No.

S-22,28,36,45,56MU2E5B

S-60,73,90MU2E5B

INDOOR UNIT

KeyNo.	Description	22 Q't	28 Q't	36 Q't	45 Q't	56 Q't	60 Q't	73 Q't	90 Q't	Reference No.	Available in EyesG21
38	SPACER	1	1	1	1	1	1	1	1	ACXH54-00020	
39	PARTICULAR PLATE	1	1	1	1	1	1	1	1	ACXD90-00450	
40	AIR GUIDER B.W.	1	1	1	1	1	1	1	1	ACXD32-00030	O
41	CAUTION LABEL	1	1	1	1	1	1	1	1	ACXF75-00540	
42	EPT SEAL	1	1	1	1	1	1	1	1	ACXDN3A50-50	
43	RIVET	1	1	1	1	1	1	1	1	ACXH59-00020	
44	PARTICULAR PLATE	1	1	1	1	1	1	1	1	ACXD90-00480	
45	EPT SEAL	1	1	1	1	1	1	1	1	ACXD3A20-120	
46	CONTROL BOARD COVER-COMplete	1	1	1	1	1	1	1	1	ACXH13C06130	O
47	PLAIN WASHER	3	3	3	3	3	3	3	3	XWG6J20FJ	
48	POLY-E.FOAM (FLAME PROOF)	1	1	1	1	1	1	1	1	ACXEN10A20-90	
49	CABINET SIDE PLATE	1	1	1	1	1	1	1	1	ACXE04-00200	O
50	CABINET SIDE PLATE	1	1	1	1	1	1	1	1	ACXE04-00210	O
*	51 THERMISTOR (BL)	1	1	1	1	1	1	1	1	ACXA50C00780	O
52	ADH. POLY-E. FOAM	4	4	4	4	4	4	4	4	ACXG12-00830	
53	EPT SEAL	1	1	1	1	1	1	1	1	ACXD10A80-80	
54	PLUG COMPLETE	1	1	1	1	1	1	1	1	ACXB82C00070	O
*	55 V-COIL COMPLETE	1	1	1	1	1	1	1	1	ACXA43C00760	O
56	PLAIN WASHER	8	8	8	8	8	8	8	8	XWH10J34FJ	
57	ADH. POLY-E. FOAM	2	2	2	2	2	2	2	2	CWG123098	
*	58 FILTER FOR EMI/EMC (CORES)	1	1	1	1	1	1	1	1	J0KF00000066	
59	MACHINE SCREW	4	4	4	4	4	4	4	4	XST5+14FJ	
60	ADH. POLY-E. FOAM	1	1	1	1	1	1	1	1	ACXG12-00460	
61	BUSHING	1	1	1	1	1	1	1	1	ACXH51-00110	
62	PARTICULAR PLATE	1	1	1	1	1	1	1	1	ACXD90-00470	
63	ADH. POLY-E. FOAM	1	1	1	1	1	1	1	1	CWG123094	
64	ADH. POLY-E. FOAM	1	1	1	1	1	1	1	1	CWG123095	
65	BUTYL TAPE	1	1	1	1	1	1	1	1	ACXKG3A120-220	
66	PARTICULAR PIECE	1	1	1	1	1	1	1	1	ACXD93-00820	
67	EPT SEAL	1	1	1	1	1	1	1	1	CWD5A165-300	
68	ADH. POLY-E. FOAM	1	1	1	1	1	1	1	1	ACXG12-00840	
69	WIRE SPRING	1	1	1	1	1	1	1	1	CWH722003	
70	FLEXIBLE PIPE	1	1	1	1	1	1	1	1	CWH851200	O
71	PARTICULAR PIECE-COMplete	1	1	1	1	1	1	1	1	ACXD93C00680	
72	BUTYL TAPE	1	1	1	1	1	1	1	1	ACXKG3A90-140	
73	FLARE NUT (GAS)	1	1	1	1	1	-	-	-	CWT251032	O
74	FLARE NUT (GAS)	-	-	-	-	-	1	1	1	CWT251033	O
75	FLARE NUT (LIQUID)	1	1	1	1	1	-	-	-	CWT251030	O
76	FLARE NUT (LIQUID)	-	-	-	-	-	1	1	1	CWT251031	O
77	ACCESSORY-CO.(FLEXIBLE PIPE)	1	1	1	1	1	1	1	1	ACXH82C00490	O
78	EPT SEAL	2	2	2	2	2	2	2	2	ACXD3A10-30	
79	POLY-E.FOAM	2	2	2	2	2	2	2	2	ACXEN10A10-15	
80	ACCESSORY-COMplete	-	-	-	-	-	1	1	1	ACXH82C10301	
81	TUBE ASSY-COMplete	-	-	-	-	-	1	1	1	ACXT00C32820	
82	TUBE ASSY-COMplete	-	-	-	-	-	1	1	1	ACXT00C27840	
83	ADH. POLY-E. FOAM	-	-	-	-	-	2	2	2	CWG123098	
-	OPERATING INSTRUCTION	1	1	1	1	1	1	1	1	ACXF55-29090	
-	INSTALLATION INSTRUCTION	1	1	1	1	1	1	1	1	ACXF60-41550	

NOTE: Metal and plastic parts will be supplied basically with necessary heat insulation pads or packing. Each key number with an asterisk (*) means the recommended service parts.