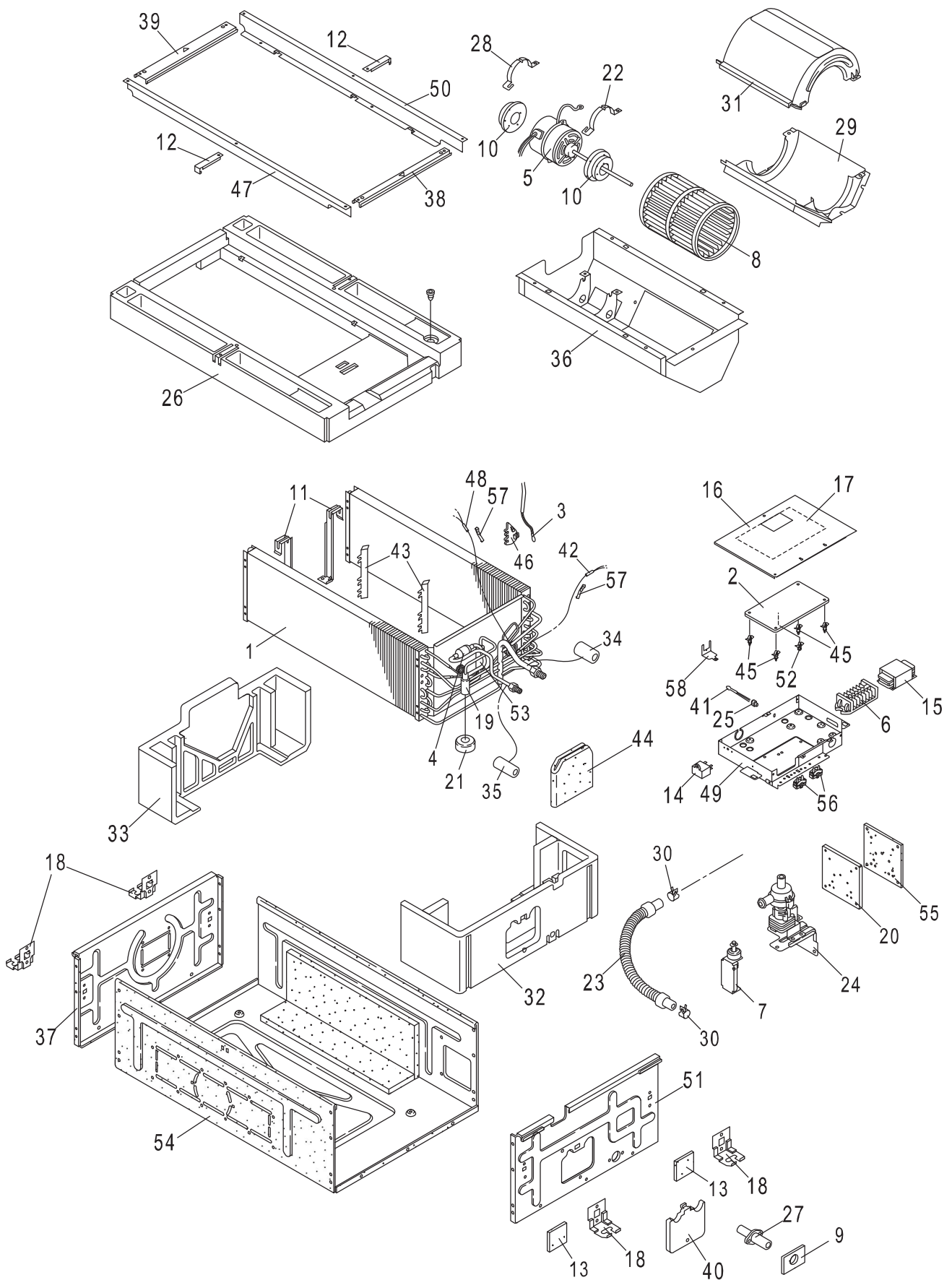


S-56ML1E5  
INDOOR UNIT



# ATTENTION!

To ensure correct parts supply, please let us know followings,  
when you make service parts order:

1.Part No. 2.Description 3.Q'ty 4.Volts-Hz-Ph 5.Product Mode No.

S-56ML1E5  
INDOOR UNIT

KeyNo.	Part No.	Description	Q'ty	Reference No.	
1	CV9231760677	Heat Exch Ass'y	1	8540412435100	
*	2	CV6233168036	Circuit Board Ass'y CB-UXRP71B-PE	1	8549953605846
3	CV9231662902	Thermistor Ass'y(BL) KTEC-35-S93	1	8540525962300	
4	CV9231018969	Strainer Ass'y	1	8540452213100	
*	5	CV6233168029	Fan Motor Ass'y UF4X-31D3P	1	8FA0520209800
*	6	CV9231788015	Terminal Base UKT50-2+15S-5J	1	1FA4J3A023800
7	CV9231697898	Switch Ass'y FS-0218-102	1	8540515204100	
8	CV9380070528	Fan Ass'y	1	8540250122700	
9	CV9380187196	Packing	1	8542136174700	
10	CV9231314207	Cushion Rubber	2	8522251115900	
11	CV9231662605	Support, Evaporator	2	8542223224209	
12	CV9231662599	Mounting Plate	2	8542530919909	
13	CV9231662865	Packing	2	8542136199800	
*	14	CV9380196822	Motor Capacitor CMPS45B155JMF	1	1FJ4C1A011300
*	15	CV9231884021	Transformer Ass'y ATR-IL225A-T-R	1	8FA0526303800
16	CV6233168043	Cover, Elec.Component Box	1	8542530470201	
*	17	CV6233168067	Elec. Wiring Diagram	1	8FA2525086500
18	CV9231662636	Hook Plate	4	8542113025401	
19	CV9231752337	Solenoid Control Valve UKV-25D32	1	8542454820300	
20	CV9231662926	Cover Plate	1	8542230716700	
*	21	CV9231752207	Magnetic Coil(MOV) UKV-U030E	1	1FA4L8A030500
22	CV9231663206	Support Fan Motor	1	8542251631601	
23	CV9380197669	Drain Hose	1	8542429714700	
*	24	CV6233168050	Mot Pump K ADP-1408	1	8FA0526411000
25	CV9230274991	Bushing	1	8002533717900	
26	CV6233168074	Drain Pan Ass'y	1	85402301541H2	
27	CV9380187257	Joint Drain	1	8542233418600	
28	CV9231663213	Support Fan Motor	1	8542251631501	
29	CV9231662674	Blower Casing	1	8542250619600	
*	30	CV9230772206	Clip	2	8542231510301
31	CV9231662667	Blower Casing	1	8542250619700	
32	CV9231743014	Insulation	1	85421413131H1	
33	CV9231743021	Insulation	1	85421413132H1	
34	CV9231662742	Insulation Special	1	8542241132700	
35	CV9231662735	Insulation Special	1	8542241132600	
36	CV9231663466	Partition Plate Ass'y	1	8540251625200	
37	CV9231662834	Side Plate Ass'y, Right	1	8540110828000	
38	CV9231662711	Cover, Drain Pan	1	8542234317309	
39	CV9231662704	Cover, Drain Pan	1	8542234317409	
40	CV9231752603	Side Cover Ass'y, Left	1	85421107433H1	
*	41	CV6233168081	Thermistor(TA) KTEC-35-S126-2	1	1FA4V2E052700
*	42	CV6233026374	Thermistor(E1) PB2M-41E-S3-3	1	1FA4V2E038800
43	CV9380059448	Guide	2	8542235214101	
44	CV9380207221	Vibration Insulation	1	8542247517200	
*	45	CV9230965967	Spacer SPLSN-4	4	8512536603700
46	CV9380121916	Mounting Thermistor	1	8262530311100	
47	CV9231663473	PI Mtg Dr Pan	1	8542233322409	
*	48	CV6233026367	Thermistor(E3) PB2M-41E-S5-2	1	1FA4V2E039000
49	CV6233168098	Elec Component Box Ass'y	1	8540531117001	
50	CV9231663480	PI Mtg Dr Pan	1	8542233322709	

NOTE: Metal and plastic parts will be supplied basically with necessary heat insulation pads or packing. Each key number with an asterisk (\*) means the recommended service parts.

## ATTENTION!

To ensure correct parts supply, please let us know followings,  
when you make service parts order:

1.Part No. 2.Description 3.Q'ty 4.Volts-Hz-Ph 5.Product Mode No.

S-56ML1E5  
INDOOR UNIT

KeyNo.	Part No.	Description	Q'ty	Reference No.	
51	CV9231662841	Side Panel Ass'y, Left	1	8540110727500	
*	52	CV9230965974	Spacer SPSN-4	1	8512536604100
53	CV9231761551	Strainer Ass'y	1	8540452228600	
54	CV9231663510	Cabinet Plate Ass'y	1	8549953604708	
55	CV9231697997	Insulation	1	8542140886600	
*	56	CV9231407596	Clip Wire	2	8522530416700
*	57	CV9231485877	Mounting Thermostat	2	8522530322401
58	CV6233168128	Mounting Plate	1	8542530945201	
	CV6233164939	Operation Manual	1	8546460907001	
	CV6233168968	Installation Instructions	1	8546436944800	
	CV6233168104	Installation Instructions	1	8546436933701	

NOTE: Metal and plastic parts will be supplied basically  
with necessary heat insulation pads or packing.  
Each key number with an asterisk (\*) means the  
recommended service parts.