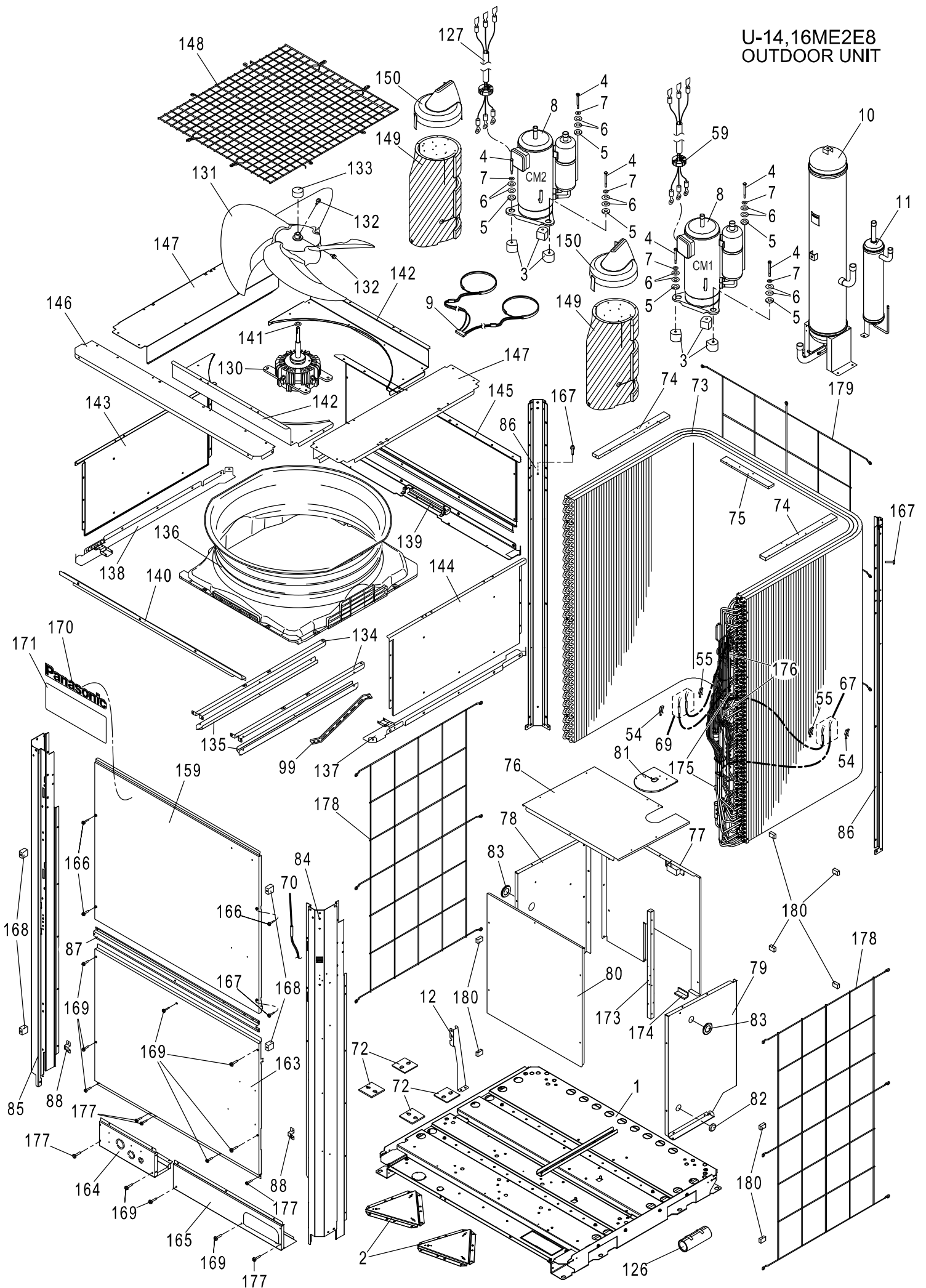
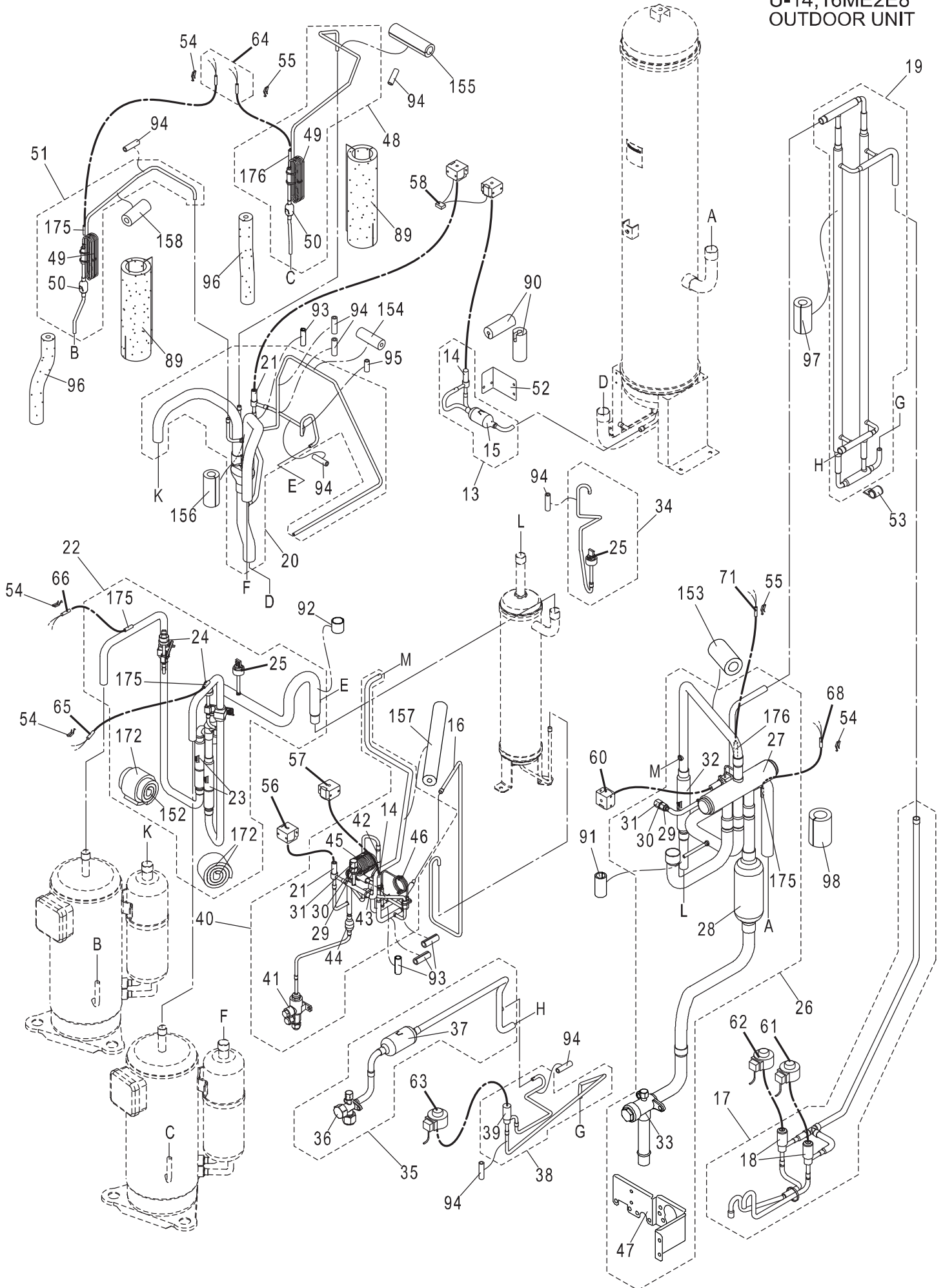


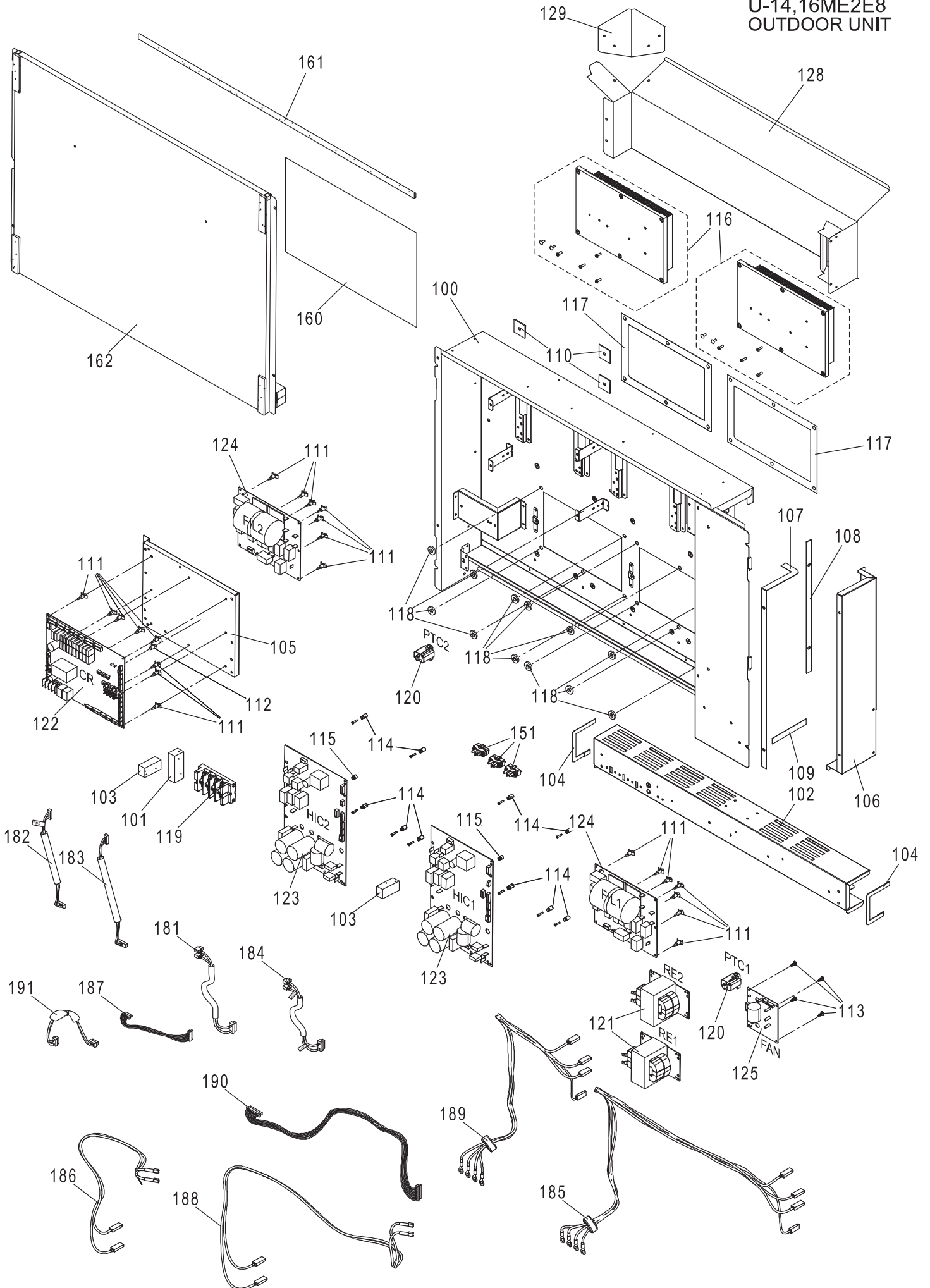
U-14,16ME2E8
OUTDOOR UNIT



U-14,16ME2E8
OUTDOOR UNIT



U-14,16ME2E8
OUTDOOR UNIT



ATTENTION!

To ensure correct parts supply ,please let us know the following,

Part No. when you make service parts order:

U-14,16ME2E8

1.Part No. 2.Description 3.Q'ty 4.Volts-Hz-Ph 5.Product Model No.

OUTDOOR UNIT

KeyNo.	Description	14Q'ty	16Q'ty	Reference No.	Available in EyesG21
1	BASE PAN-COMPLETE	1	1	CWD52C1033	o
2	PARTICULAR PLATE COMPLETE	2	2	CWD91C0268A	
3	ANTI-VIBRATION BUSHING	6	6	CWH501110	o
4	SCREW	6	6	CWH551325	o
5	SPACER	6	6	CWH541154	o
6	PLAIN WASHER	12	12	CWXWE65H30V	
7	WASHER	6	6	CWH571081	
*	8 COMPRESSOR (CWB092817)	2	2	5JD650ZCA22	o
*	9 HEATER	1	1	CWA341106	o
10	ACCUMULATOR ASSY	1	1	CWB13K1092	o
11	OIL SEPARATER	1	1	CWB161017	o
12	PARTICULAR PLATE	1	1	CWD912658	
*	13 2-WAYS VALVE ASSY	1	1	CWB02K1003	
*	14 2-WAYS VALVE (ORVR, ACV)	2	2	CWB021604	o
15	STRAINER	1	1	CWB111092	o
16	MULTIBENT TUBE	1	1	CWT342718	
*	17 EXPANTION VALVE ASSY	1	1	ACXB05K00250	
*	18 EXPANTION VALVE (MOV1, MOV2)	2	2	CWB051072X	o
19	TUBE ASSY	1	1	CWT028395	
*	20 2-WAYS VALVE ASSY	1	1	CWB02K1004	
*	21 2-WAYS VALVE (BPV, SAVE)	2	2	CWB021580	o
22	TUBE ASSY	1	1	ACXT00-03320	
23	CHECK VALVE	2	2	CWB031110	o
*	24 PRESSURE SWITCH	2	2	CWA101033	o
*	25 PRESSURE SENSING DEVICE	2	2	CWA501463	o
*	26 4-WAYS VALVE ASSY	1	1	CWB00K1104	
*	27 4-WAYS VALVE (20S)	1	1	CWB001112	o
28	STRAINER	1	1	CWB111072	o
29	TUBE CONNECTER	2	2	CWT291170	
30	CHECK VALVE	2	2	CWB031094	o
31	CAP	2	2	CWH521254	
32	CHECK VALVE	1	1	CWB031111	o
33	3-WAYS VALVE	1	1	CWB011855	o
34	TUBE ASSY	1	1	CWT030434	
35	TUBE ASSY	1	1	CWT030439	
36	3-WAYS VALVE	1	1	CWB011852	o
37	STRAINER	1	1	CWB111067	o
*	38 EXPANTION VALVE ASSY	1	1	CWB05K1014	
*	39 EXPANTION VALVE (MOV4)	1	1	CWB051050	o
40	TUBE ASSY	1	1	CWT030442	
41	3-WAYS VALVE	1	1	CWB011692	o
42	CHECK VALVE	1	1	CWB031102	o
43	STRAINER	1	1	CWB111068	o
44	STRAINER	1	1	CWB111069	o
*	45 CAPILLARY TUBE	1	1	CWB153235	o
*	46 CAPILLARY TUBE	1	1	CWB153236	o
47	PARTICULAR PLATE	1	1	CWD912648	
*	48 CAPILLARY TUBE ASSY	1	1	CWB15K1579	
*	49 CAPILLARY TUBE	2	2	CWB153237	o
50	STRAINER	2	2	CWB111070	o

NOTE: Metal and plastic parts will be supplied basically with necessary heat insulation pads or packing. Each key number with an asterisk (*) means the recommended service parts.

ATTENTION!

To ensure correct parts supply ,please let us know the following,

Part No. when you make service parts order:

U-14,16ME2E8

1.Part No. 2.Description 3.Q'ty 4.Volts-Hz-Ph 5.Product Model No.

OUTDOOR UNIT

KeyNo.	Description	14Q'ty	16Q'ty	Reference No.	Available in EyesG21
* 51	CAPILLARY TUBE ASSY	1	1	CWB15K1580	
52	L-PIECE	1	1	CWD701186	
53	C-PIECE-COMPLETE	1	1	CWD79C1002	
54	PLATE SPRING	6	6	CWH711013	
55	PLATE SPRING	4	4	CWH711025	
* 56	V-COIL COMPLETE (BPV)	1	1	CWA43C2669	o
* 57	V-COIL COMPLETE (ORVR)	1	1	CWA43C2672	o
* 58	V-COIL COMPLETE (ACV,SAVE)	1	1	CWA43C2676	o
* 59	LEAD WIRE-COMPLETE (CM1)	1	1	CWA68C2198	
* 60	V-COIL COMPLETE (20S)	1	1	ACXA43C00080	o
* 61	V-COIL COMPLETE (MOV1)	1	1	CWA43C2679X	o
* 62	V-COIL COMPLETE (MOV2)	1	1	CWA43C2681X	o
* 63	V-COIL COMPLETE (MOV4)	1	1	CWA43C2682	o
* 64	THERMISTOR (OIL1,2)	1	1	CWA50C3340	o
* 65	THERMISTOR (DISCH1)	1	1	CWA50C3342	o
* 66	THERMISTOR (DISCH2)	1	1	CWA50C3344	o
* 67	THERMISTOR (EXL1,2)	1	1	CWA50C3346	o
* 68	THERMISTOR (SCT)	1	1	CWA50C3355	o
* 69	THERMISTOR (EXG1,2)	1	1	CWA50C3349	o
* 70	THERMISTOR (TO)	1	1	CWA50C3336	o
* 71	THERMISTOR (SCG)	1	1	CWA50C3352	o
72	SPACER	4	4	CWH541156	
73	FIN & TUBE CONDENSER COMPLETE	1	1	CWB32C4205	o
74	EPT SEAL	2	2	CWD15A35-450	
75	EPT SEAL	1	1	CWD10A35-300	
76	SOUND-PROOF BOARD	1	1	CWH151415	
77	SOUND-PROOF BOARD ASSY	1	1	CWH15K1082	
78	SOUND-PROOF BOARD ASSY	1	1	CWH15K1083	
79	SOUND-PROOF BOARD ASSY	1	1	CWH15K1084	
80	SOUND-PROOF BOARD	1	1	CWH151416	
81	RUBBER	1	1	CWG251091	
82	RUBBER	1	1	CWG251068	
83	RUBBER	2	2	CWG251069	
84	CABINET SIDE PLATE ASSY	1	1	CWE04K1199A	o
85	CABINET SIDE PLATE	1	1	CWE041843A	o
86	CABINET SIDE PLATE	2	2	CWE041844A	o
87	PARTICULAR PLATE	1	1	CWD912657	
88	PARTICULAR PIECE	2	2	CWD934068	
89	ADH. POLY-E. FOAM	2	2	CWG123162	
90	ADH. POLY-E. FOAM	2	2	CWG123541	
91	RUBBER	1	1	CWG251065	
92	RUBBER	1	1	CWG251066	
93	RUBBER	4	4	CWG251062	
94	RUBBER	8	8	CWG251059	
95	RUBBER	1	1	CWG251058	
96	ADH. POLY-E. FOAM	2	2	CWG123542	
97	ADH. POLY-E. FOAM	1	1	CWG123545	
98	ADH. POLY-E. FOAM	1	1	CWG123547	
99	PARTICULAR PLATE	1	1	CWD912644	
100	CONTROL BOARD ASSY	1	1	CWH10K1260	

NOTE: Metal and plastic parts will be supplied basically with necessary heat insulation pads or packing. Each key number with an asterisk (*) means the recommended service parts.

ATTENTION!

To ensure correct parts supply ,please let us know the following,

Part No. when you make service parts order:

U-14,16ME2E8

1.Part No. 2.Description 3.Q'ty 4.Volts-Hz-Ph 5.Product Model No.

OUTDOOR UNIT

KeyNo.	Description	14Q'ty	16Q'ty	Reference No.	Available in EyesG21
101	EPT SEAL (FLAMEPROOF)	1	1	CWDN20A30-75	
102	DUCT ASS.Y	1	1	CWD22K1003	
103	EPT SEAL (FLAMEPROOF)	2	2	CWDN20A25-55	
104	ADH. POLY-E. FOAM	2	2	CWG123548	
105	PARTICULAR PLATE	1	1	CWD912663	
106	DUCT	1	1	CWD221091	
107	ADH. POLY-E. FOAM	1	1	CWG123549	
108	ADH. POLY-E. FOAM	1	1	CWG123550	
109	POLY-E.FOAM	1	1	CWE2A15-110	
110	ADH. POLY-E. FOAM	3	3	CWG123558	
111	SPACER	22	22	CWH541203	
112	SPACER	1	1	CWH541204	
113	SPACER	4	4	CWH541205	
114	SPACER	10	10	CWH541206	
115	SPACER	2	2	CWH541207	
116	HEATSINK	2	2	ACXA58K00010	
117	INSULATION	2	2	CWA621014	
118	SPACER	12	12	CWH541153	
* 119	TERMINAL BOARD ASSY	1	1	CWA28K1271	o
* 120	PTC THERMISTORS	2	2	D4DDG1010001	o
* 121	FIXED INDUCTORS	2	2	G0C252K00001	o
* 122	PC BOARD W/COMPONENT	1	1	CWA73C9052	o
* 123	ELEC.CONTROLLER-COMPLETE(HIC)	2	2	CWA73C9053	o
* 124	ELECTRONIC CONTROLLER (FIL)	2	2	ACXA73-30540	o
* 125	ELECTRONIC CONTROLLER (FAN)	1	1	ACXA73-36140	o
126	ACCESSORY-COMPLETE		1	CWH82C1867	
* 127	LEAD WIRE-COMPLETE (CM2)	1	1	CWA68C2199	
128	DUCT ASS.Y	1	1	CWD22K1005	
129	PARTICULAR PLATE	1	1	CWD912665	
* 130	MOTOR (LARGE DC)	1	1	CWDMSBG75SY	o
* 131	FAN ASSY	1	1	CWH03K1082	o
132	BOLT	2	2	CWXVG6A10FJ4	o
133	CAP	1	1	CWH521248	
134	FAN MOTOR BRACKET	2	2	CWD541258	
135	AIR REGULATING PLATE	2	2	CWD211007	
136	AIR GUIDER P.F.	1	1	CWD311030	o
137	FAN MOTOR BRACKET ASSY	1	1	CWD54K1087	
138	FAN MOTOR BRACKET ASSY	1	1	CWD54K1088	
139	FAN MOTOR BRACKET ASSY	1	1	CWD54K1090	
140	FAN MOTOR BRACKET	1	1	CWD541261	
141	SPACER	1	1	CWH541158	o
142	CABINET TOP PLATE-COMPLETE	2	2	CWE03C1171	
143	CABINET SIDE PLATE	1	1	CWE041845A	o
144	CABINET SIDE PLATE	1	1	CWE041846A	o
145	CABINET REAR PLATE	1	1	CWE021132A	o
146	CABINET TOP PLATE	1	1	CWE031226A	
147	CABINET TOP PLATE	2	2	CWE031227A	
148	WIRE NET ASSY	1	1	CWD04K1004A	
149	SOUND PROOF MATERIAL	2	2	CWG302976	o
150	RAIN COVER-COMPLETE	2	2	CWH81C1005	

NOTE: Metal and plastic parts will be supplied basically with necessary heat insulation pads or packing. Each key number with an asterisk (*) means the recommended service parts.

ATTENTION!

To ensure correct parts supply ,please let us know the following,
Part No. when you make service parts order:

U-14,16ME2E8
OUTDOOR UNIT

1.Part No. 2.Description 3.Q'ty 4.Volts-Hz-Ph 5.Product Model No.

KeyNo.	Description	14Q'ty	16Q'ty	Reference No.	Available in EyesG21
151	HOLDER-P.S. CORD	3	3	CWH311080	
152	BUTYL TAPE	1	1	KG8AF70-160	
153	ADH. POLY-E. FOAM	1	1	CWG123167	
154	ADH. POLY-E. FOAM	1	1	CWG123551	
155	RUBBER	1	1	CWG251060	
156	ADH. POLY-E. FOAM	1	1	CWG123173	
157	ADH. POLY-E. FOAM	1	1	CWG123553	
158	ADH. POLY-E. FOAM	2	2	CWG123163	
159	CABINET FRONT PLATE-COMplete	1	1	CWE06C1549	o
160	WIRING DIAGRAM (CU)	1	1	ACXF22-01170	
161	POLY-E.FOAM	1	1	CWE2A25-880	
162	CONTROL BOARD COVER-COMplete	1	1	CWH13C1347	
163	CABINET FRONT PLATE	1	1	CWE061391A	o
164	CABINET FRONT PLATE-COMplete	1	1	CWE06C1550	o
165	CABINET FRONT PLATE-COMplete	1	1	CWE06C1552	o
166	SCREW	3	3	CWH551333A	
167	SCREW	3	3	CWH551332A	
168	SPACER	4	4	CWH541152	
169	SCREW	10	10	CWH551448	
170	BADGE	1	1	CWE373439	
171	BADGE	1	1	ACXE37-02510	
172	BUTYL TAPE	3	3	KG8AF40-130	
173	EPT SEAL	1	1	CWD20A20-580	
174	EPT SEAL	1	1	CWD3A40-60	
175	STRAIGHT TUBE	6	6	CWT102194	
176	STRAIGHT TUBE	4	4	CWT103083	
177	SCREW	5	5	CWH551326A	
178	WIRE NET.RESIN NET	2	2	ACXD04-00050A	
179	WIRE NET.RESIN NET	1	1	ACXD04-00070A	
180	EPT SEAL (FLAMEPROOF)	8	8	CWDN20A20-30	
* 181	LEAD WIRE-COMplete (63PH (L)	1	1	CWA68C2173	
* 182	LEAD WIRE-COMplete (HPS)	1	1	CWA68C2175	
* 183	LEAD WIRE-COMplete (LPS)	1	1	CWA68C2177	
* 184	LEAD WIRE-COMplete (63PH (R)	1	1	CWA68C2178	
* 185	LEAD WIRE-COMplete (TB-FIL (R)	1	1	CWA68C2185	
* 186	LEAD WIRE-COMplete (RE (R)	1	1	CWA68C2187	
* 187	LEAD WIRE-COMplete (L-POW (R)	1	1	CWA68C2188	
* 188	LEAD WIRE-COMplete (RE (L)	1	1	CWA68C2189	
* 189	LEAD WIRE-COMplete (TB-FIL (L)	1	1	CWA68C2190	
* 190	LEAD WIRE-COMplete (HIC2)	1	1	CWA68C2191	
* 191	LEAD WIRE-COMplete (CR-AC-IN)	1	1	CWA68C2192	
-	INSTALLATION INSTRUCTION	1	1	ACXF60-03480	
-	OPERATING INSTRUCTION	1	1	ACXF55-03680	

NOTE: Metal and plastic parts will be supplied basically with necessary heat insulation pads or packing. Each key number with an asterisk (*) means the recommended service parts.