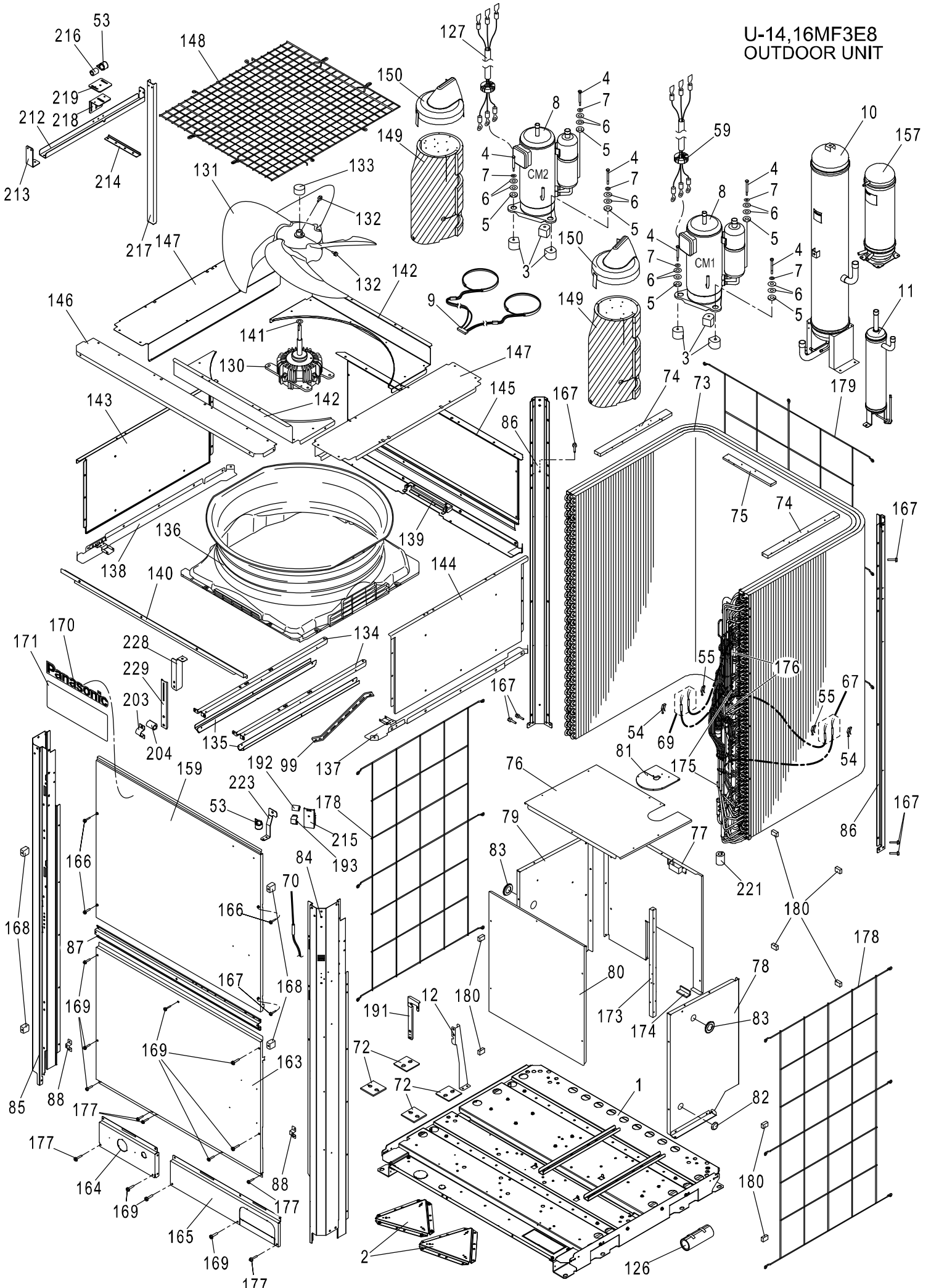
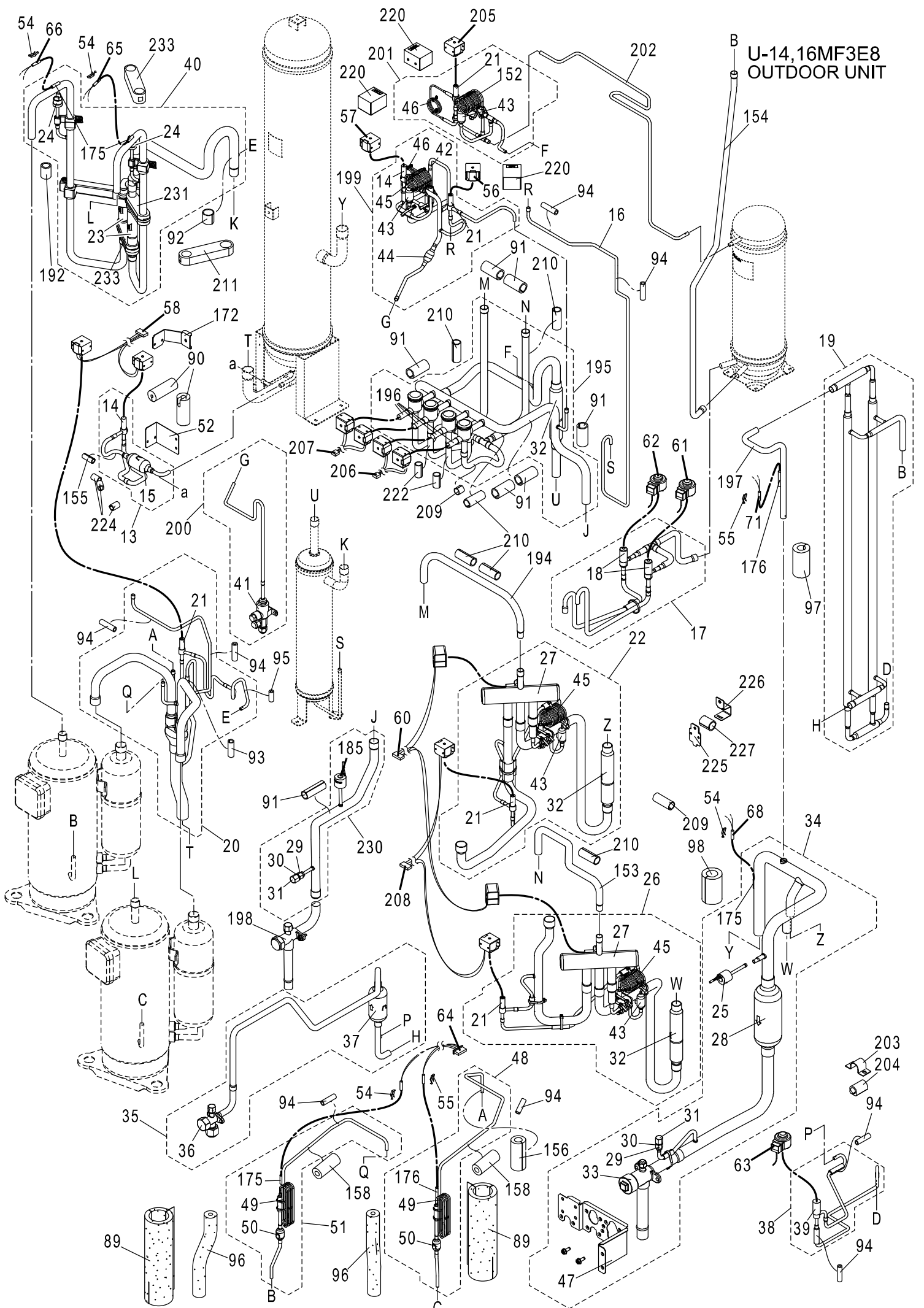


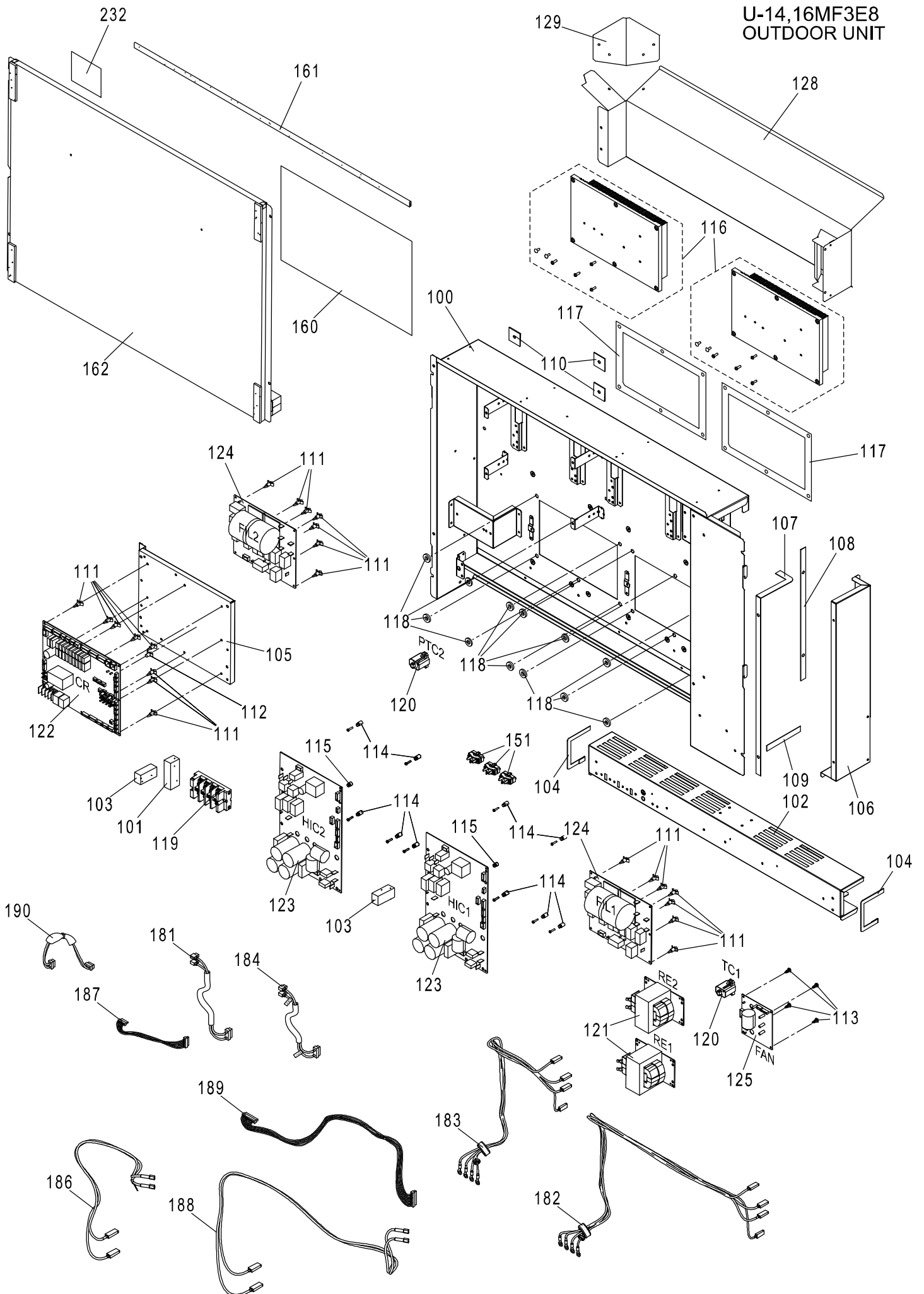
U-14,16MF3E8  
OUTDOOR UNIT



U-14,16MF3E8  
OUTDOOR UNIT



U-14,16MF3E8  
OUTDOOR UNIT



# ATTENTION!

To ensure correct parts supply, please let us know the following,

Part No. when you make service parts order:

U-14,16MF3E8

1.Part No. 2.Description 3.Q'ty 4.Volts-Hz-Ph 5.Product Model No.

OUTDOOR UNIT

| KeyNo. | Description                      | 14Q'ty | 16Q'ty | Reference No. | Available in EyesG21 |
|--------|----------------------------------|--------|--------|---------------|----------------------|
| 1      | BASE PAN-COMPLETE                | 1      | 1      | ACXD52C00520  |                      |
| 2      | PARTICULAR PLATE COMPLETE        | 2      | 2      | CWD91C0268A   |                      |
| 3      | ANTI-VIBRATION BUSHING           | 6      | 6      | CWH501110     | o                    |
| 4      | SCREW                            | 6      | 6      | CWH551325     | o                    |
| 5      | SPACER                           | 6      | 6      | CWH541154     | o                    |
| 6      | PLAIN WASHER                     | 12     | 12     | XWE65H30V     | o                    |
| 7      | WASHER                           | 6      | 6      | CWH571081     | o                    |
| *      | 8 COMPRESSOR (ACXB09-05100)      | 2      | 2      | 5JD650ZCA22   | o                    |
| *      | 9 HEATER                         | 1      | 1      | CWA341106     | o                    |
| 10     | ACCUMULATOR ASSY                 | 1      | 1      | CWB13K1092    | o                    |
| 11     | OIL SEPARATER                    | 1      | 1      | CWB161017     | o                    |
| 12     | PARTICULAR PLATE                 | 1      | 1      | CWD912658     |                      |
| *      | 13 2-WAYS VALVE ASSY             | 1      | 1      | ACXB02K00110  |                      |
| *      | 14 2-WAYS VALVE                  | 2      | 2      | CWB021604     | o                    |
| 15     | STRAINER                         | 1      | 1      | CWB111092     | o                    |
| 16     | MULTIBENT TUBE                   | 1      | 1      | ACXT30-83220  |                      |
| *      | 17 EXPANTION VALVE ASSY          | 1      | 1      | ACXB05K00210  |                      |
| *      | 18 EXPANTION VALVE               | 2      | 2      | ACXB05-01010  | o                    |
| 19     | TUBE ASSY                        | 1      | 1      | CWT028395     |                      |
| *      | 20 2-WAYS VALVE ASSY             | 1      | 1      | ACXB02K00080  |                      |
| *      | 21 2-WAYS VALVE                  | 5      | 5      | CWB021580     | o                    |
| 22     | 4-WAYS VALVE ASSY                | 1      | 1      | ACXB00K00820  |                      |
| 23     | CHECK VALVE                      | 2      | 2      | CWB031110     | o                    |
| *      | 24 PRESSURE SWITCH               | 2      | 2      | CWA101033     | o                    |
| *      | 25 PRESSURE SENSING DEVICE (LPS) | 1      | 1      | ACXA50-04600  | o                    |
| *      | 26 4-WAYS VALVE ASSY             | 1      | 1      | ACXB00K00720  |                      |
| *      | 27 4-WAYS VALVE                  | 2      | 2      | CWB001094     | o                    |
| 28     | STRAINER                         | 1      | 1      | CWB111072     | o                    |
| 29     | TUBE CONNECTER                   | 2      | 2      | CWT291170     |                      |
| 30     | CHECK VALVE                      | 2      | 2      | CWB031094     | o                    |
| 31     | CAP                              | 2      | 2      | CWH521254     |                      |
| 32     | CHECK VALVE                      | 3      | 3      | CWB031111     | o                    |
| 33     | 3-WAYS VALVE                     | 1      | 1      | ACXB01-03810  | o                    |
| 34     | TUBE ASSY                        | 1      | 1      | ACXT00-52080  |                      |
| 35     | TUBE ASSY                        | 1      | 1      | ACXT00-51980  |                      |
| 36     | 3-WAYS VALVE                     | 1      | 1      | CWB011852     | o                    |
| 37     | STRAINER                         | 1      | 1      | CWB111067     | o                    |
| *      | 38 EXPANTION VALVE ASSY          | 1      | 1      | ACXB05K00200  |                      |
| *      | 39 EXPANTION VALVE               | 1      | 1      | CWB051050     | o                    |
| 40     | TUBE ASSY                        | 1      | 1      | ACXT00-52210  |                      |
| 41     | 3-WAYS VALVE                     | 1      | 1      | CWB011692     | o                    |
| 42     | CHECK VALVE                      | 1      | 1      | CWB031102     | o                    |
| 43     | STRAINER                         | 4      | 4      | CWB111068     | o                    |
| 44     | STRAINER                         | 1      | 1      | CWB111069     | o                    |
| *      | 45 CAPILLARY TUBE                | 3      | 3      | CWB153235     | o                    |
| *      | 46 CAPILLARY TUBE                | 2      | 2      | CWB153236     | o                    |
| 47     | PARTICULAR PLATE                 | 1      | 1      | ACXD90-21450  |                      |
| *      | 48 CAPILLARY TUBE ASSY           | 1      | 1      | CWB15K1579    | o                    |
| *      | 49 CAPILLARY TUBE                | 2      | 2      | CWB153237     | o                    |
| 50     | STRAINER                         | 2      | 2      | CWB111070     | o                    |

NOTE: Metal and plastic parts will be supplied basically with necessary heat insulation pads or packing. Each key number with an asterisk (\*) means the recommended service parts.

# ATTENTION!

To ensure correct parts supply, please let us know the following,

Part No. when you make service parts order:

U-14,16MF3E8

1.Part No. 2.Description 3.Q'ty 4.Volts-Hz-Ph 5.Product Model No.

OUTDOOR UNIT

| KeyNo. | Description                   | 14Q'ty | 16Q'ty | Reference No. | Available in EyesG21 |
|--------|-------------------------------|--------|--------|---------------|----------------------|
| * 51   | CAPILLARY TUBE ASSY           | 1      | 1      | CWB15K1580    | o                    |
| 52     | L-PIECE                       | 1      | 1      | ACXD70-02010  |                      |
| 53     | C-PIECE                       | 2      | 2      | CWD791019     |                      |
| 54     | PLATE SPRING                  | 6      | 6      | CWH711013     |                      |
| 55     | PLATE SPRING                  | 4      | 4      | CWH711025     |                      |
| * 56   | V-COIL COMPLETE (BPV)         | 1      | 1      | ACXA43C05700  | o                    |
| * 57   | V-COIL COMPLETE (ORVR)        | 1      | 1      | ACXA43C05710  | o                    |
| * 58   | V-COIL COMPLETE (ACV,SAVE)    | 1      | 1      | ACXA43C05850  | o                    |
| * 59   | LEAD WIRE-COMplete (CM1)      | 1      | 1      | CWA68C2198    |                      |
| * 60   | V-COIL COMPLETE (SCV1,2)      | 1      | 1      | ACXA43C05790  | o                    |
| * 61   | V-COIL COMPLETE (MOV1)        | 1      | 1      | ACXA43C05660  | o                    |
| * 62   | V-COIL COMPLETE (MOV2)        | 1      | 1      | ACXA43C05680  | o                    |
| * 63   | V-COIL COMPLETE (MOV4)        | 1      | 1      | ACXA43C06070  | o                    |
| * 64   | THERMISTOR (OIL1,2)           | 1      | 1      | ACXA50C13910  | o                    |
| * 65   | THERMISTOR (DISCH1)           | 1      | 1      | ACXA50C13950  | o                    |
| * 66   | THERMISTOR (DISCH2)           | 1      | 1      | ACXA50C13960  | o                    |
| * 67   | THERMISTOR (EXL1,2)           | 1      | 1      | ACXA50C13970  | o                    |
| * 68   | THERMISTOR (SCT)              | 1      | 1      | ACXA50C13920  | o                    |
| * 69   | THERMISTOR (EXG1,2)           | 1      | 1      | ACXA50C13980  | o                    |
| * 70   | THERMISTOR (TO)               | 1      | 1      | ACXA50C13940  | o                    |
| * 71   | THERMISTOR (SCG)              | 1      | 1      | ACXA50C13930  | o                    |
| 72     | SPACER                        | 4      | 4      | CWH541156     |                      |
| 73     | FIN & TUBE CONDENSER COMPLETE | 1      | 1      | ACXB32C15110  | o                    |
| 74     | EPT SEAL                      | 2      | 2      | CWD15A35-450  |                      |
| 75     | EPT SEAL                      | 1      | 1      | CWD10A35-300  |                      |
| 76     | SOUND-PROOF BOARD             | 1      | 1      | ACXH15-02460  |                      |
| 77     | SOUND-PROOF BOARD ASSY        | 1      | 1      | ACXH15K00650  |                      |
| 78     | SOUND-PROOF BOARD ASSY        | 1      | 1      | ACXH15K00770  |                      |
| 79     | SOUND-PROOF BOARD ASSY        | 1      | 1      | ACXH15K00660  |                      |
| 80     | SOUND-PROOF BOARD             | 1      | 1      | ACXH15-02470  |                      |
| 81     | RUBBER                        | 1      | 1      | CWG251091     |                      |
| 82     | RUBBER                        | 1      | 1      | CWG251068     |                      |
| 83     | RUBBER                        | 2      | 2      | CWG251069     |                      |
| 84     | CABINET SIDE PLATE ASSY       | 1      | 1      | CWE04K1199A   | o                    |
| 85     | CABINET SIDE PLATE            | 1      | 1      | CWE041843A    | o                    |
| 86     | CABINET SIDE PLATE            | 2      | 2      | CWE041844A    | o                    |
| 87     | PARTICULAR PLATE              | 1      | 1      | ACXD90-16650  |                      |
| 88     | PARTICULAR PIECE              | 2      | 2      | CWD934068     |                      |
| 89     | ADH. POLY-E. FOAM             | 2      | 2      | CWG123162     |                      |
| 90     | ADH. POLY-E. FOAM             | 2      | 2      | CWG123541     |                      |
| 91     | RUBBER                        | 6      | 6      | CWG251065     |                      |
| 92     | RUBBER                        | 1      | 1      | CWG251066     |                      |
| 93     | RUBBER                        | 1      | 1      | CWG251062     |                      |
| 94     | RUBBER                        | 8      | 8      | CWG251059     |                      |
| 95     | RUBBER                        | 1      | 1      | CWG251058     |                      |
| 96     | ADH. POLY-E. FOAM             | 2      | 2      | CWG123542     |                      |
| 97     | ADH. POLY-E. FOAM             | 1      | 1      | CWG123545     |                      |
| 98     | ADH. POLY-E. FOAM             | 1      | 1      | CWG123547     |                      |
| 99     | PARTICULAR PLATE              | 1      | 1      | CWD912644     |                      |
| 100    | CONTROL BOARD ASSY            | 1      | 1      | ACXH10K02190  |                      |

NOTE: Metal and plastic parts will be supplied basically with necessary heat insulation pads or packing. Each key number with an asterisk (\*) means the recommended service parts.

# ATTENTION!

To ensure correct parts supply, please let us know the following,

Part No. when you make service parts order:

U-14,16MF3E8

1.Part No. 2.Description 3.Q'ty 4.Volts-Hz-Ph 5.Product Model No.

OUTDOOR UNIT

| KeyNo. | Description                   | 14Q'ty | 16Q'ty | Reference No. | Available in EyesG21 |
|--------|-------------------------------|--------|--------|---------------|----------------------|
| 101    | EPT SEAL (FLAMEPROOF)         | 1      | 1      | CWDN20A30-75  |                      |
| 102    | DUCT ASS.Y                    | 1      | 1      | CWD22K1003    |                      |
| 103    | EPT SEAL (FLAMEPROOF)         | 2      | 2      | CWDN20A25-55  |                      |
| 104    | ADH. POLY-E. FOAM             | 2      | 2      | CWG123548     |                      |
| 105    | PARTICULAR PLATE              | 1      | 1      | CWD912663     |                      |
| 106    | DUCT                          | 1      | 1      | CWD221091     |                      |
| 107    | ADH. POLY-E. FOAM             | 1      | 1      | CWG123549     |                      |
| 108    | ADH. POLY-E. FOAM             | 1      | 1      | CWG123550     |                      |
| 109    | POLY-E.FOAM                   | 1      | 1      | CWE2A15-110   |                      |
| 110    | ADH. POLY-E. FOAM             | 3      | 3      | CWG123558     |                      |
| 111    | SPACER                        | 22     | 22     | CWH541203     |                      |
| 112    | SPACER                        | 1      | 1      | CWH541204     |                      |
| 113    | SPACER                        | 4      | 4      | CWH541205     |                      |
| 114    | SPACER                        | 10     | 10     | CWH541206     |                      |
| 115    | SPACER                        | 2      | 2      | CWH541207     |                      |
| 116    | HEATSINK                      | 2      | 2      | ACXA58K00010  |                      |
| 117    | INSULATION                    | 2      | 2      | CWA621014     |                      |
| 118    | SPACER                        | 12     | 12     | CWH541153     | o                    |
| * 119  | TERMINAL BOARD ASSY           | 1      | 1      | CWA28K1271    | o                    |
| * 120  | PTC THERMISTORS               | 2      | 2      | D4DDG1010001  | o                    |
| * 121  | FIXED INDUCTORS               | 2      | 2      | G0C252K00001  | o                    |
| * 122  | PC BOARD W/COMPONENT          | 1      | 1      | ACXA73C63070  | o                    |
| * 123  | ELEC.CONTROLLER-COMPLETE(HIC) | 2      | 2      | CWA73C9053    | o                    |
| * 124  | ELECTRONIC CONTROLLER (FIL)   | 2      | 2      | CWA748323     | o                    |
| * 125  | ELECTRONIC CONTROLLER (FAN)   | 1      | 1      | ACXA73-36140  | o                    |
| 126    | ACCESSORY-COMPLETE            | 1      |        | CWH82C1937    |                      |
| 126    | ACCESSORY-COMPLETE            |        | 1      | CWH82C1938    |                      |
| * 127  | LEAD WIRE-COMPLETE (CM2)      | 1      | 1      | ACXA60C70690  |                      |
| 128    | DUCT ASS.Y                    | 1      | 1      | CWD22K1005    |                      |
| 129    | PARTICULAR PLATE              | 1      | 1      | CWD912665     |                      |
| * 130  | MOTOR (LARGE DC)              | 1      | 1      | CWDMSBG75SY   | o                    |
| * 131  | FAN ASSY                      | 1      | 1      | CWH03K1082    | o                    |
| 132    | BOLT                          | 2      | 2      | XVG6A10FJ4    | o                    |
| 133    | CAP                           | 1      | 1      | CWH521248     |                      |
| 134    | FAN MOTOR BRACKET             | 2      | 2      | ACXD54-03090  | o                    |
| 135    | AIR REGULATING PLATE          | 2      | 2      | CWD211007     | o                    |
| 136    | AIR GUIDER P.F.               | 1      | 1      | CWD311030     |                      |
| 137    | FAN MOTOR BRACKET ASSY        | 1      | 1      | CWD54K1087    |                      |
| 138    | FAN MOTOR BRACKET ASSY        | 1      | 1      | CWD54K1088    |                      |
| 139    | FAN MOTOR BRACKET ASSY        | 1      | 1      | CWD54K1090    |                      |
| 140    | FAN MOTOR BRACKET             | 1      | 1      | CWD541261     | o                    |
| 141    | SPACER                        | 1      | 1      | CWH541158     | o                    |
| 142    | CABINET TOP PLATE-COMPLETE    | 2      | 2      | CWE03C1171    | o                    |
| 143    | CABINET SIDE PLATE            | 1      | 1      | ACXE04-09270A | o                    |
| 144    | CABINET SIDE PLATE            | 1      | 1      | ACXE04-09280A | o                    |
| 145    | CABINET REAR PLATE            | 1      | 1      | ACXE02-01890A |                      |
| 146    | CABINET TOP PLATE             | 1      | 1      | CWE031226A    | o                    |
| 147    | CABINET TOP PLATE             | 2      | 2      | CWE031227A    | o                    |
| 148    | WIRE NET ASSY                 | 1      | 1      | CWD04K1004A   | o                    |
| 149    | SOUND PROOF MATERIAL          | 2      | 2      | CWG302976     | o                    |

NOTE: Metal and plastic parts will be supplied basically with necessary heat insulation pads or packing. Each key number with an asterisk (\*) means the recommended service parts.

# ATTENTION!

To ensure correct parts supply, please let us know the following,

Part No. when you make service parts order:

U-14,16MF3E8

1.Part No. 2.Description 3.Q'ty 4.Volts-Hz-Ph 5.Product Model No.

OUTDOOR UNIT

| KeyNo. | Description                    | 14Q'ty | 16Q'ty | Reference No. | Available in EyesG21 |
|--------|--------------------------------|--------|--------|---------------|----------------------|
| 150    | RAIN COVER-COMplete            | 2      | 2      | CWH81C1005    | o                    |
| 151    | HOLDER-P.S. CORD               | 3      | 3      | ACXH31-01240  |                      |
| 152    | CAPILLARY TUBE                 | 1      | 1      | ACXB15-19000  | o                    |
| 153    | MULTIBENT TUBE                 | 1      | 1      | ACXT30-83000  |                      |
| 154    | MULTIBENT TUBE                 | 1      | 1      | ACXT30-83210  |                      |
| 155    | RUBBER                         | 1      | 1      | CWG251060     |                      |
| 156    | ADH. POLY-E. FOAM              | 1      | 1      | CWG123173     |                      |
| 157    | RECEIVER ASSY                  | 1      | 1      | CWB14K1018    | o                    |
| 158    | ADH. POLY-E. FOAM              | 2      | 2      | CWG123163     |                      |
| 159    | CABINET FRONT PLATE-COMplete   | 1      | 1      | CWE06C1549    | o                    |
| 160    | WIRING DIAGRAM (CU)            | 1      | 1      | ACXF22-06760  |                      |
| 161    | POLY-E.FOAM                    | 1      | 1      | CWE2A25-880   |                      |
| 162    | CONTROL BOARD COVER-COMplete   | 1      | 1      | CWH13C1347    | o                    |
| 163    | CABINET FRONT PLATE            | 1      | 1      | CWE061391A    | o                    |
| 164    | CABINET FRONT PLATE-COMplete   | 1      | 1      | CWE06C1550    | o                    |
| 165    | CABINET FRONT PLATE-COMplete   | 1      | 1      | CWE06C1552    | o                    |
| 166    | SCREW                          | 3      | 3      | CWH551333A    |                      |
| 167    | SCREW                          | 7      | 7      | CWH551332A    |                      |
| 168    | SPACER                         | 4      | 4      | CWH541152     | o                    |
| 169    | SCREW                          | 10     | 10     | CWH551448     |                      |
| 170    | BADGE                          | 1      | 1      | CWE373439     | o                    |
| 171    | BADGE                          | 1      | 1      | ACXE37-02510  | o                    |
| 172    | PARTICULAR PIECE               | 1      | 1      | ACXD93-19990  |                      |
| 173    | EPT SEAL                       | 1      | 1      | CWD20A20-580  |                      |
| 174    | EPT SEAL                       | 1      | 1      | CWD3A40-60    |                      |
| 175    | STRAIGHT TUBE                  | 6      | 6      | CWT102194     |                      |
| 176    | STRAIGHT TUBE                  | 4      | 4      | CWT103083     |                      |
| 177    | SCREW                          | 5      | 5      | CWH551326A    | o                    |
| 178    | WIRE NET,RESIN NET             | 2      | 2      | ACXD04-00050A |                      |
| 179    | WIRE NET,RESIN NET             | 1      | 1      | ACXD04-00070A |                      |
| 180    | EPT SEAL (FLAMEPROOF)          | 8      | 8      | CWDN20A20-30  |                      |
| * 181  | LEAD WIRE-COMplete (63PH (L )  | 1      | 1      | CWA68C2173    |                      |
| * 182  | LEAD WIRE-COMplete (HPS)       | 1      | 1      | ACXA60C70670  |                      |
| * 183  | LEAD WIRE-COMplete (LPS)       | 1      | 1      | ACXA60C70680  |                      |
| * 184  | LEAD WIRE-COMplete (63PH (R )  | 1      | 1      | CWA68C2178    |                      |
| * 185  | PRESSURE SENSING DEVICE (HPS)  | 1      | 1      | ACXA50-04610  | o                    |
| * 186  | LEAD WIRE-COMplete (RE (R)     | 1      | 1      | CWA68C2187    |                      |
| * 187  | LEAD WIRE-COMplete (L-POW (R ) | 1      | 1      | CWA68C2188    |                      |
| * 188  | LEAD WIRE-COMplete (RE (L)     | 1      | 1      | CWA68C2189    |                      |
| * 189  | LEAD WIRE-COMplete             | 1      | 1      | CWA68C2191    |                      |
| * 190  | LEAD WIRE-COMplete             | 1      | 1      | CWA68C2192    |                      |
| * 191  | PARTICULAR PLATE-COMplete      | 1      | 1      | ACXD90C02620  |                      |
| 192    | RUBBER                         | 2      | 2      | CWG251095     |                      |
| 193    | PARTICULAR PIECE               | 1      | 1      | ACXD93-19210  |                      |
| 194    | MULTIBENT TUBE                 | 1      | 1      | ACXT30-83010  |                      |
| 195    | TUBE ASSY                      | 1      | 1      | ACXT00-52020  |                      |
| 196    | 2-WAYS VALVE                   | 4      | 4      | ACXB02-02640  | o                    |
| 197    | TUBE ASSY                      | 1      | 1      | ACXT00-52090  |                      |
| 198    | 3-WAYS VALVE                   | 1      | 1      | CWB011853     | o                    |
| 199    | TUBE ASSY                      | 1      | 1      | ACXT00-52100  |                      |

NOTE: Metal and plastic parts will be supplied basically with necessary heat insulation pads or packing. Each key number with an asterisk (\*) means the recommended service parts.

