

1-2. PANEL

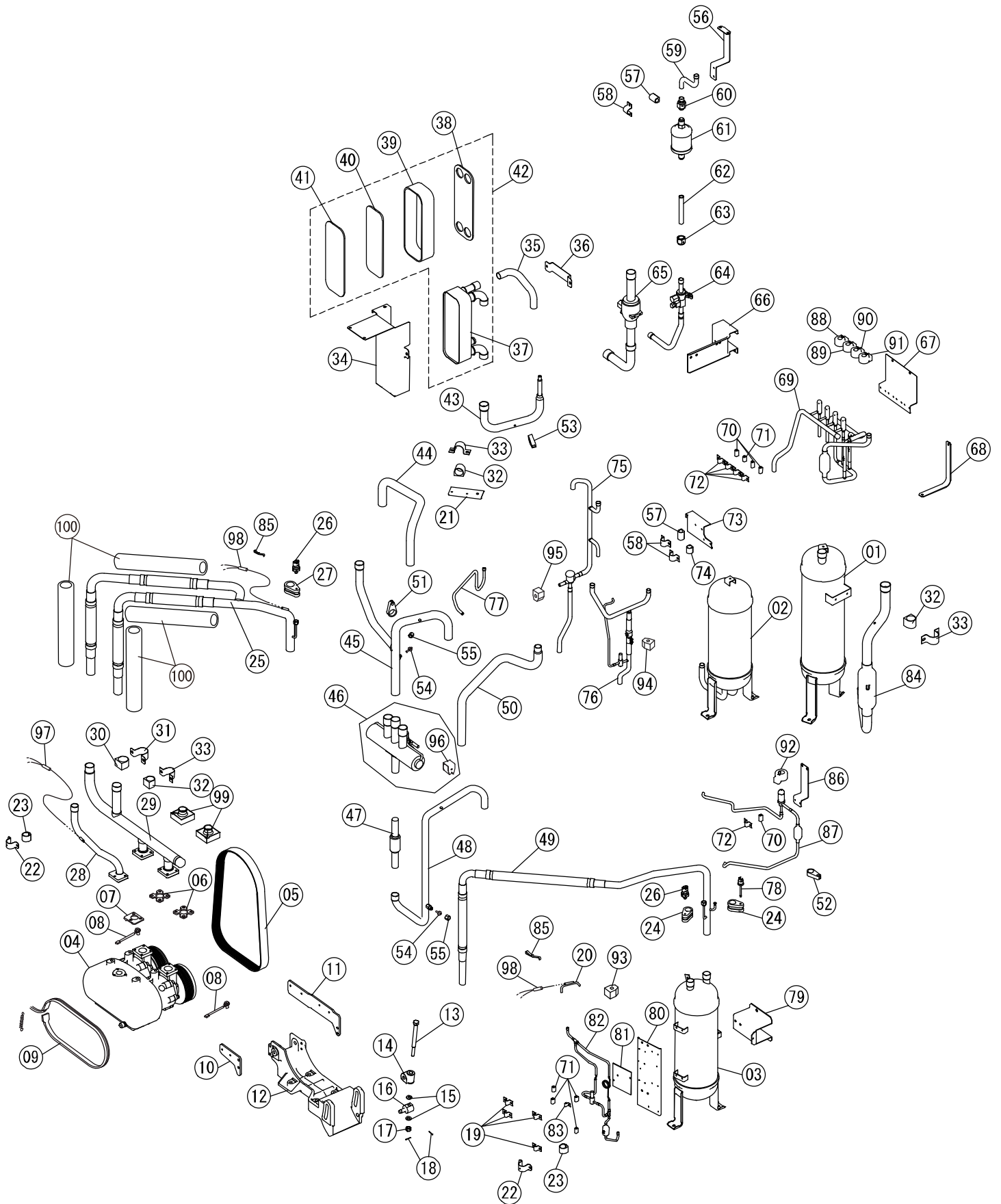
U-25-30GE3E5

CLASS	FIGURE No.	PART CODE	PART NAME	Q' TY	SPECIFICATIONS	MAIN MODEL	LOVATION No. (P/N)
	01	623 332 9406	PNL FRONT (S)	2			826-2-1118-282H0
	02	623 332 1554	PNL SIDE (S)	1			826-2-1114-348H0
	03	623 332 1561	PNL REAR (S)	1			826-2-1120-275H0
	04	623 333 8088	PNL REAR (S)	1			826-2-1120-283H0
	05	623 332 9413	PNL REAR ASSY (S)	1			826-0-1120-230H0
	06	623 332 1592	PNL SIDE (S)	1			826-2-1114-344H0
	07	623 332 1608	PNL SIDE	1			826-2-1114-34701
	08	623 332 1615	PNL SIDE	1			826-2-1114-34501
	09	623 332 1622	PNL SIDE	1			826-2-1114-34601
	10	623 333 8095	GUARD ASSY	2			826-0-1151-12501
	11	623 332 1639	PNL TOP	2			826-2-1115-22000
	12	623 332 9437	PNL TOP	1			826-2-1115-22301
	13	623 300 7250	PNL	1			826-2-1121-21200
	14	623 182 6808	CAP MUFFLER	1			826-2-1237-16600
	15	623 182 6815	CAP MUFFLER	1			826-2-1237-16500
	16	623 182 6792	O RING	2			826-2-1262-12400
	17	623 300 7243	CAP MUFFLER ASSY	1			826-0-1237-13900
	18	623 182 6822	CAP MUFFLER ASSY	1			826-0-1237-13700
	19	623 182 6907	O RING	1			826-2-1262-12500
	20	623 332 4302	PKG	2			826-2-2422-03800
	21	623 317 5034	FRAME ASSY	3			826-0-2203-34100
	22	623 317 5027	FRAME ASSY	1			826-0-2203-34200
	23	623 332 1653	FRAME	1			826-2-2203-41800
	24	623 332 1684	FRAME	2			826-2-2203-42901
	25	623 332 1660	FRAME	2			826-2-2203-43101
	26	623 332 1677	FRAME	2			826-2-2203-43001
	27	623 332 1264	FRAME	2			826-2-2203-43301
	28	623 332 9253	FRAME ASSY	2			826-0-2203-36601
	29	623 332 1271	FRAME	1			826-2-2203-43401
	30	623 317 5010	FRAME ASSY	3			826-0-2203-34300
	31	623 313 3645	PKG	1			826-2-2412-83900
	32	623 317 5072	MTG	1			826-2-4360-49701
	33	623 317 5249	COV ELEC J-B	1			826-2-5315-46301
	34	623 317 5232	COV ELEC J-B	1			826-2-5315-46401
	35	623 317 5225	PKG	1			826-2-2412-97600
	36	623 317 5218	PKG	2			826-2-2412-96300
	37	623 317 5317	PKG	2			826-2-2412-96400
	38	623 307 5235	EYLET RUB	1			826-2-4322-12400
	39	623 182 6853	MTG	1			826-2-4360-24601
	40	623 182 6976	EYLET RUB	1			826-2-4322-12100
	41	623 317 5041	MTG ELEC ASSY	1			826-0-5319-23401
	42	623 317 5058	PKG	2			826-2-2412-98800
	43	623 317 5300	PKG	1			826-2-2412-99300
	44	623 317 5065	BOX	1			826-2-2210-14401
	45	623 317 5164	PKG	2			826-2-2412-98600
	46	623 317 5157	PKG	2			826-2-2412-98700
	47	623 333 0372	GUARD	2			826-2-1151-16400
	48	623 317 5133	PKG	3			826-2-2412-95800
	49	623 317 5126	PKG	4			826-2-2412-95900
	50	623 317 5119	PKG	4			826-2-2412-96000

1-2. PANEL

U-25-30GE3E5

CLASS	FIGURE No.	PART CODE	PART NAME	Q' TY	SPECIFICATIONS	MAIN MODEL	LOVATION No. (P/N)
	51	623 313 3584	PKG	4			826-2-2412-92800
	52	623 093 5358	EYELET	2			3-9041-02001
	53	623 183 1970	PROTECTION RUB	1		U-25GE3	826-2-4350-17800
	53	623 182 9915	PROTECTION RUB	1		U-30GE3	826-2-4350-17700
	54	623 183 1987	PROTECTION RUB	1		U-25GE3	826-2-4350-17500
	54	623 182 9922	PROTECTION RUB	1		U-30GE3	826-2-4350-17400
	55	638 001 1858	PNL	1			826-2-1121-15600
	56	638 009 0877	INS	2			826-2-2416-18900
	57	638 000 9985	PNL	1			826-2-1121-15501
	58	623 301 1868	AIR FILTER	2			826-2-2320-12000
	59	623 300 7427	SCREW SPECIAL	48			826-2-1270-16500
	60	638 001 0318	SPACER	33			826-2-1160-10200
	61	623 315 9676	SPACER	11			826-2-1160-11901
	62	623 307 0131	S TITE SCREW	3			3-9204-61602
	63	623 300 7496	WASHER SPECIAL	3			826-2-1272-11100
	64	623 330 2720	WASHER SPECIAL	3			826-2-1272-16600
	65	623 321 1008	CAUTION LABEL	1			826-6-4759-52500
⚠	66	623 333 9092	ELEC WIRING DIAG	1			8FA-2-5251-44300
	67	623 186 5418	CAUTION LABEL	1			826-6-4759-22000
	68	623 193 9430	CAUTION LABEL	1			826-6-4759-44800
	69	623 307 5297	NOTES	1			825-2-5292-53300
	70	623 161 1497	LABEL	1			854-2-1358-95900
	71	623 321 0995	CAUTION LABEL	1			826-6-4759-52100
	72	623 333 9344	LABEL	1			826-6-4419-56000
	73	623 321 1022	CAUTION LABEL	1			826-6-4759-57200
	74	623 321 1039	CAUTION LABEL	1			826-6-4759-57100
	75	623 317 2071	BADGE	1			854-2-1354-33401
	76	623 321 0094	BADGE	1			826-2-1122-18404
	77	623 317 5171	ADH. POLY-U. FOAM	1			826-2-2412-98900
	78	623 321 1084	CAUTION LABEL	2			854-6-5759-11200
	79	623 321 1053	CAUTION LABEL	1			826-6-4759-21600
	80	623 321 1060	CAUTION LABEL	1			826-6-4759-52200
	81	623 321 1077	CAUTION LABEL	1			826-6-4759-22600
	82	623 307 5327	CAUTION LABEL	1			826-6-4759-21300
⚠	83	623 333 8514	EXPLANATORY BOOKLET	1			826-6-4119-43800
	85	623 333 0365	PNL REAR(S)	1			826-2-1120-277H0



2-3. TUBING 1F

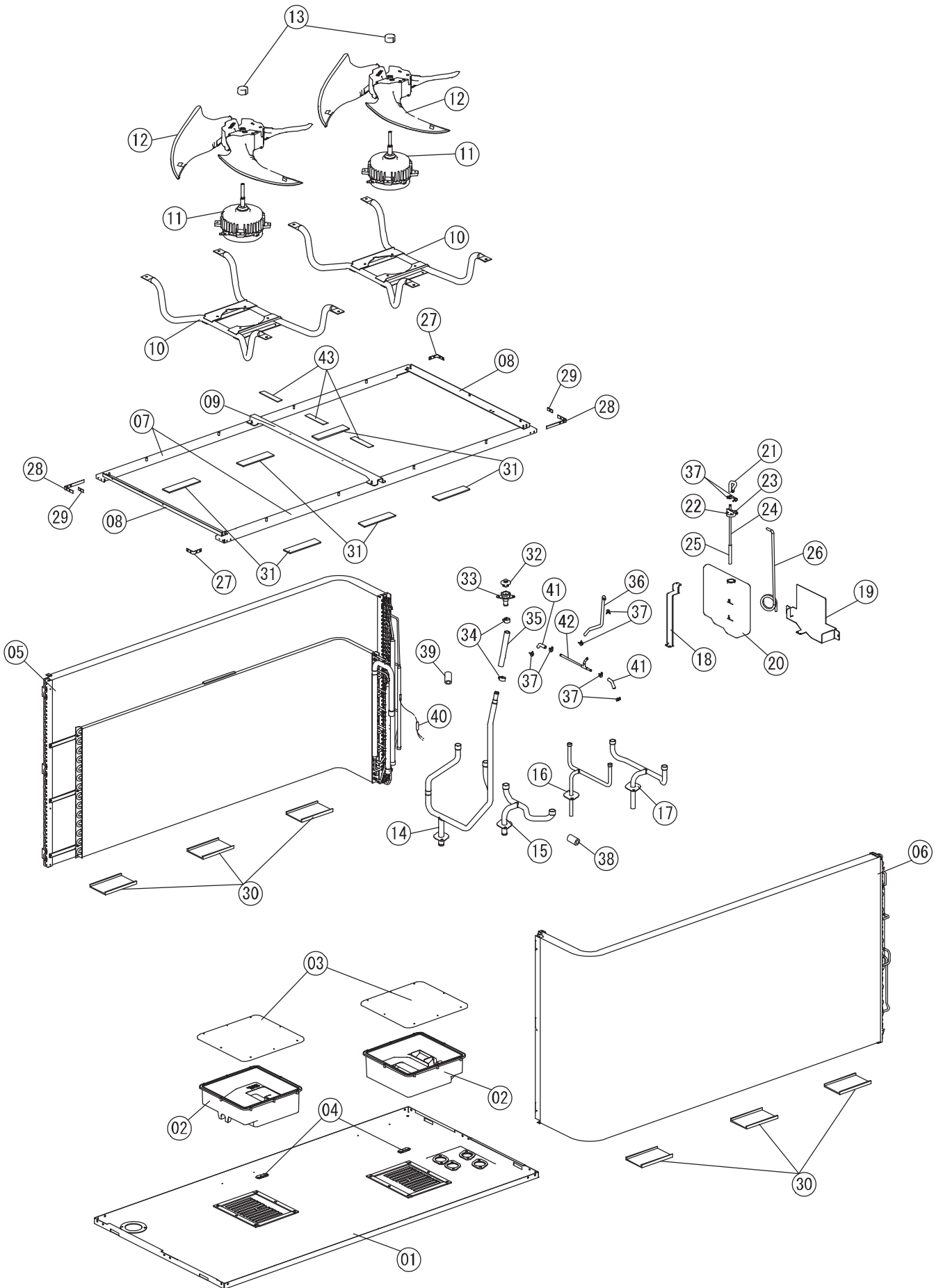
U-25GE3E5

CLASS	FIGURE No.	PART CODE	PART NAME	Q' TY	SPECIFICATIONS	MAIN MODEL	LOVATION No. (P/N)
	01	623 333 9047	ACCUM ASSY	1			826-0-4511-15200
	02	623 333 9054	REC TANK ASSY	1			826-0-4502-19600
	03	623 333 9061	OIL SEPARATOR ASSY	1			826-0-4540-13000
⚠	04	623 332 8850	COMPRESSOR	1	MG285VMA		826-9-9536-06609
	05	623 334 0319	V RIBBED BELT	1	R34-7 10PK1305		ACXH98-00470
	06	623 183 0157	GASKET	2			826-2-4154-12400
⚠	07	638 019 8573	GASKET	1			826-2-4154-11800
⚠	08	623 164 8066	THERMISTOR K	2	TH3		826-9-9536-04181
⚠	09	623 317 8806	CRANK CASE HEATER	1			1FA-4-H100-11900
	10	623 317 5324	MTG	1			826-2-4360-25801
	11	623 332 9901	MTG	1			826-2-4360-56001
	12	623 166 9344	SUPT ASSY COMPR	1	11910-FY500		826-9-9536-04432
	13	638 021 0466	BOLT	1	11948-FZ900		826-9-9536-03513
	14	638 021 0459	BRANCKET	1	11942-FZ900		826-9-9536-03511
	15	623 197 3946	WASHER SPECIAL	2			826-2-1272-10701
	16	638 021 0442	SHAFT	1	11928-FZ900		826-9-9536-03512
	17	638 020 5745	NUT SPECIAL	1			826-2-1271-11301
	18	628 031 5162	WAPI 2.0X18	2			3-9290-21801
	19	638 000 6465	MTG	4			826-2-4340-41000
	20	623 332 2827	TUBE 1/4 ASSY	1			826-0-4221-45500
	21	623 333 0174	MTG	1			826-2-4360-57001
	22	638 019 8634	MTG	2			826-2-4340-93201
	23	638 001 0639	PROTECTION RUB	2			826-2-4350-11000
	24	638 003 0408	PROTECTION RUB	2			826-2-4350-12400
	25	623 332 9949	TUBE 1 1/4 ASSY	1			826-0-4229-40100
⚠	26	623 178 7017	SENSOR	2	499000-0260		8FA-2-5151-00800
	27	638 001 9243	PROTECTION RUB	1			826-2-4350-10100
	28	623 317 9193	TUBE 1 ASSY	1			826-0-4228-52500
	29	623 332 9956	TUBE 1 1/2 ASSY	1			826-0-4230-20400
	30	638 008 5002	PROTECTION RUB	1			827-2-4350-10100
	31	623 305 4513	MTG	1			826-2-4360-40002
	32	638 001 0455	PROTECTION RUB	3			826-2-4350-11100
	33	623 315 3643	MTG	3			826-2-4340-46704
	34	623 332 2650	MTG HEAT EXCH	1			826-2-4308-34401
	35	623 317 9773	TUBE 1	1			826-2-4248-09800
	36	623 332 2643	MTG HEAT EXCH	1			826-2-4308-34301
	37	623 330 6131	HEAT EXCH ASSY	1			826-0-4112-46400
	38	623 166 6121	INS	1			826-2-2416-40700
	39	623 330 6155	INS	1			826-2-2416-51600
	40	623 166 6107	INS	1			826-2-2416-40400
	41	623 166 6114	INS	1			826-2-2416-40600
	42	623 332 2698	HEAT EXCH ASSY(S)	1			826-9-9536-06568
	43	623 333 7944	TUBE 1 1/8 ASSY	1			826-0-4227-21000
	44	623 333 7937	TUBE 1 1/4	1			826-2-4229-59900
	45	623 332 9987	TUBE 1 1/4 ASSY	1			826-0-4229-40300
	46	623 332 9994	REVERSING VALVE	1	SHF (L) -70-810		826-2-4501-12800
	47	623 172 4326	CHECK VALVE ASSY	1	ZGV-S10-A		826-0-4519-12300
	48	623 333 7920	TUBE 1 ASSY	1			826-0-4228-59400
	49	623 333 0020	TUBE 1 ASSY	1			826-0-4228-57700
	50	623 333 0037	TUBE 1 1/4	1			826-2-4229-59100

2-3. TUBING 1F

U-25GE3E5

CLASS	FIGURE No.	PART CODE	PART NAME	Q' TY	SPECIFICATIONS	MAIN MODEL	LOVATION No. (P/N)
	51	623 300 9117	PROTECTION RUB	1			826-2-4350-22700
	52	623 332 2520	PROTECTION RUB	1			826-2-4350-23200
	53	623 301 6054	PROTECTION RUB	1			826-2-4350-22300
	54	623 179 6279	CHECK VALVE ASSY	2			852-0-4204-13610
	55	623 154 1572	CAP VALVE	2			851-2-4532-00200
	56	623 332 9345	MTG	1			826-2-4360-55601
	57	638 001 0424	PROTECTION RUB	2			826-2-4350-11400
	58	638 001 3456	MTG	3			826-2-4340-50801
	59	623 317 9759	TUBE 5/8	1			826-2-4225-66400
	60	623 317 9018	TUBE 5/8 ASSY	1			826-0-4225-33100
	61	623 313 8220	DEHYDRATOR ASSY	1	DCB 165		826-0-4505-11600
	62	623 317 9742	TUBE 5/8	1			826-2-4225-66500
	63	623 190 2854	FLARE	1			3-9331-13400
	64	623 333 9078	TUBE 5/8 ASSY	1			826-0-4225-49600
	65	623 333 9085	TUBE 1 1/8 ASSY	1			826-0-4227-21200
	66	623 319 7845	MTG VALVE	1			826-2-4307-28101
	67	623 319 7449	MTG	1			826-2-4360-51201
	68	623 332 3732	MTG	1			826-2-4360-54501
	69	623 333 0044	TUBE 5/8 ASSY	1			826-0-4225-48500
	70	638 016 2376	PROTECTION RUB	4			829-2-4350-11300
	71	638 003 0415	PROTECTION RUB	5			826-2-4350-12700
	72	638 003 1177	MTG	5			826-2-4340-41001
	73	623 333 0051	MTG	1			826-2-4360-55701
	74	638 001 3562	PROTECTION RUB	1			826-2-4350-12300
	75	623 333 0068	TUBE 5/8 ASSY	1			826-0-4225-48600
	76	623 333 7913	TUBE 5/8 ASSY	1			826-0-4225-49700
	77	623 333 9429	TUBE 3/8	1			826-2-4243-55000
⚠	78	623 193 9485	PRESSURE SWITCH	1	ACB-1UB41		1FA-4-S1H0-09000
	79	623 332 3770	MTG	1			826-2-4360-55501
	80	623 332 2711	MTG	1			826-2-4360-54001
	81	623 332 2704	INS	1			826-2-2416-51700
	82	623 333 0150	TUBE 1/4 ASSY	1			826-0-4221-45700
	83	623 333 0167	MTG	1			826-2-4340-97400
	84	623 332 2773	TUBE 1 1/4 ASSY	1			826-0-4229-39300
	85	623 148 5876	MTG THERMO	2			852-2-5303-22401
	86	623 318 0052	MTG	1			826-2-4360-49201
	87	623 333 0143	TUBE 3/8 ASSY	1			826-0-4223-50600
⚠	88	623 301 5743	MAGNETIC COIL	1	UKV-A061		1FA-4-L8A0-42400
⚠	89	623 301 1981	MAGNETIC COIL	1	UKV-A060		1FA-4-L8A0-42300
⚠	90	623 301 1998	MAGNETIC COIL	1	UKV-A053		1FA-4-L8A0-42200
⚠	91	623 301 2001	MAGNETIC COIL	1	UKV-A062		1FA-4-L8A0-42500
⚠	92	623 165 7105	MAGNETIC COIL	1	EKV-MOZS410EO		1FA-4-L8A0-08900
⚠	93	623 332 2803	ELEC MAGNETIC COIL K	1			8FA-0-5251-46000
⚠	94	623 333 9399	ELEC MAGNETIC COIL K	1			8FA-0-5251-51200
⚠	95	623 333 9405	ELEC MAGNETIC COIL K	1			8FA-0-5251-51100
⚠	96	ACPA43C0634	ELEC MAGNETIC COIL K	1			ACXA43C06340
⚠	97	623 332 2797	THERMISTOR ASSY K	1	PLC-312-P1		8FA-0-5259-76100
⚠	98	623 332 2780	THERMISTOR ASSY K	2	PB2M-41E-P6		8FA-0-5259-76000
	99	ACPG25-0216	RUBBER	2			ACXG25-02160
	100	ACPG29-00010	INS TUBE	4			ACXG29-00010



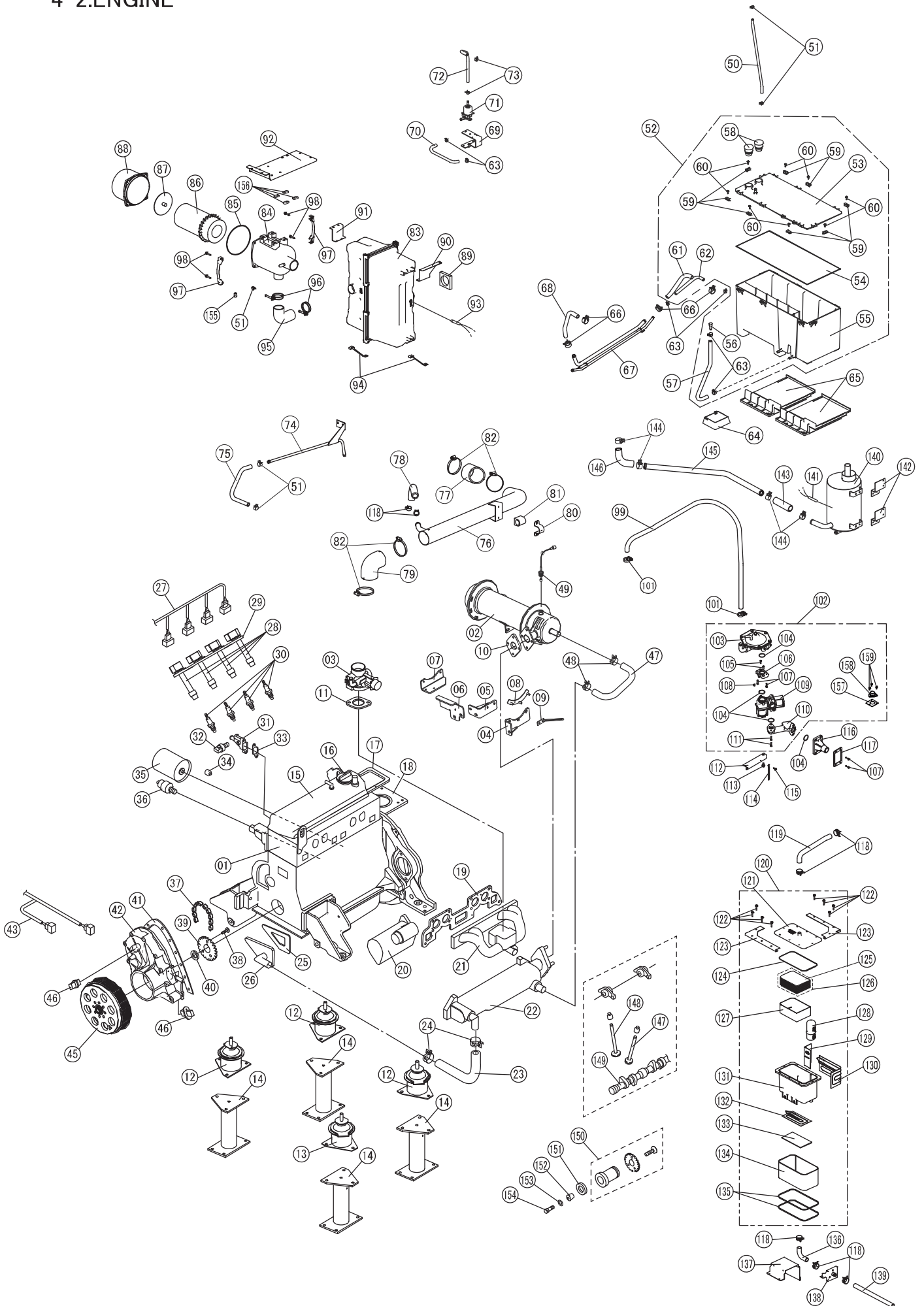
3-2. TUBING 2F

U-25-30GE3E5

CLASS	FIGURE No.	PART CODE	PART NAME	Q' TY	SPECIFICATIONS	MAIN MODEL	LOVATION No. (P/N)
	01	623 332 9222	DR PAN(S)	1			826-2-2303-295H0
	02	623 300 8110	DR PAN	2			826-2-2303-21300
	03	623 317 8875	COV ASSY	2			826-0-2211-11300
	04	623 301 2179	EYLET RUB	2			826-2-4322-12500
	05	623 332 9239	COND ASSY	1			826-0-4102-52700
	06	623 332 9246	COND ASSY	1			826-0-4102-51900
	07	623 332 9253	FRAME ASSY	2			826-0-2203-36601
	08	623 332 1264	FRAME	2			826-2-2203-43301
	09	623 332 1271	FRAME	1			826-2-2203-43401
	10	623 332 1288	MTG F-M ASSY	2			826-0-4328-20001
⚠	11	623 193 9744	DC MOTOR	2	GCG21804-T8SAG-E		1FA-4-M4A0-12300
	12	623 332 1295	BLO ASSY	2			826-0-2502-10600
	13	623 166 5711	CAP	2			826-2-1124-11800
	14	623 332 1448	TUBE 1 ASSY	1			826-0-4228-56200
	15	623 332 1455	TUBE 1 ASSY	1			826-0-4228-56100
	16	623 332 1462	TUBE 5/8 ASSY	1			826-0-4225-47500
	17	623 332 1479	TUBE 7/8 ASSY	1			826-0-4240-17600
	18	623 332 1349	MTG RESERVE	1			826-2-4326-19801
	19	623 332 1356	MTG RESERVE	1			826-2-4326-19701
	20	623 332 1363	EXPANSION TANK	1			826-2-4539-11900
	21	623 303 6403	HOSE	1			826-2-4204-64900
	22	623 317 9407	CAP	1			826-2-1223-13600
	23	623 317 9612	TUBE 5/16	1			826-2-4222-43600
	24	623 317 9605	TUBE 5/16	1			826-2-4222-44300
	25	623 332 1370	HOSE	1			826-2-4204-70600
	26	623 330 0825	HOSE	1			826-2-4204-69800
	27	623 332 1387	PKG	2			826-2-2422-03100
	28	623 332 1394	PKG	2			826-2-2422-03000
	29	623 332 1400	PKG	2			826-2-2422-03200
	30	623 166 2277	PKG	6			826-2-2412-65200
	31	623 332 9260	PKG	6			826-2-2422-03900
	32	638 011 4948	CAP	1			826-2-1223-11700
	33	638 011 4955	FILLER NECK	1			826-2-4509-11100
	34	638 020 4045	HOSE BAND	2			826-2-4294-19900
	35	623 300 7977	HOSE	1			826-2-4204-62800
	36	623 313 4031	HOSE	1			826-2-4204-67900
	37	638 017 5871	HOSE BAND	8			826-2-4294-19400
	38	638 017 3648	INS	1			825-2-5327-22500
	39	638 017 6878	INS	1			825-2-5327-23200
⚠	40	623 332 1417	THERMISTOR ASSY K	1	PBC-41E-P12		8FA-0-5259-76400
	41	623 179 5661	HOSE	2			723-2-4204-02800
	42	623 332 1486	TUBE 5/16 ASSY	1			826-0-4222-18600
	43	623 317 9599	PKG	3			826-2-2412-99200

4-2.ENGINE

U-25GE3E5



4-2. ENGINE

U-25GE3E5

CLASS	FIGURE No.	PART CODE	PART NAME	Q' TY	SPECIFICATIONS	MAIN MODEL	LOVATION No. (P/N)
⚠	01	623 330 6209	ENGINE	1	K25		826-2-1201-19000
	02	623 320 3690	EXH HEAT REC ASSY	1			826-0-1213-21500
	03	623 317 3238	MIXER	1	649030-141		826-2-1206-13000
	04	623 300 9209	MTG HEAT EXCH ASSY	1			826-0-4308-16401
	05	623 300 9155	MTG HEAT EXCH ASSY	1			826-0-4308-16601
	06	623 303 6410	MTG HEAT EXCH	1			826-2-4308-27701
	07	623 303 6434	MTG HEAT EXCH	1			826-2-4308-27601
	08	623 300 9216	MTG HEAT EXCH ASSY	1			826-0-4308-16701
	09	638 020 3864	MTG ASSY	1			826-0-4340-19101
	10	638 012 8198	GASKET EXH	1	20691-88V00		826-9-9536-02201
	11	623 183 2434	GASKET MIXER	1	16175-GW100		826-9-9536-04998
	12	623 185 4894	CUSHION RUB	3			826-2-4325-15400
	13	623 166 8941	CUSHION RUB	1			826-2-4325-15100
	14	ACPK56K0003	MTG ENGINE ASSY	4			ACXK56K00031
	15	623 166 9405	COVER ASSY	1	13264-FY500		826-9-9536-04450
	16	623 166 9412	OIL FILTER CAP ASSY	1	15255-1P110		826-9-9536-04451
	17	623 166 9429	GASKET ROCKER COVER	1	13270-FY500		826-9-9536-04452
	18	623 333 1928	GASKET CYL HEAD	1	11044-GJ00B		826-9-9536-06615
	19	623 166 9467	GASKET INT&EXH MANIF	1	14035-FY500		826-9-9536-04456
	20	623 166 9511	STARTER MOTOR ASSY	1	23300-FY500		826-9-9536-04461
	21	623 166 9474	MANIFOLD INTAKE	1	14003-FY500		826-9-9536-04457
	22	623 166 9450	MANIFOLD EXHAUST	1	14002-FY500		826-9-9536-04455
	23	623 183 2441	HOSE	1	21047-FY501		826-9-9536-04999
	24	623 166 9573	HOSE BAND	2	16439-53J00		826-9-9536-04467
	25	638 017 9640	GASKET WATER INLET	1	13050-88V60		826-9-9536-03256
	26	623 166 9559	INLET WATER	1	13049-FY500		826-9-9536-04465
	27	623 197 0969	HARN IGN COIL	1	24028-5K60A		826-9-9536-06034
	28	623 197 0976	COIL ASSY IGNISION	4	22448-5K60A		826-9-9536-06056
	29	623 197 4028	BRKT IGNISION COIL	1	22435-5K60A		826-9-9536-06100
	30	623 194 7664	PLUG SPARK	4	G3-D3		826-9-9536-05610
	31	623 197 5148	OUTLET WATER	1	11060-FY500		826-9-9536-06136
	32	623 197 6428	SENER TEMP	1	22630-44B20		826-9-9536-06208
	33	623 189 3947	GASKET	1	11062-FY500		826-9-9536-05353
	34	638 012 8006	VALVW ASSY RELIEF	1	15241-16A01		826-9-9536-02182
	35	623 158 4784	OIL FLR ELEMENT ASSY	1	15208-88V02		826-9-9536-04054
	36	638 012 8013	OIL PRESS SW ASSY	1	25240-88V00		826-9-9536-02183
	37	638 012 8075	CHAIN TIMING	1	13028-50K00		826-9-9536-02189
	38	638 020 8197	BOLT	1	12315-FZ900		826-9-9536-03533
	39	638 020 8180	PLATE SIGNAL	1	12314-FZ900		826-9-9536-03532
	40	638 020 8128	SEAL OIL	1	13510-FZ910		826-9-9536-03526
	41	638 012 8044	GASKET HSG TOCYL BLK	1	13520-FZ900		826-9-9536-02186
	42	623 197 6480	COVER ASSY	1	13501-4G70A		826-9-9536-06211
	43	638 020 8210	HARN CRANK SEN	1	24028-FZ900		826-9-9536-03535
	45	638 020 8005	PULLY CRANKSHAFT	1	12304-FZ900		826-9-9536-03515
	46	623 166 9597	SENSOR	1	23731-6J90C		826-9-9536-04469
⚠	47	623 300 9223	HOSE	1			826-2-4204-61400
	48	623 158 5972	HOSE BAND	2			826-2-4294-20800
	49	623 313 9371	SENER	1	265600-1380		825-2-5102-28300
	50	638 020 5196	HOSE	1			826-2-4204-42600
	51	638 012 3315	HOSE BAND	5			826-2-4294-18100

4-2. ENGINE

U-25GE3E5

CLASS	FIGURE No.	PART CODE	PART NAME	Q' TY	SPECIFICATIONS	MAIN MODEL	LOVATION No. (P/N)
	52	623 317 8813	OIL TANK ASSY	1			826-0-1250-15100
	53	623 317 9476	COV OIL TANK	1			826-2-1253-12600
	54	623 200 5493	PKG	1			826-2-2412-74500
	55	623 183 0379	OIL TANK	1			826-2-1250-13700
	56	623 300 8301	OIL TUBE	1			826-2-1254-12500
	57	623 331 6284	HOSE	1			826-2-4204-70100
	58	623 182 7898	CAP	2			826-2-1223-13700
	59	623 183 0362	MTG OIL TANK	8			826-2-4330-18501
	60	623 200 5509	SCREW SPECIAL	8			826-2-1270-17101
	61	623 300 8370	HOSE	1			826-2-4204-61700
	62	623 300 8363	HOSE	1			826-2-4204-61800
	63	638 012 4480	HOSE BAND	6			826-2-4294-18300
	64	638 019 9259	BOX	1			826-2-2210-11600
	65	623 300 8318	MTG OIL TANK	2			826-2-4330-19200
	66	638 012 4633	HOSE BAND	4			826-2-4294-18500
	67	623 319 8057	TUBE ASSY	1			826-0-1216-18801
	68	623 176 1642	HOSE	1			826-2-4204-53700
	69	623 321 0070	MTG	1			826-2-4360-51601
	70	623 300 8349	HOSE	1			826-2-4204-61900
	71	623 321 9462	PUMP	1	VC36 (200V) -S2		826-2-4541-13700
	72	623 300 8332	HOSE	1			826-2-4204-61600
	73	638 012 4794	HOSE BAND	2			826-2-4294-18600
	74	623 332 9642	TUBE ASSY	1			826-0-4217-23300
	75	623 183 0478	HOSE	1			826-2-4204-55100
	76	623 332 9659	TUBE ASSY	1			826-0-1216-19300
	77	623 200 5295	HOSE	1			826-2-4204-60300
	78	623 317 3269	HOSE	1			826-2-4204-68800
	79	623 200 4557	HOSE	1			826-2-4204-60100
	80	638 019 8634	MTG	1			826-2-4340-93201
	81	638 006 6155	PROTECTION RUB	1			826-2-4350-10900
	82	638 012 1076	HOSE BAND	4	58-75		826-2-4294-17600
	83	623 332 3077	BOX ASSY	1			826-0-2210-12001
	84	638 011 7536	COV AIR CLEANER	1			826-2-1243-11100
	85	638 011 7543	PKG	1			826-2-2412-35600
	86	ACPK21-0004	AIR CLEANER ELEMENT	1			ACXK21-00041
	87	638 011 7567	PKG	1			826-2-2412-35500
	88	638 012 7597	AIR CLEANER	1			826-2-1241-11100
	89	623 332 3084	PKG	1			826-2-2412-99700
	90	623 332 5545	MTG	1			826-2-4360-53800
	91	623 332 5538	MTG	1			826-2-4360-53700
	92	623 332 5552	MTG	1			826-2-4360-53400
⚠	93	623 332 3053	THERMISTOR ASSY K	1	PB2M-41E-P7		8FA-0-5259-76300
	94	623 332 5569	MTG	2			826-2-4360-53600
	95	623 332 3138	HOSE	1			826-2-4204-70300
	96	638 019 9501	HOSE BAND	2			826-2-4294-20100
	97	638 019 9617	MTG	2			826-2-4340-94101
	98	623 184 2716	SEMUSU ROBO 6X30(+)	4			3-9255-63050
⚠	99	ACPK45-0069	HOSE	1			ACXK45-00690
	101	638 019 9518	HOSE BAND	2			826-2-4294-20200
	102	623 333 8910	PIPE ASSY	1			826-9-9536-06640

4-2. ENGINE

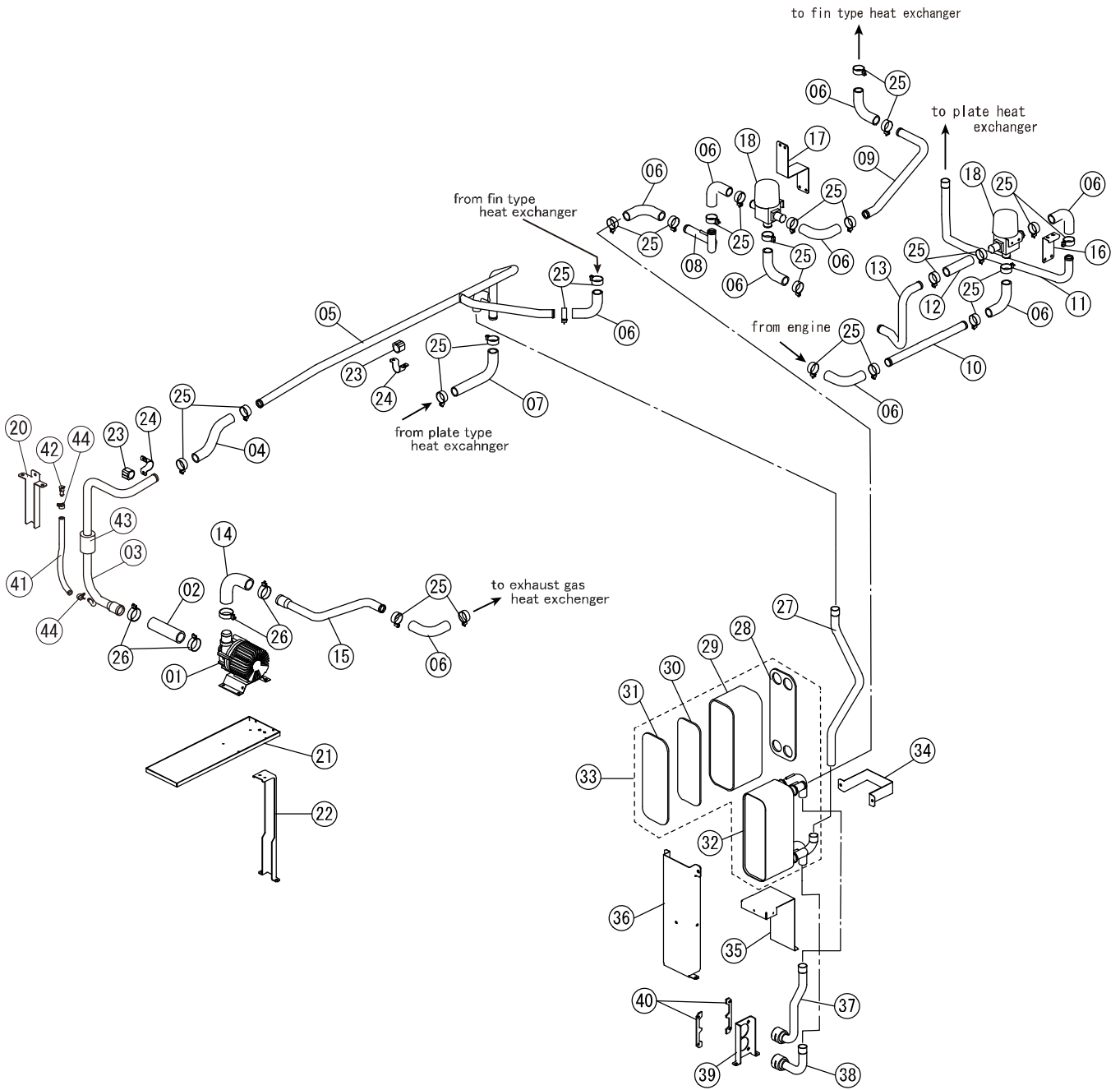
U-25GE3E5

CLASS	FIGURE No.	PART CODE	PART NAME	Q'TY	SPECIFICATIONS	MAIN MODEL	LOVATION No. (P/N)
	103	623 317 4785	PRESSURE GOV	1	JASO 2023		826-2-1203-15800
	104	638 017 4263	O RING	4			826-2-1262-11800
	105	638 000 0739	NABE 4X12	2			3-9230-41201
	106	623 317 4792	FLANGE	1			826-2-4547-11600
	107	638 021 1548	SCREW SPECIAL	4			826-2-1270-11202
⚠	108	623 097 4371	TORA 4X8 SUS305	1			3-9231-40850
	109	ACPK35C0001	SOL VALVE	1			ACXK35C0001
	110	623 321 1107	PIPE	1			826-2-3120-37900
	111	638 020 5493	SCREW SPECIAL	2			826-2-1270-12601
	112	623 318 0021	MTG	1		826-2-4360-50001	
	113	623 317 9469	SCREW SPECIAL	14			826-2-1270-18702
	114	628 012 9219	FIXTURE CORD	1			731-2-5323-12000
	115	623 093 1473	TOTA 4X12-1	1			3-9219-41201
	116	623 317 9544	PIPE	1			826-2-3120-37600
	117	623 317 9520	PKG	1			826-2-2412-96600
⚠	118	638 012 4459	HOSE BAND	7			826-2-4294-18700
	119	623 317 3283	HOSE	1			826-2-4204-69000
	120	623 317 8899	DRAIN FILTER ASSY	1			826-0-1280-12001
	121	623 317 9421	COV	1			826-2-2211-13100
	122	623 317 9452	SCREW SPECIAL	8			826-2-1270-19801
	123	623 318 0007	MTG	2			826-2-4360-50201
	124	623 317 0114	PKG	1			826-2-2412-96700
	125	623 317 2897	OIL STRAINER	7			826-2-1255-17700
	126	623 333 9542	OIL MAT KIT	1			826-9-9536-06642
	127	623 317 9438	BOX	1			826-2-2210-14100
⚠	128	623 317 8882	BOX ASSY	1			826-0-2210-11800
	129	623 317 9414	SPACER	1			826-2-1215-12900
	130	623 317 8790	FREEZE RPO HEATER	1			1FA-4-H1E0-08800
	131	623 317 9445	BOX	1			826-2-2210-13900
⚠	132	623 317 8783	FREEZE RPO HEATER	1			1FA-4-H1E0-08900
	133	623 317 9575	INS	1	PLT4S-M30		826-2-2416-51100
	134	623 317 9582	INS	1			826-2-2416-51000
	135	623 306 2525	CLAMPER	6			854-2-5323-14400
	136	623 317 3276	HOSE	1			826-2-4204-69100
	137	623 333 5261	MTG	1			826-2-4360-51401
⚠	138	623 317 8851	PNL ASSY	1	PLC-312-P2		826-0-1121-14200
	139	623 317 9650	HOSE	1			826-2-4204-69200
	140	623 332 3145	EXH MUFFLER ASSY	1			826-0-1226-17200
	141	623 332 3046	THERMISTOR ASSY K	1			8FA-0-5259-76200
	142	623 317 9384	MTG MUFFLER	2			826-2-1236-17601
	143	623 313 4239	HOSE	1	13202-FY500		826-2-4204-68100
	144	638 020 4021	HOSE BAND	4			826-2-4294-20400
	145	623 332 9666	TUBE	1			826-2-1216-35500
	146	623 313 4246	HOSE	1			826-2-4204-68000
	147	623 166 9542	VALVE EXHAUST	4			826-9-9536-04464
	148	623 166 9535	VALVE INTAKE	4	13201-FY500	826-9-9536-04463	
	149	623 166 9528	CAM SHAFT	1	13001-FY500	826-9-9536-04462	
	150	623 197 4677	CRANK PULLY ASSY	1	12307-FZ90B	826-9-9536-06130	
	151	623 166 9580	SEAL OIL	1	13510-FZ904	826-9-9536-04468	
	152	638 020 8159	WADGE	1	12307-FZ910	826-9-9536-03529	

4-2. ENGINE

U-25GE3E5

CLASS	FIGURE No.	PART CODE	PART NAME	Q' TY	SPECIFICATIONS	MAIN MODEL	LOVATION No. (P/N)
	153	638 020 8166	WASHER	1	12308-W3400		826-9-9536-03530
	154	638 020 8173	BOLT	1	12309-29S00		826-9-9536-03531
	155	638 015 4463	CAP	1			826-2-1223-12100
	156	638 015 5033	NUT SPECIAL	4			826-2-1271-11101
	157	623 177 0675	PKG	1			826-2-2412-73500
	158	623 177 0668	PRESSURE SWITCH	1			1FA-4-S1H0-07300
	159	623 193 9508	SEMUSU ROBO 4X10(+)	3			3-9255-41001



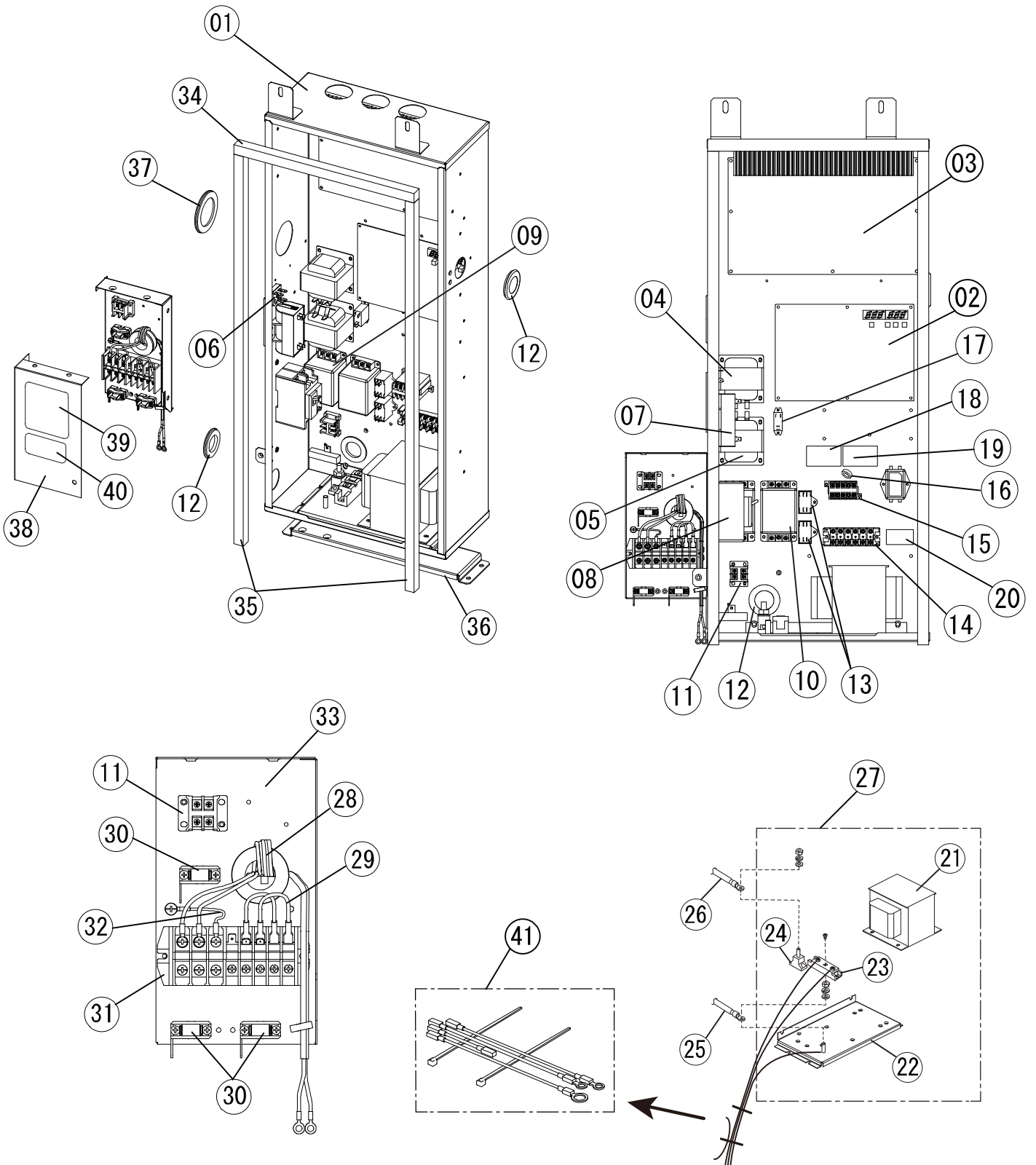
5-2. COOLER

U-25GE3E5

CLASS	FIGURE No.	PART CODE	PART NAME	Q' TY	SPECIFICATIONS	MAIN MODEL	LOVATION No. (P/N)
⚠	01	623 175 8376	PUMP	1			826-2-4541-13300
	02	623 182 8376	HOSE	1			826-2-4204-57400
	03	ACPK87C0007	SERVICE PARTS COMPLETE	1			ACXK87C00070
	04	623 169 0317	HOSE	1			826-2-4204-51000
	05	623 333 7951	TUBE 1 ASSY	1			826-0-4228-58600
	06	623 166 8569	HOSE	10			826-2-4204-50600
	07	623 183 0621	HOSE	1			826-2-4204-57200
	08	623 333 7968	TUBE 1 ASSY	1			826-0-4228-58700
	09	623 333 7975	TUBE 1	1			826-2-4248-21700
	10	623 333 8934	TUBE 1	1			826-2-4248-22500
	11	623 333 7982	TUBE 1	1			826-2-4248-21600
	12	623 301 2506	HOSE	1			826-2-4204-63700
	13	623 333 7999	TUBE 1	1			826-2-4248-20900
	14	623 303 6427	HOSE	1			826-2-4204-67000
	15	623 333 8927	TUBE 1	1			826-2-4248-22400
⚠	16	623 333 6909	MTG	1			826-2-4360-48600
	17	623 333 8002	MTG	1			826-2-4360-58200
	18	623 166 8507	SOL CONTROL VALVE	2	TJV-0101		826-2-4505-11800
	20	623 317 9933	MTG	1			826-2-4360-49001
	21	623 332 9291	MTG PUMP	1			826-2-4310-21501
	22	623 330 6278	MTG PUMP	1			826-2-4310-21001
	23	638 001 0639	PROTECTION RUB	2			826-2-4350-11000
	24	638 019 8634	MTG	2			826-2-4340-93201
	25	623 158 5972	HOSE BAND	26			826-2-4294-20800
	26	638 020 3833	HOSE BAND	4			826-2-4294-20600
	27	623 333 8019	TUBE 1	1			826-2-4248-21200
	28	623 166 6121	INS	1			826-2-2416-40700
	29	623 166 8422	INS	1			826-2-2416-40500
	30	623 166 6107	INS	1			826-2-2416-40400
	31	623 166 6114	INS	1			826-2-2416-40600
	32	623 333 8026	HEAT EXCH ASSY	1			826-0-4112-47600
	33	623 333 8101	HEAT EXCH ASSY(S)	1			826-9-9536-06638
	34	623 321 1220	MTG HEAT EXCH	1			826-2-4308-33301
	35	623 333 8033	MTG HEAT EXCH	1			826-2-4308-34601
	36	623 333 8040	MTG HEAT EXCH	1			826-2-4308-34501
	37	623 333 8057	TUBE 1 ASSY	1			826-0-4228-58900
	38	623 333 8064	TUBE 1 ASSY	1			826-0-4228-58800
	39	623 333 6916	PL MTG SOCKET	1			826-2-4315-12901
	40	623 169 0171	PL MTG SOCKET	2			826-2-4315-12601
	41	638 020 5240	HOSE	1			826-2-4204-38200
	42	623 300 8301	CAP	1			826-2-1254-12500
	43	638 017 3648	INS	1			825-2-5327-22500
	44	638 020 4038	HOSE BAND	2			826-2-4294-20000

6.ELECTRIC CONTROL

U-16·20·25·30GE3E5



Harnessnumber		Wiring Connection part
42	16GE3E5-W	Fuel Gas Valve, Fuel Gas Adjustment Valve, Fuel Gas Low Pressure SW, Drain Filter Heater 1·2, Crank Angle Sensor, Cam Angle Sensor, IG Coil 1·2, IG Coil 3·4, Throttle, Starter S Terminal, Refrigerant Low Pressure Sensor, Refrigerant High Pressure Sensor, Oil Pressure SW, Cooling Water 3-Way Moter Valve, Refrigerant Expansion Valve 1-1, Refrigerant Expansion Valve 1-2, Liquid Valve, By-Pass Valve, Cluch Coil 1, Cluch Coil 2, Refrigerant High Pressure SW, Crank Case Heater, Oil Pump, Hot Water 3-Way Moter Valve, Oil Recovery Valve,
	30GE3E5-W	Thermistor TH1 (Compressor Suction Temp), Thermistor TH2 (Compressor Discharge Temp), Thermistor TH3 (Heat Exchanger Liquid Ref Temp), Thermistor TH6 (Cooling Water Temp), Thermistor TH7 (Ambient Temp), Thermistor TH8 (Cluch Coil Temp), Thermistor TH9 (Exhaust Gas Catalyst Temp), Thermistor TH14 (Cluch Coil2 Temp)

6. ELECTRIC CONTROL

U-16-20-25-30GE3E5

CLASS	FIGURE No.	PART CODE	PART NAME	Q' TY	SPECIFICATIONS	MAIN MODEL	LOVATION No. (P/N)
	1	623 333 8729	ELEC J-B ASSY	1			826-0-5307-25801
⚠	2	623 333 8712	CB ASSY	1	CB-GE3MAIN		825-9-9536-00737
⚠	3	623 333 8743	CB ASSY	1	CB-GE3POW		8FA-0-5182-00400
⚠	4	623 177 0774	REACTOR	1	R702A		1FA-4-L5C0-11300
⚠	5	623 177 0781	REACTOR	1	R273AA		1FA-4-L5C0-11400
⚠	6	307 003 7006	DI DBA250G	1	DBA250G		BOF-F-CR00-0002
⚠	7	623 321 5938	MOT CAPACITOR	1	RU40B306U3376A		FOD-A-H306-0024
⚠	8	623 321 1268	FUSE	1	EW32AAG-2P020B		K5K-Y-YAYO-A010
⚠	9	623 193 9645	LCR FILTER	1	SUP-EK10-ER-6		1FA-4-F3A0-07000
⚠	10	623 193 9652	LCR FILTER	1	SUP-EQ30-ER-6		1FA-4-F3A0-06900
⚠	11	623 332 6474	TERMINAL BASE	2	HP-T3020C-1-2P		1FA-4-J3A0-52300
	12	623 000 0766	EYELET	3			3-9041-01800
⚠	13	623 307 5839	FILM CAPACITOR	2	HFC-MPP2J105K		1FA-4-C1C0-13300
⚠	14	623 303 8087	TERMINAL BASE	1	HP-T3052-1-6P		1FA-4-J3A0-34500
⚠	15	623 193 9546	MAGNET SWITCH	1	FC-OSZ683 AC240V		1FA-4-S2B0-24900
⚠	16	623 332 3022	POWER TRANS K	1	CL-9		8FA-0-5263-11800
⚠	17	623 330 6681	POWER RELAY	1	G2R-1A-T DC12		K6C-1-AGA0-0009
	18	623 307 5815	CAUTION LABEL	1			826-6-4759-50600
	19	623 193 9577	CAUTION LABEL	1			826-6-4759-21200
	20	623 307 5822	CAUTION LABEL	1			826-6-4759-51800
⚠	21	623 333 8750	POWER TRANS	1	ATR-700GE3		1FA-4-L5A0-26800
	22	623 333 8767	MTG ASSY	1			826-0-4340-36001
⚠	23	623 332 3152	DIODE	1	DAF160AA40		BOF-F-MP00-0002
⚠	24	623 184 0279	TERMINAL BASE	1	HP-T3075		1FA-4-J3A0-24200
⚠	25	623 301 2636	WIRE K	1			8FA-0-5286-03500
⚠	26	623 301 2643	WIRE K	1			8FA-0-5286-03400
⚠	27	623 333 9009	POWER ASSY	1			825-0-5104-29300
⚠	28	623 333 8781	WIRE K	1			8FA-0-5288-30200
⚠	29	623 333 8798	WIRE K	1			8FA-0-5286-24100
⚠	30	623 140 7595	CLIP WIRE	3			852-2-5304-16700
⚠	31	623 179 0451	TERMINAL BASE	1	UKT50-3+15S-5J		1FA-4-J3A0-23700
⚠	32	623 333 8804	WIRE K	1			8FA-0-5288-31200
⚠	33	623 333 8811	ELEC J-B	1			826-2-5307-28701
⚠	34	623 301 2599	PKG	1			826-2-2501-19600
⚠	35	623 317 9568	PKG	2			826-2-2501-25000
⚠	36	623 333 8491	MTG ELEC	1			826-2-5319-48000
⚠	37	623 000 0797	EYELET	1			3-9041-01901
⚠	38	623 321 1275	COV ELEC J-B	1			826-2-5315-46801
	39	623 333 9030	CAUTION LABEL	1			826-6-4759-51400
	40	ACPF75-1238	CAUTION LABEL	1			ACXF75-12380
⚠	41	623 333 8835	WIRE K	1			8FA-0-5288-29000
⚠	42	623 333 9016	HARNESS	1	16GE3E5-W	U-16-20GE3	825-2-5265-23700
⚠	42	623 333 9023	HARNESS	1	30GE3E5-W	U-25-30GE3	825-2-5265-23800