

Panasonic

Parts List

File No.

Air Conditioner

RoHS

• This product does not contain any hazardous substances prohibited by the **RoHS** Directive.

WARNING

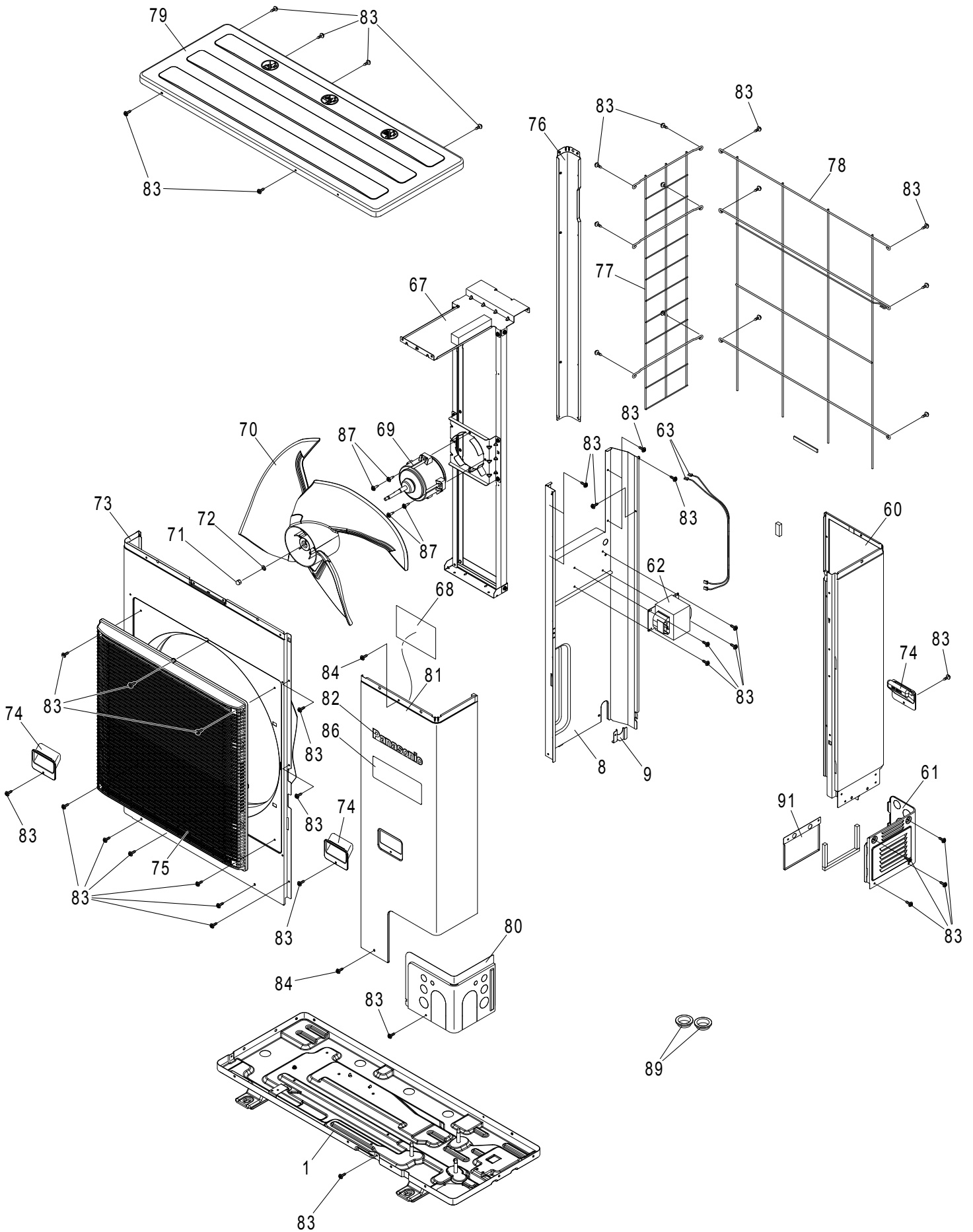
- You are requested to use **RoHS** compliant parts for maintenance or repair.
- You are requested to use lead-free solder.

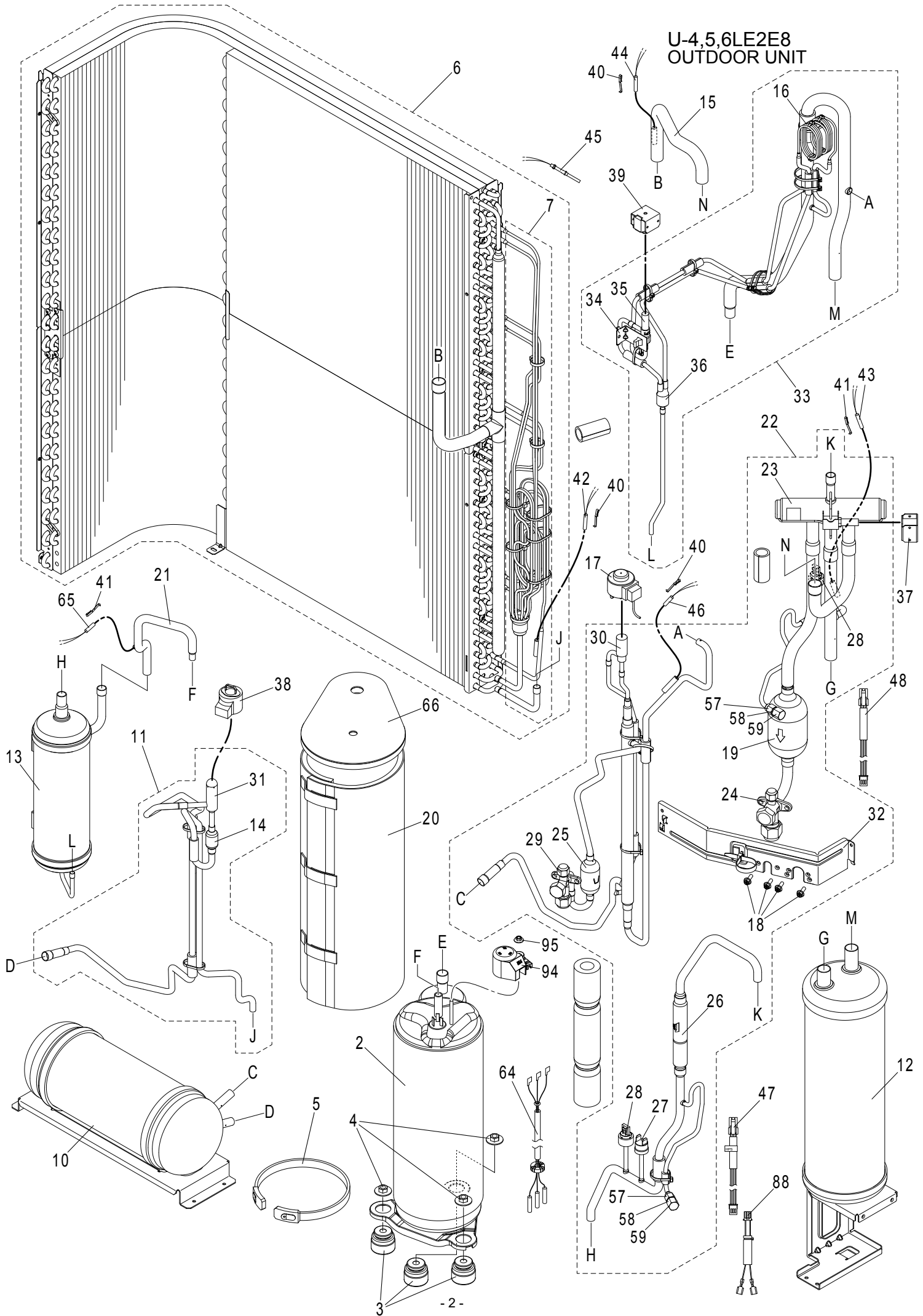
REFERENCE No.PL 834775-01

—— CONTENTS ——

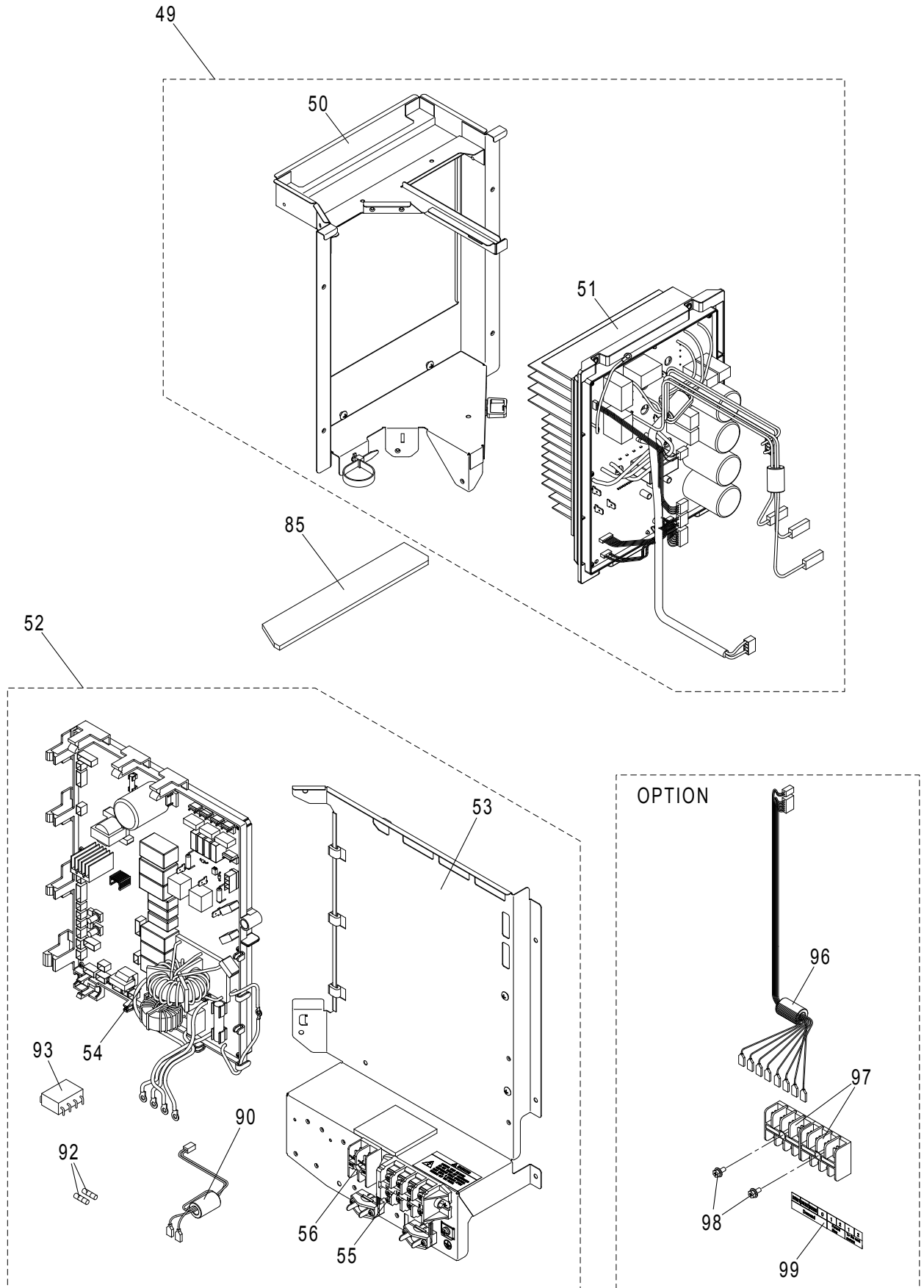
	Model No.	Page
OUTDOOR UNIT	U-4LE2E8	1
	U-5LE2E8	1
	U-6LE2E8	1

U-4,5,6LE2E8
OUTDOOR UNIT





U-4,5,6LE2E8
OUTDOOR UNIT



ATTENTION!

To ensure correct parts supply, please let us know the following,

Part No. when you make service parts order:

1.Part No. 2.Description 3.Q'ty 4.Volts-Hz-Ph 5.Product Model No.

Europe
U-4,5,6LE2E8
OUTDOOR UNIT

KeyNo.	Description	4Q'ty	5Q'ty	6Q'ty	Reference No.	Available in EyesG21
1	BASE PAN ASSY	1	1	1	ACXD52K01760A	o
* 2	COMPRESSOR (ACXB09-05810)	1	1	1	5VD420XFA21	o
3	ANTI-VIBRATION BUSHING	3	3	3	ACXH50-00480	o
4	NUT	3	3	3	CWH561049	o
* 5	HEATER	1	1	1	ACXA34-01410	o
6	FIN & TUBE CONDENSER COMPLETE	1	1	1	ACXB32C09430	o
7	MANIFOLD TUBE ASSY	1	1	1	ACXT07K04300	o
8	SOUND-PROOF BOARD-COMPLETE	1	1	1	ACXH15C00560	o
9	PARTICULAR PIECE	1	1	1	ACXD93-09980	
10	RECEIVER ASSY	1	1	1	ACXB14K00080	o
11	TUBE ASSY-COMPLETE	1	1	1	ACXT00C17690	
12	ACCUMULATOR	1	1	1	ACXB13-00280	o
13	OIL SEPARATER	1	1	1	ACXB16-00080	o
* 14	STRAINER	1	1	1	CWB111062	o
15	TUBE ASSY	1	1	1	ACXT00-32330	
16	CAPILLARY TUBE	1	1	1	CWB153571	o
* 17	V-COIL COMPLETE (MOV4)	1	1	1	ACXA43C05620	o
18	SCREW	4	4	4	CWH55440J	
* 19	STRAINER	1	1	1	ACXB11-00640	o
20	SOUND PROOF MATERIAL	1	1	1	ACXG30-04820	o
21	TUBE ASSY	1	1	1	ACXT00-32570	
22	TUBE ASSY-COMPLETE	1	1	1	ACXT00C22850	
* 23	4-WAYS VALVE	1	1	1	CWB001046	o
* 24	3-WAYS VALVE	1	1	1	ACXB01-03420	o
* 25	STRAINER	1	1	1	CWB111092	o
* 26	CHECK VALVE	1	1	1	CWB031110	o
* 27	PRESSURE SWITCH	1	1	1	CWA101033	o
* 28	PRESSURE SENSING DEVICE	2	2	2	CWA501463	o
* 29	3-WAYS VALVE	1	1	1	ACXB01-03860	o
* 30	EXPANTION VALVE	1	1	1	CWB051050	o
* 31	EXPANTION VALVE	1	1	1	CWB051064	o
32	PARTICULAR PLATE	1	1	1	ACXD90-18680	
33	TUBE ASSY-COMPLETE	1	1	1	ACXT00C17680	
34	PARTICULAR PLATE	1	1	1	CWD912682	
* 35	2-WAYS VALVE	1	1	1	CWB021604	o
* 36	STRAINER	1	1	1	CWB111058	o
* 37	V-COIL COMPLETE (20S)	1	1	1	ACXA43C02650	o
* 38	V-COIL COMPLETE (MOV1)	1	1	1	ACXA43C05610	o
* 39	V-COIL COMPLETE (ORVR)	1	1	1	ACXA43C05630	o
40	PLATE SPRING	3	3	3	CWH711010	
41	PLATE SPRING	2	2	2	CWH711013	
* 42	THERMISTOR(EXL)	1	1	1	ACXA50C13440	o
* 43	THERMISTOR(SCT)	1	1	1	ACXA50C13460	o
* 44	THERMISTOR(EXG)	1	1	1	ACXA50C13450	o
* 45	THERMISTOR(TO)	1	1	1	ACXA50C13420	o
* 46	THERMISTOR(SCG)	1	1	1	ACXA50C13470	o
* 47	LEAD WIRE-COMPLETE (HPS)	1	1	1	ACXA60C65170	
* 48	LEAD WIRE-COMPLETE (LPS)	1	1	1	ACXA60C65180	
49	CONTROL BOARD-COMPLETE	1	1	1	ACXH10C58070	
50	CONTROL BOARD ASSY	1	1	1	ACXH10K00950	o

NOTE: Metal and plastic parts will be supplied basically with necessary heat insulation pads or packing. Each key number with an asterisk (*) means the recommended service parts.

ATTENTION!

To ensure correct parts supply, please let us know the following,

Part No. when you make service parts order:

1.Part No. 2.Description 3.Q'ty 4.Volts-Hz-Ph 5.Product Model No.

Europe
U-4,5,6LE2E8
OUTDOOR UNIT

KeyNo.	Description	4Q'ty	5Q'ty	6Q'ty	Reference No.	Available in EyesG21
* 51	ELECTRONIC CONTROLLER-COMplete (HIC)	1	1	1	ACXA73C30210	o
52	CONTROL BOARD-COMplete	1	1	1	ACXH10C64510	
53	CONTROL BOARD ASSY	1	1	1	ACXH10K00960	o
* 54	PC BOARD W/COMPONENT	1	1	1	ACXA73C30190	o
* 55	TERMINAL BOARD ASSY	1	1	1	A28K1109	o
* 56	TERMINAL BOARD ASSY	1	1	1	CWA28K1267	o
57	TUBE CONNECTER	2	2	2	CWT291170	
* 58	CHECK VALVE	2	2	2	CWB031094	o
59	CAP	2	2	2	CWH521254	
60	CABINET REAR PLATE-COMplete	1	1	1	ACXE02C00430	o
61	L-SHAPED PLATE	1	1	1	CWD601317A	o
* 62	FIXED INDUCTORS	1	1	1	G0C123J00034	o
* 63	LEAD WIRE-COMplete (RE1/RE2)	2	2	2	ACXA60C67070	
* 64	LEAD WIRE-COMplete (COMPRESSOR)	1	1	1	ACXA60C08160	
* 65	THERMISTOR (DISCH)	1	1	1	ACXA50C13430	o
66	SOUND PROOF MATERIAL	1	1	1	ACXG30-04830	o
67	FAN MOTOR BRACKET ASSY	1	1	1	ACXD54K01830	o
* 68	WIRING DIAGRAM (CU)	1	1	1	ACXF22-06570	
* 69	DC MOTORS (BRUSHLESS GENERAL USE)	1	1	1	L6CBYYL0245	o
70	FAN ASSY	1	1	1	CWH03K1103	o
71	NUT	1	1	1	CWH561112A	o
72	WASHER	1	1	1	CWH571075A	o
73	CABINET FRONT PLATE	1	1	1	ACXE06-01480A	o
74	HANDLE	3	3	3	CWE161024	o
75	DISCHARGE GRILLE	1	1	1	CWE201236	o
76	CABINET SIDE PLATE	1	1	1	ACXE04-04940A	o
77	WIRE NET.RESIN NET	1	1	1	ACXD04-00860A	o
78	WIRE NET.RESIN NET	1	1	1	ACXD04-02300A	o
79	CABINET TOP PLATE-COMplete	1	1	1	ACXE03C00630	o
80	L-SHAPED PLATE	1	1	1	CWD601316A	o
81	CABINET FRONT PLATE-COMplete	1	1	1	ACXE06C01680	o
82	BADGE	1	1	1	CWE373439	o
83	SCREW	69	69	69	CWH551398	
84	SCREW	2	2	2	CWH551391	
85	ADH.EPT SEAL	1	1	1	ACXG32-00710	
86	BADGE	1	1	1	CWE374632	o
87	SCREW	4	4	4	CWH551455	
* 88	LEAD WIRE-COMplete (63PH)	1	1	1	ACXA60C65190	
89	BUSHING	2	2	2	CWH511089	
* 90	LEAD WIRE-COMplete (OC)	1	1	1	ACXA60C65600	
91	PARTICULAR PIECE	1	1	1	ACXD93-09960	
* 92	FUSE 20A 500V	2	2	2	K5D203YYA059	o
* 93	IC COMPLETE	1	-	-	ACXA52C01030	o
* 93	IC COMPLETE	-	1	-	ACXA52C01040	o
* 93	IC COMPLETE	-	-	1	ACXA52C01050	o
94	TERMINAL COVER	1	1	1	CWH171054	o
95	NUT	1	1	1	CW7080300J	o
* 96	LEAD WIRE-COMplete (OPT1, OPT2)	1	1	1	ACXA60C64510	
* 97	TERMINAL BOARD ASSY	2	2	2	ACXA28K02540	o
98	SCREW	2	2	2	XTN4+20JFJ	

NOTE: Metal and plastic parts will be supplied basically with necessary heat insulation pads or packing. Each key number with an asterisk (*) means the recommended service parts.

