

Panasonic

Parts List

File No.

Air Conditioner

! RoHS

• This product does not contain any hazardous substances prohibited by the **RoHS** Directive.

! WARNING

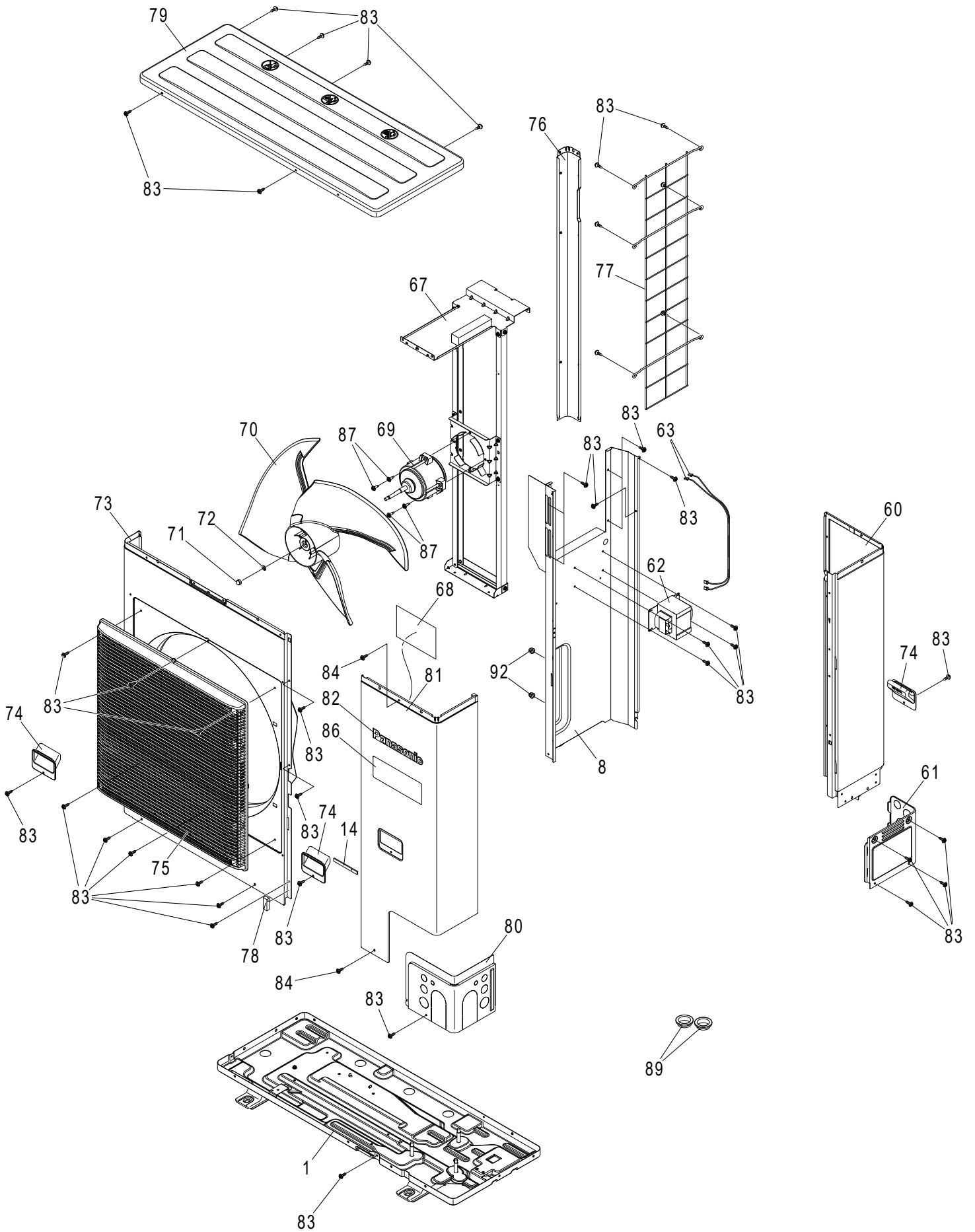
- You are requested to use **RoHS** compliant parts for maintenance or repair.
- You are requested to use lead-free solder.

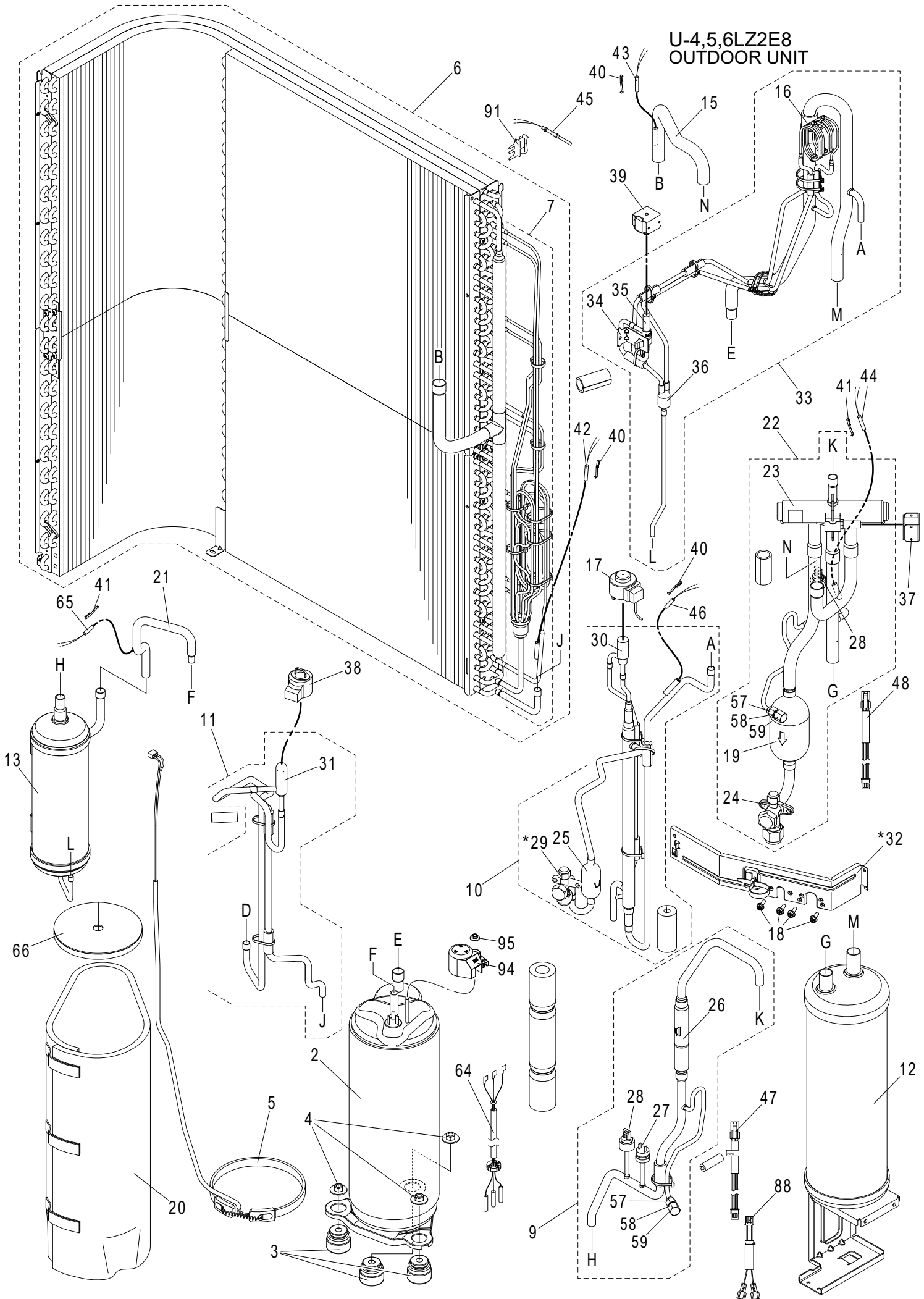
REFERENCE No.PL834808

—— CONTENTS ——

| | Model No. | Page |
|--------------|-----------|------|
| OUTDOOR UNIT | U-4LZ2E8 | 1 |
| | U-5LZ2E8 | 1 |
| | U-6LZ2E8 | 1 |

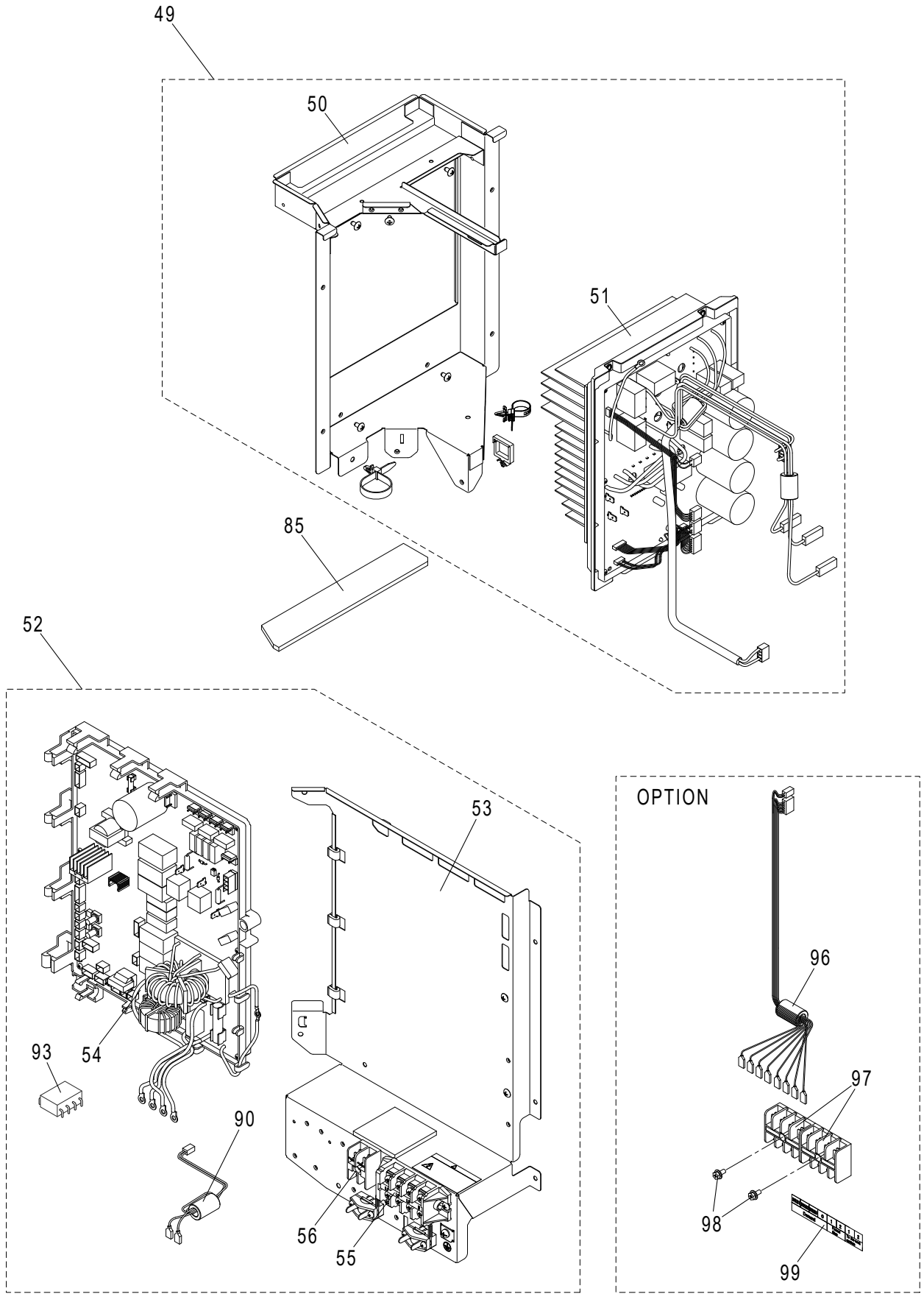
U-4,5,6LZ2E8
OUTDOOR UNIT





* In case you change KeyNo.29 '3-WAYS VALVE',
don't fail to change KeyNo.32 'PARTICULAR PLATE' at the same time.

U-4,5,6LZ2E8
OUTDOOR UNIT



ATTENTION!

To ensure correct parts supply, please let us know the following,

Part No. when you make service parts order:

1.Part No. 2.Description 3.Q'ty 4.Volts-Hz-Ph 5.Product Model No.

Europe

U-4,5,6LZ2E8

OUTDOOR UNIT

| KeyNo. | Description | 4HP Q'ty | 5HP Q'ty | 6HP Q'ty | Reference No. | Available in EyesG21 |
|--------|-------------------------------|-------------|-------------|-------------|---------------|-------------------------|
| 1 | BASE PAN ASSY | 1 | 1 | 1 | ACXD52K02950A | o |
| * 2 | COMPRESSOR (ACXB09-07620) | 1 | 1 | 1 | 9VD420XBC21 | o |
| 3 | ANTI-VIBRATION BUSHING | 3 | 3 | 3 | ACXH50-00480 | o |
| 4 | NUT | 3 | 3 | 3 | CWH561049 | o |
| * 5 | HEATER | 1 | 1 | 1 | ACXA34-01410 | o |
| 6 | FIN & TUBE CONDENSER COMPLETE | 1 | 1 | 1 | ACXB32C09431 | o |
| 7 | MANIFOLD TUBE ASSY | 1 | 1 | 1 | ACXT07K04300 | o |
| 8 | SOUND-PROOF BOARD-COMPLETE | 1 | 1 | 1 | ACXH15C00630 | o |
| 9 | TUBE ASSY-COMPLETE | 1 | 1 | 1 | ACXT00C29290 | |
| 10 | TUBE ASSY-COMPLETE | 1 | 1 | 1 | ACXT00C29130 | |
| 11 | TUBE ASSY-COMPLETE | 1 | 1 | 1 | ACXT00C29120 | |
| 12 | ACCUMULATOR | 1 | 1 | 1 | ACXB13-00780 | o |
| 13 | OIL SEPARATER | 1 | 1 | 1 | ACXB16-00081 | o |
| * 14 | EPT SEAL | 1 | 1 | 1 | ACXD3A10-96 | |
| 15 | TUBE ASSY | 1 | 1 | 1 | ACXT00-32330 | |
| 16 | CAPILLARY TUBE | 1 | 1 | 1 | ACXB15-20170 | o |
| * 17 | V-COIL COMPLETE (MOV4) | 1 | 1 | 1 | ACXA43C05620 | o |
| 18 | SCREW | 4 | 4 | 4 | CWH55440J | |
| * 19 | STRAINER | 1 | 1 | 1 | ACXB11-00640 | o |
| 20 | SOUND PROOF MATERIAL | 1 | 1 | 1 | ACXG30-10020 | o |
| 21 | TUBE ASSY | 1 | 1 | 1 | ACXT00-32570 | |
| 22 | TUBE ASSY-COMPLETE | 1 | 1 | 1 | ACXT00C17651 | |
| * 23 | 4-WAYS VALVE | 1 | 1 | 1 | CWB001046 | o |
| * 24 | 3-WAYS VALVE | 1 | 1 | 1 | ACXB01-03420 | o |
| * 25 | STRAINER | 1 | 1 | 1 | CWB111092 | o |
| * 26 | CHECK VALVE | 1 | 1 | 1 | CWB031110 | o |
| * 27 | PRESSURE SWITCH | 1 | 1 | 1 | CWA101013 | o |
| * 28 | PRESSURE SENSING DEVICE | 2 | 2 | 2 | CWA501463 | o |
| * 29 | 3-WAYS VALVE | 1 | 1 | 1 | ACXB01-03860 | o |
| * 30 | EXPANTION VALVE | 1 | 1 | 1 | CWB051050 | o |
| * 31 | EXPANTION VALVE | 1 | 1 | 1 | CWB051064 | o |
| 32 | PARTICULAR PLATE | 1 | 1 | 1 | ACXD90-18680 | |
| 33 | TUBE ASSY-COMPLETE | 1 | 1 | 1 | ACXT00C30620 | |
| 34 | PARTICULAR PLATE | 1 | 1 | 1 | CWD912682 | |
| * 35 | 2-WAYS VALVE | 1 | 1 | 1 | CWB021604 | o |
| * 36 | STRAINER | 1 | 1 | 1 | CWB111058 | o |
| * 37 | V-COIL COMPLETE (20S) | 1 | 1 | 1 | ACXA43C02650 | o |
| * 38 | V-COIL COMPLETE (MOV1) | 1 | 1 | 1 | ACXA43C05610 | o |
| * 39 | V-COIL COMPLETE (ORVR) | 1 | 1 | 1 | ACXA43C05630 | o |
| 40 | PLATE SPRING | 3 | 3 | 3 | CWH711010 | |
| 41 | PLATE SPRING | 2 | 2 | 2 | CWH711013 | |
| * 42 | THERMISTOR (EXL) | 1 | 1 | 1 | ACXA50C13440 | o |
| * 43 | THERMISTOR (EXG) | 1 | 1 | 1 | ACXA50C13450 | o |
| * 44 | THERMISTOR (SCT) | 1 | 1 | 1 | ACXA50C13460 | o |
| * 45 | THERMISTOR (TO) | 1 | 1 | 1 | ACXA50C13420 | o |
| * 46 | THERMISTOR (SCG) | 1 | 1 | 1 | ACXA50C13470 | o |
| * 47 | LEAD WIRE-COMPLETE (HPS) | 1 | 1 | 1 | ACXA60C65170 | o |
| * 48 | LEAD WIRE-COMPLETE (LPS) | 1 | 1 | 1 | ACXA60C65180 | o |
| 49 | CONTROL BOARD-COMPLETE | 1 | 1 | 1 | ACXH10C65870 | |
| 50 | CONTROL BOARD ASSY | 1 | 1 | 1 | ACXH10K00950 | |

NOTE: Metal and plastic parts will be supplied basically with necessary heat insulation pads or packing. Each key number with an asterisk (*) means the recommended service parts.

ATTENTION!

To ensure correct parts supply, please let us know the following,

Part No. when you make service parts order:

1.Part No. 2.Description 3.Q'ty 4.Volts-Hz-Ph 5.Product Model No.

Europe

U-4,5,6LZ2E8

OUTDOOR UNIT

| KeyNo. | Description | 4HP Q'ty | 5HP Q'ty | 6HP Q'ty | Reference No. | Available in EyesG21 |
|--------|--------------------------------------|-------------|-------------|-------------|---------------|-------------------------|
| * 51 | ELECTRONIC CONTROLLER-COMplete (HIC) | 1 | 1 | 1 | ACXA73C30211 | o |
| 52 | CONTROL BOARD-COMplete | 1 | 1 | 1 | ACXH10C80130 | |
| 53 | CONTROL BOARD ASSY | 1 | 1 | 1 | ACXH10K00960 | o |
| * 54 | PC BOARD W/COMPONENT | 1 | 1 | 1 | ACXA73C56540 | o |
| * 55 | TERMINAL BOARD ASSY | 1 | 1 | 1 | CWA28K1109 | o |
| * 56 | TERMINAL BOARD ASSY | 1 | 1 | 1 | CWA28K1267 | o |
| 57 | TUBE CONNECTER | 2 | 2 | 2 | CWT291170 | o |
| * 58 | CHECK VALVE | 2 | 2 | 2 | CWB031094 | o |
| 59 | CAP | 2 | 2 | 2 | CWH521254 | |
| 60 | CABINET REAR PLATE-COMplete | 1 | 1 | 1 | ACXE02C00431 | o |
| 61 | L-SHAPED PLATE | 1 | 1 | 1 | ACXD60-04380A | o |
| * 62 | FIXED INDUCTORS | 1 | 1 | 1 | G0C123J00034 | o |
| * 63 | LEAD WIRE-COMplete (RE1/RE2) | 2 | 2 | 2 | ACXA60C67070 | o |
| * 64 | LEAD WIRE-COMplete (COMPRESSOR) | 1 | 1 | 1 | ACXA60C08160 | o |
| * 65 | THERMISTOR (DISCH) | 1 | 1 | 1 | ACXA50C13430 | o |
| 66 | SOUND PROOF MATERIAL | 1 | 1 | 1 | ACXG30-08960 | o |
| 67 | FAN MOTOR BRACKET ASSY | 1 | 1 | 1 | ACXD54K01830 | o |
| * 68 | WIRING DIAGRAM (CU) | 1 | 1 | 1 | ACXF22-06571 | |
| * 69 | DC MOTORS (BRUSHLESS GENERAL USE) | 1 | 1 | 1 | L6CBYYYYL0305 | o |
| 70 | FAN ASSY | 1 | 1 | 1 | CWH03K1103 | o |
| 71 | NUT | 1 | 1 | 1 | CWH561112A | o |
| 72 | WASHER | 1 | 1 | 1 | CWH571075A | o |
| 73 | CABINET FRONT PLATE-COMplete | 1 | 1 | 1 | ACXE06C03800 | o |
| 74 | HANDLE | 3 | 3 | 3 | CWE161024 | o |
| 75 | DISCHARGE GRILLE | 1 | 1 | 1 | CWE201236 | o |
| 76 | CABINET SIDE PLATE | 1 | 1 | 1 | ACXE04-04940A | o |
| 77 | WIRE NET.RESIN NET | 1 | 1 | 1 | ACXD04-00860A | o |
| 78 | EPT SEAL | 1 | 1 | 1 | ACXD15A10-40 | |
| 79 | CABINET TOP PLATE-COMplete | 1 | 1 | 1 | ACXE03C00630 | o |
| 80 | L-SHAPED PLATE | 1 | 1 | 1 | CWD601316A | o |
| 81 | CABINET FRONT PLATE-COMplete | 1 | 1 | 1 | ACXE06C01680 | o |
| 82 | BADGE | 1 | 1 | 1 | CWE373439 | o |
| 83 | SCREW | 59 | 59 | 59 | CWH551398 | |
| 84 | SCREW | 2 | 2 | 2 | CWH551391 | o |
| 85 | ADH.EPT SEAL | 1 | 1 | 1 | ACXG32-00710 | |
| 86 | BADGE | 1 | 1 | 1 | CWE374632 | o |
| 87 | SCREW | 4 | 4 | 4 | CWH551455 | o |
| * 88 | LEAD WIRE-COMplete (63PH) | 1 | 1 | 1 | ACXA60C65190 | o |
| 89 | BUSHING | 2 | 2 | 2 | CWH511089 | |
| * 90 | LEAD WIRE-COMplete (OC) | 1 | 1 | 1 | ACXA60C65600 | o |
| 91 | HOLDER-SENSOR | 1 | 1 | 1 | ACXH32-00580 | |
| * 92 | NUT | 2 | 2 | 2 | ACXH56-00020 | |
| * 93 | IC COMPLETE | 1 | - | - | ACXA52C01920 | o |
| * 93 | IC COMPLETE | - | 1 | - | ACXA52C01930 | o |
| * 93 | IC COMPLETE | - | - | 1 | ACXA52C01940 | o |
| 94 | TERMINAL COVER | 1 | 1 | 1 | CWH171054 | o |
| 95 | NUT | 1 | 1 | 1 | CW7080300J | o |
| * 96 | LEAD WIRE-COMplete (OPT1) (OPT2) | 1 | 1 | 1 | ACXA60C64510 | |
| * 97 | TERMINAL BOARD ASSY | 2 | 2 | 2 | ACXA28K02540 | |
| 98 | SCREW | 2 | 2 | 2 | XTN4+20JFJ | |

NOTE: Metal and plastic parts will be supplied basically with necessary heat insulation pads or packing.
Each key number with an asterisk (*) means the recommended service parts.

ATTENTION!

To ensure correct parts supply, please let us know the following,
Part No. when you make service parts order:

1.Part No. 2.Description 3.Q'ty 4.Volts-Hz-Ph 5.Product Model No.

Europe
U-4,5,6LZ2E8
OUTDOOR UNIT

| KeyNo. | Description | 4HP Q'ty | 5HP Q'ty | 6HP Q'ty | Reference No. | Available in EyesG21 |
|--------|--------------------------|-------------|-------------|-------------|---------------|-------------------------|
| 99 | INDICATION LABEL | 1 | 1 | 1 | CWF741839 | |
| - | INSTALLATION INSTRUCTION | 1 | 1 | 1 | ACXF60-40040 | |
| | | | | | | |
| | | | | | | |
| | | | | | | |
| | | | | | | |
| | | | | | | |
| | | | | | | |
| | | | | | | |
| | | | | | | |
| | | | | | | |
| | | | | | | |
| | | | | | | |
| | | | | | | |
| | | | | | | |
| | | | | | | |
| | | | | | | |
| | | | | | | |
| | | | | | | |
| | | | | | | |
| | | | | | | |
| | | | | | | |
| | | | | | | |
| | | | | | | |
| | | | | | | |
| | | | | | | |
| | | | | | | |
| | | | | | | |
| | | | | | | |
| | | | | | | |
| | | | | | | |
| | | | | | | |
| | | | | | | |
| | | | | | | |
| | | | | | | |
| | | | | | | |
| | | | | | | |
| | | | | | | |
| | | | | | | |
| | | | | | | |
| | | | | | | |
| | | | | | | |
| | | | | | | |
| | | | | | | |
| | | | | | | |
| | | | | | | |
| | | | | | | |
| | | | | | | |
| | | | | | | |
| | | | | | | |
| | | | | | | |
| | | | | | | |
| | | | | | | |
| | | | | | | |
| | | | | | | |
| | | | | | | |
| | | | | | | |
| | | | | | | |
| | | | | | | |

NOTE: Metal and plastic parts will be supplied basically with necessary heat insulation pads or packing. Each key number with an asterisk (*) means the recommended service parts.