

Panasonic

Parts List

File No.

Air Conditioner

RoHS

• This product does not contain any hazardous substances prohibited by the **RoHS** Directive.

WARNING

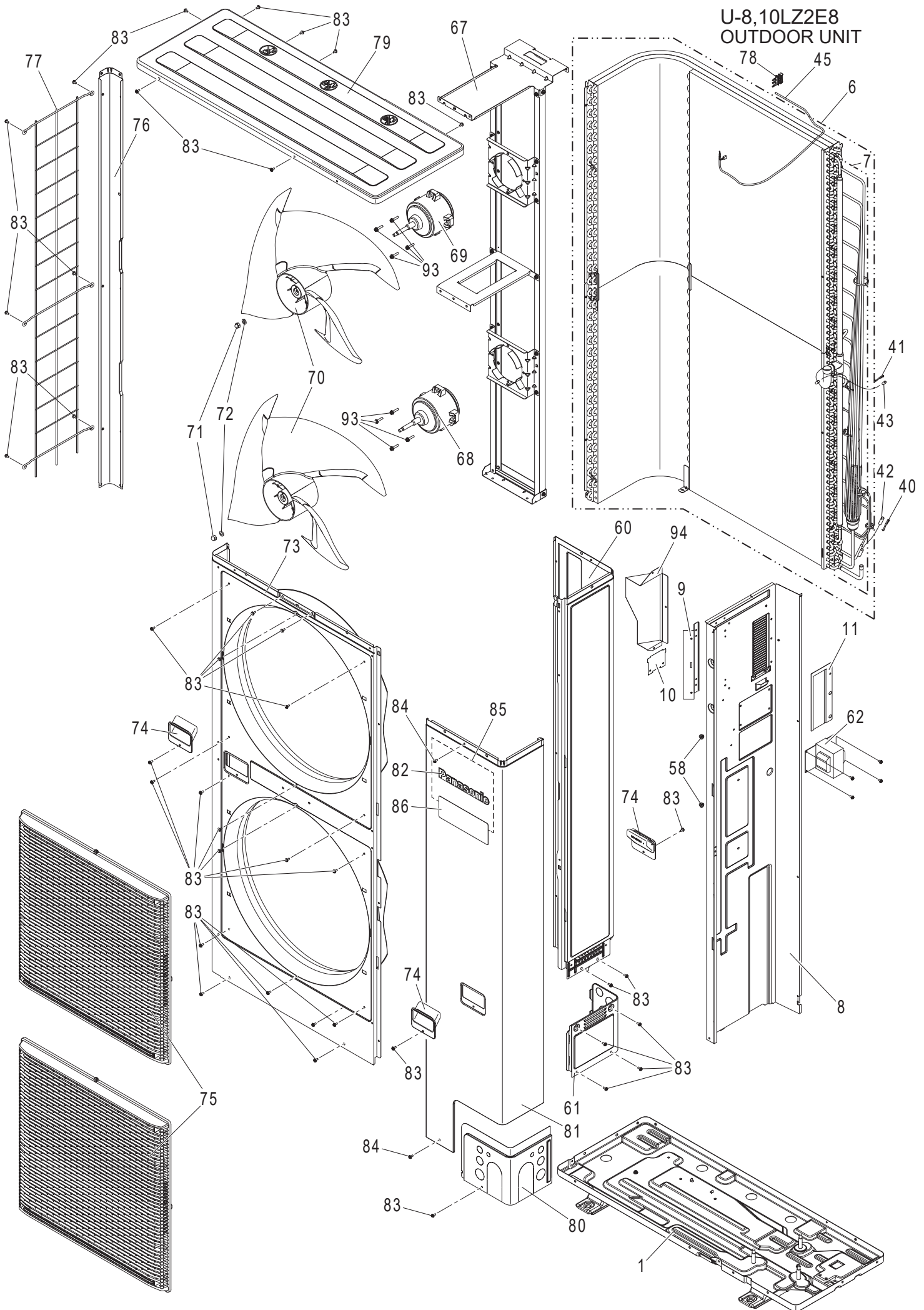
- You are requested to use **RoHS** compliant parts for maintenance or repair.
- You are requested to use lead-free solder.

REFERENCE No.PL834820-00

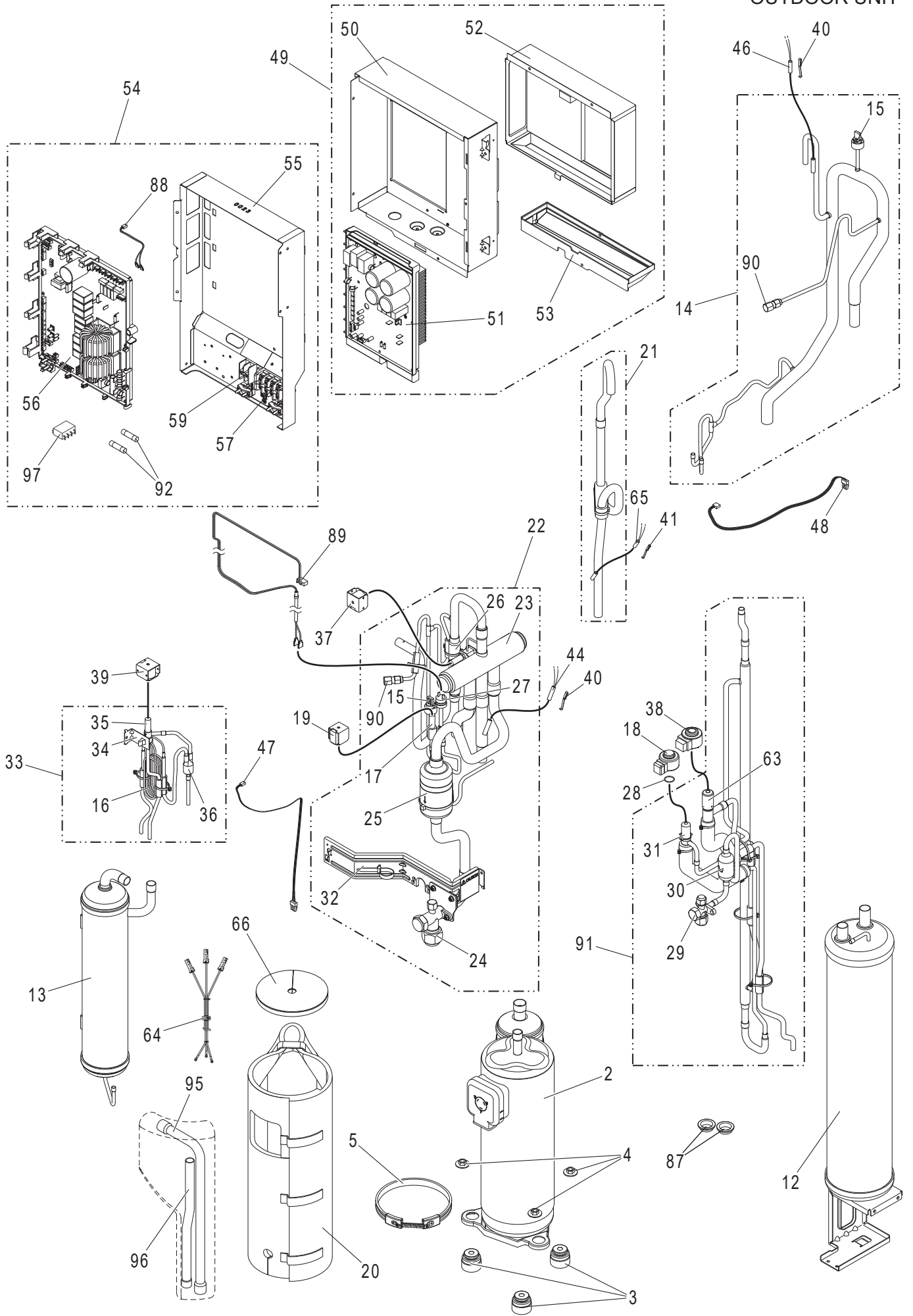
—— CONTENTS ——

| | Model No. | Page |
|--------------|-----------|------|
| OUTDOOR UNIT | U-8LZ2E8 | 1 |
| | U-10LZ2E8 | 1 |

U-8,10LZ2E8
OUTDOOR UNIT



U-8,10LZ2E8
OUTDOOR UNIT



ATTENTION!

To ensure correct parts supply, please let us know the following.

Part No. when you make service parts order:

1.Part No. 2.Description 3.Q'ty 4.Volts-Hz-Ph 5.Product Model No.

U-8,10LZ2E8

OUTDOOR UNIT

| KeyNo. | Description | 8Q'ty | 10Q'ty | Reference No. | Available in EyesG21 |
|--------|-------------------------------|-------|--------|---------------|----------------------|
| 1 | BASE PAN ASSY | 1 | 1 | ACXD52K03161A | O |
| * | 2 COMPRESSOR (ACXB09-08300) | 1 | 1 | 9VD650XAA21 | O |
| 3 | ANTI-VIBRATION BUSHING | 3 | 3 | ACXH50-00480 | O |
| 4 | NUT | 3 | 3 | CWH561049 | O |
| * | 5 HEATER | 1 | 1 | ACXA34-01530 | O |
| 6 | FIN & TUBE CONDENSER COMPLETE | 1 | 1 | ACXB32C22980 | O |
| 7 | MANIFOLD TUBE ASSY | 1 | 1 | ACXT07K09160 | O |
| 8 | SOUND-PROOF BOARD | 1 | 1 | ACXH15-03460 | O |
| 9 | PARTICULAR PIECE | 1 | 1 | CWD934083 | O |
| 10 | PARTICULAR PIECE | 1 | 1 | CWD934094 | |
| 11 | PARTICULAR PLATE | 1 | 1 | ACXD90-00620 | |
| 12 | ACCUMLATOR | 1 | 1 | ACXB13-00830 | O |
| 13 | OIL SEPARATER | 1 | 1 | ACXB16-00181 | O |
| 14 | TUBE ASSY-COMPLETE | 1 | 1 | ACXT00C35320 | |
| * | 15 PRESSURE SENSING DEVICE | 2 | 2 | CWA501463 | O |
| 16 | CAPILLARY TUBE | 1 | 1 | ACXB15-21490 | O |
| 17 | 2-WAYS VALVE | 1 | 1 | CWB021637 | O |
| 18 | V-COIL COMPLETE (MOV4) | 1 | 1 | ACXA43C06890 | O |
| * | 19 V-COIL COMPLETE (HGV) | 1 | 1 | ACXA43C06880 | O |
| 20 | SOUND PROOF MATERIAL | 1 | 1 | ACXG30-08950 | O |
| 21 | TUBE ASSY-COMPLETE | 1 | 1 | ACXT00C35340 | |
| 22 | TUBE ASSY-COMPLETE | 1 | 1 | ACXT00C35350 | |
| * | 23 4-WAYS VALVE | 1 | 1 | CWB001112 | O |
| * | 24 3-WAYS VALVE | 1 | 1 | CWB011645 | O |
| * | 25 STRAINER | 1 | 1 | ACXB11-00050 | O |
| * | 26 CHECK VALVE | 1 | 1 | CWB031110 | O |
| * | 27 PRESSURE SWITCH (HIGH) | 1 | 1 | CWA101013 | O |
| 28 | PACKING | 1 | 1 | ACXB81-06510 | |
| * | 29 3-WAYS VALVE | 1 | 1 | ACXB01-05200 | O |
| * | 30 STRAINER | 1 | 1 | CWB111092 | O |
| * | 31 EXPANTION VALVE | 1 | 1 | ACXB05-01020 | O |
| 32 | PARTICULAR PLATE | 1 | 1 | CWD912678 | |
| 33 | TUBE ASSY-COMPLETE | 1 | 1 | ACXT00C35370 | |
| 34 | PARTICULAR PLATE | 1 | 1 | CWD912682 | |
| * | 35 2-WAYS VALVE | 1 | 1 | CWB021604 | O |
| 36 | STRAINER | 1 | 1 | CWB111058 | O |
| * | 37 V-COIL COMPLETE (20S) | 1 | 1 | ACXA43C00520 | O |
| * | 38 V-COIL COMPLETE (MOV1) | 1 | 1 | ACXA43C06860 | O |
| * | 39 V-COIL COMPLETE (ORVR) | 1 | 1 | ACXA43C00390 | O |
| 40 | PLATE SPRING | 3 | 3 | CWH711010 | |
| 41 | PLATE SPRING | 2 | 2 | CWH711013 | |
| * | 42 THERMISTOR (EXL) | 1 | 1 | ACXA50C00370 | O |
| * | 43 THERMISTOR (EXG) | 1 | 1 | ACXA50C00520 | O |
| * | 44 THERMISTOR (SCT) | 1 | 1 | CWA50C2842 | O |
| * | 45 THERMISTOR (SCG) | 1 | 1 | ACXA50C00710 | O |
| * | 46 THERMISTOR (OIL) | 1 | 1 | ACXA50C13470 | O |
| * | 47 LEAD WIRE-COMPLETE (HPS) | 1 | 1 | ACXA60C83980 | O |
| * | 48 LEAD WIRE-COMPLETE (LPS) | 1 | 1 | ACXA60C03080 | O |
| 49 | CONTROL BOARD-COMPLETE | 1 | 1 | ACXH10C88130 | O |
| 50 | CONTROL BOARD | 1 | 1 | CWH102625 | O |

NOTE: Metal and plastic parts will be supplied basically with necessary heat insulation pads or packing. Each key number with an asterisk (*) means the recommended service parts.

ATTENTION!

To ensure correct parts supply, please let us know the following.

Part No. when you make service parts order:

1.Part No. 2.Description 3.Q'ty 4.Volts-Hz-Ph 5.Product Model No.

U-8,10LZ2E8

OUTDOOR UNIT

| KeyNo. | Description | 8Q'ty | 10Q'ty | Reference No. | Available in EyesG21 |
|--------|--------------------------------------|-------|--------|---------------|----------------------|
| * 51 | ELECTRONIC CONTROLLER-COMPLETE (HIC) | 1 | 1 | ACXA73C64151 | O |
| 52 | PARTICULAR PLATE-COMPLETE | 1 | 1 | ACXD90C04490 | |
| 53 | DRAIN PAN | 1 | 1 | CWH401093 | O |
| 54 | CONTROL BOARD-COMPLETE | 1 | 1 | ACXH10C88140 | |
| 55 | CONTROL BOARD ASSY | 1 | 1 | ACXH10K00140 | O |
| * 56 | PC BOARD W/COMPONENT | 1 | 1 | ACXA73C64141 | O |
| * 57 | TERMINAL BOARD ASSY | 1 | 1 | CWA28K1109 | O |
| * 58 | NUT | 2 | 2 | ACXH56-00020 | O |
| * 59 | TERMINAL BOARD ASSY | 1 | 1 | CWA28K1080J | O |
| 60 | CABINET REAR PLATE-COMPLETE | 1 | 1 | ACXE02C01370 | O |
| 61 | L-SHAPED PLATE | 1 | 1 | ACXD60-04380A | |
| 62 | FIXED INDUCTORS | 1 | 1 | G0C392J00029 | O |
| 63 | EXPANTION VALVE | 1 | 1 | ACXB05-01060 | O |
| 64 | LEAD WIRE-COMPLETE (COMPRESSOR) | 1 | 1 | ACXA60C83990 | O |
| * 65 | THERMISTOR (DISCH) | 1 | 1 | ACXA50C00530 | O |
| 66 | SOUND PROOF MATERIAL | 1 | 1 | ACXG30-08960 | O |
| 67 | FAN MOTOR BRACKET ASSY | 1 | 1 | ACXD54K00460 | O |
| * 68 | DC MOTORS (BRUSHLESS GENERAL USE) | 1 | 1 | L6CBYYYYL0296 | O |
| * 69 | DC MOTORS (BRUSHLESS GENERAL USE) | 1 | 1 | L6CBYYYYL0297 | O |
| 70 | FAN ASSY | 2 | 2 | CWH03K1103 | O |
| 71 | NUT | 2 | 2 | CWH561112A | O |
| 72 | WASHER | 2 | 2 | CWH571075A | O |
| 73 | CABINET FRONT PLATE | 1 | 1 | ACXE06-01680A | O |
| 74 | HANDLE | 3 | 3 | CWE161024 | O |
| 75 | DISCHARGE GRILLE | 2 | 2 | CWE201236 | O |
| 76 | CABINET SIDE PLATE | 1 | 1 | CWE041848A | O |
| 77 | WIRE NET.RESIN NET | 1 | 1 | CWD041210A | O |
| 78 | HOLDER-SENSOR | 1 | 1 | ACXH32-00580 | O |
| 79 | CABINET TOP PLATE-COMPLETE | 1 | 1 | ACXE03C00030 | O |
| 80 | L-SHAPED PLATE | 1 | 1 | CWD601316A | O |
| 81 | CABINET FRONT PLATE-COMPLETE | 1 | 1 | ACXE06C04100 | O |
| 82 | PANASONIC BADGE | 1 | 1 | CWE373439 | O |
| 83 | SCREW | 77 | 77 | ACXH55-07200 | |
| 84 | SCREW | 2 | 2 | CWH551391 | |
| * 85 | WIRING DIAGRAM (CU) | 1 | 1 | ACXF22-09070 | |
| 86 | BADGE | 1 | 1 | CWE374632 | O |
| 87 | BUSHING | 2 | 2 | CWH511089 | |
| * 88 | LEAD WIRE-COMPLETE | 1 | 1 | CWA68C0740 | |
| * 89 | LEAD WIRE-COMPLETE | 1 | 1 | ACXA60C03050 | |
| 90 | CHECK VALVE | 2 | 2 | CWB031094 | O |
| 91 | TUBE ASSY-COMPLETE | 1 | 1 | ACXT00C35330 | |
| * 92 | FUSE 30A 500V | 2 | 2 | K5D303YYA059 | O |
| 93 | SCREW | 8 | 8 | CWH551455 | |
| 94 | PARTICULAR PLATE | 1 | 1 | ACXD90-26470 | |
| 95 | L-SHAPED TUBE | 1 | 1 | ACXT20-00490 | |
| 96 | MULTIBENT TUBE | 1 | 1 | ACXT31-09280 | |
| * 97 | IC-COMPLETE | 1 | - | ACXA52C02930 | |
| * 97 | IC-COMPLETE | - | 1 | ACXA52C02940 | |
| - | INSTALLATION INSTRUCTION | 1 | 1 | ACXF60-42490 | |

NOTE: Metal and plastic parts will be supplied basically with necessary heat insulation pads or packing. Each key number with an asterisk (*) means the recommended service parts.