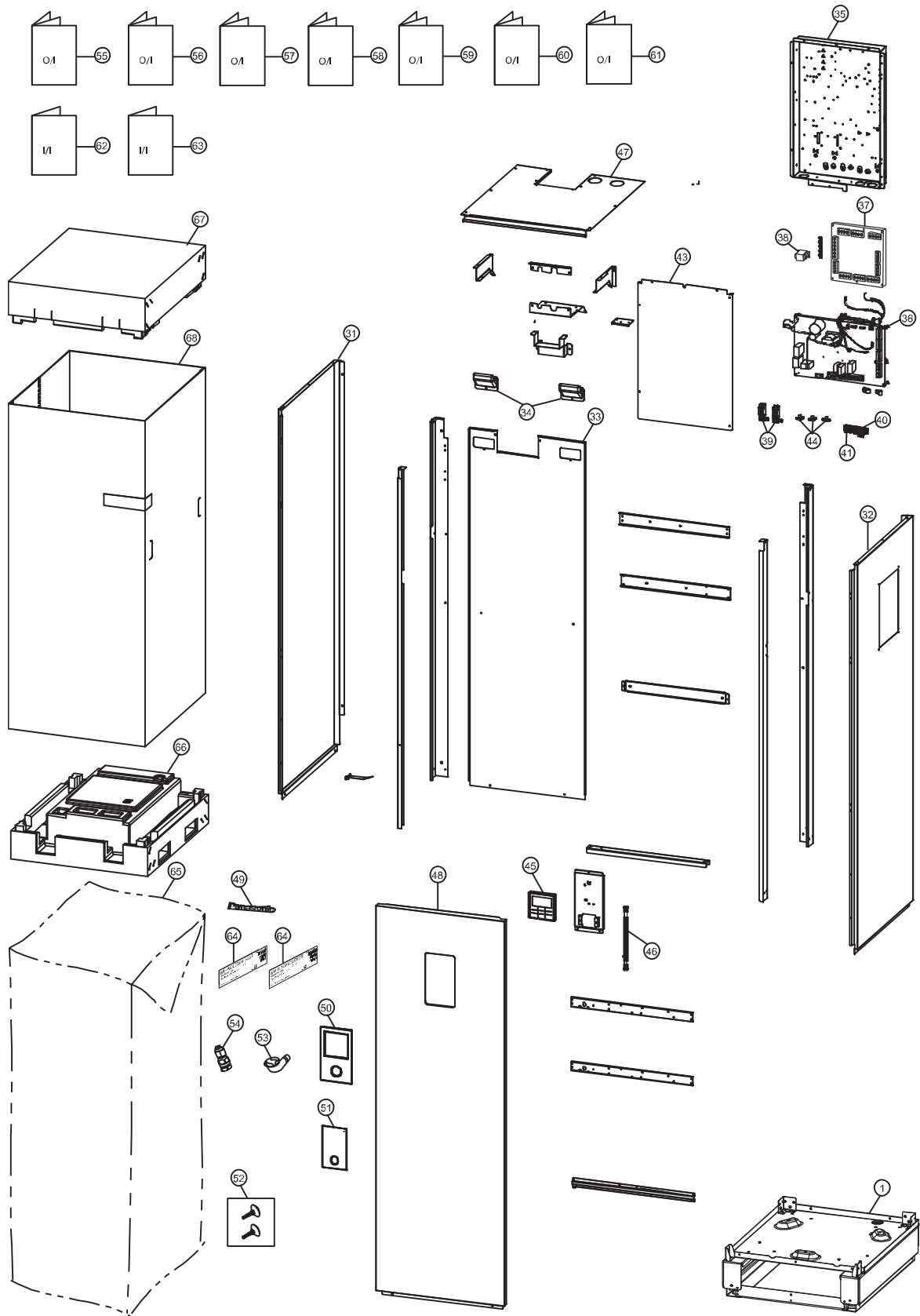


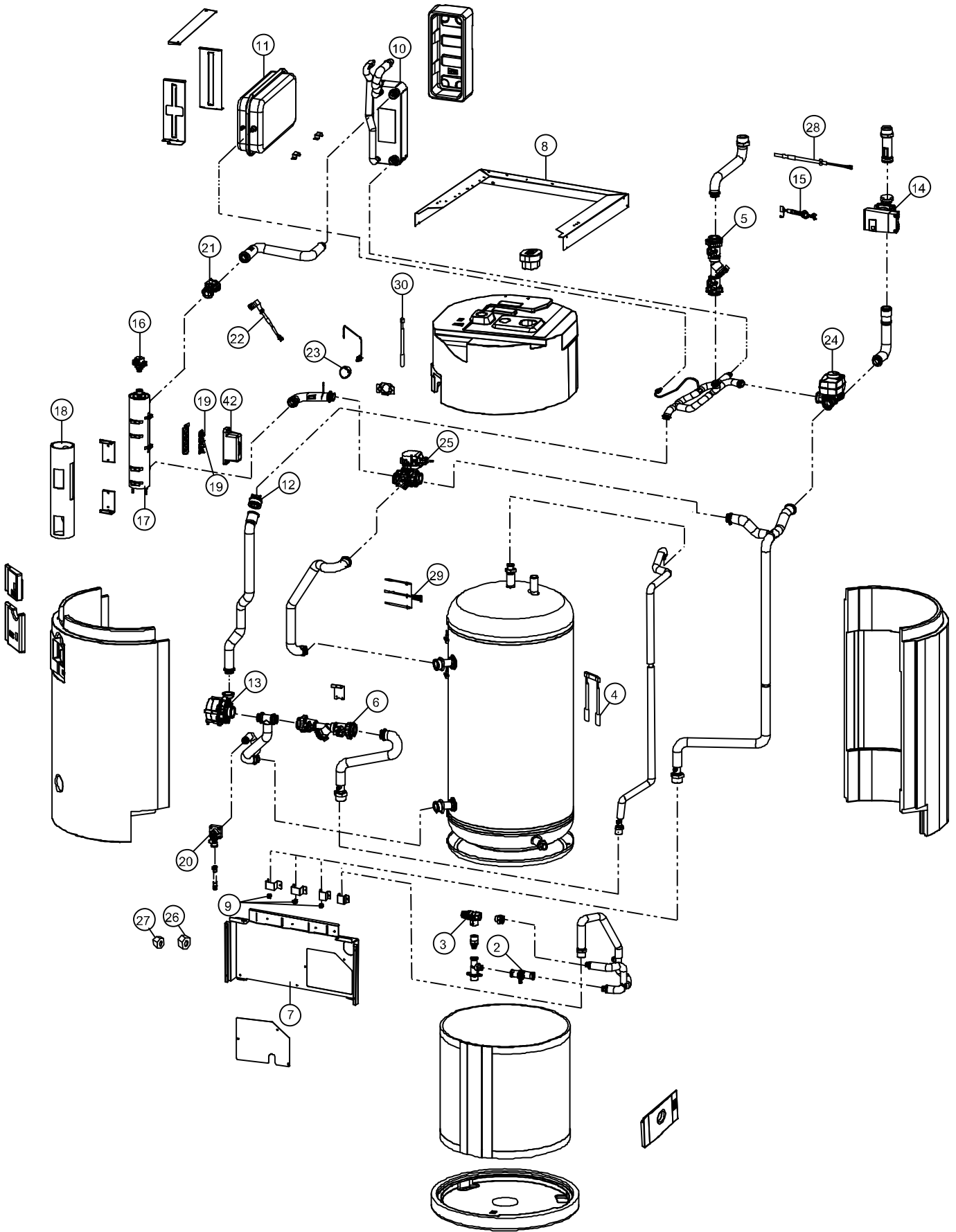
22. Exploded View and Replacement Parts List

22.1 Indoor Unit



Note:

- The above exploded view is for the purpose of parts disassembly and replacement.
- The non-numbered parts are not kept as standard service parts.



Note:

- The above exploded view is for the purpose of parts disassembly and replacement.
- The non-numbered parts are not kept as standard service parts.

SAFETY	REF. NO.	DESCRIPTION & NAME	QTY.	WH-ADC0309J3E5B	REMARK
	1	CHASSIS - COMPLETE	1	ACXD50C02900	
	2	DRAIN VALVE	1	CWB65C1026	O
⚠	3	PRESSURE AND TEMP RELIEF VALVE (TANK)	1	ACXB62-00110	O
⚠	4	SENSOR CO. (TANK TEMP CN-TH2)	1	ACXA50C14750	O
	5	FILTER COMPLETE (ZONE 2)	1	CWB51C1021	
	6	FILTER COMPLETE	1	ACXB51C00100	
	7	HOLDER - COUPLING	1	ACXH35-01790	
	8	BASE PAN (HEATER)	1	ACXD52-04300	
	9	PURGE PLUG	3	CWB821027	O
	10	HOT WATER COIL - COMPLETE	1	ACXB90C00880	
	11	RECEIVER	1	CWB141039	
	12	CHECK VALVE	1	ACXB03-00040	
⚠	13	WATER PUMP	1	ACXB53-00390	O
⚠	14	WATER PUMP (ZONE 2)	1	ACXB53-00370	O
⚠	15	LEAD WIRE FOR WATER PUMP	1	ACXA60C73630	O
	16	AIR PURGE VALVE	1	ACXB62-00130	O
	17	HEATER ASS'Y	1	ACXA34K00460	
	18	SOUND PROOF MATERIAL	1	ACXG30-08750	
⚠	19	THERMOSTAT	2	CWA151074	O
⚠	20	PRESSURE RELIEF VALVE	1	ACXB62-00740	O
	21	FLOW SWITCH	1	ACXB62-00911	O
⚠	22	LEAD WIRE - FLOW SENSOR	1	CWA68C2281	O
	23	PRESSURE GAUGE	1	CWB070003	
⚠	24	MIXING VALVE	1	ACXB62-00120	
	25	3 WAY VALVE (WATER)	1	ACXB62-00090	
	26	FLARE NUT (5/8)	1	CWT251064	
	27	FLARE NUT (1/4)	1	CWT251063	
⚠	28	SENSOR - CO. (TEMP SENSOR ZONE 2)	1	ACXA50C00640	O
⚠	29	SENSOR - CO. (WATER IN OUT, REF TEMP SENSOR CN-TH1)	1	ACXA50C14770	O
⚠	30	SENSOR - CO. (HEX WATER OUTLET TEMP CN-TH3)	1	ACXA50C00660	O
	31	CABINET SIDE PLATE (L)	1	ACXE04-11320A	
	32	CABINET SIDE PLATE (R)	1	ACXE04-11330A	
	33	CABINET REAR PLATE	1	ACXE02-02760	
	34	HANDLE	2	CWE161014	
	35	CONTROL BOARD	1	ACXH10-00710	
⚠	36	ELECTRONIC CONTROLLER - MAIN	1	ACXA73C50270	O
⚠	37	ELECTRONIC CONTROLLER - SUB	1	ACXA73-04220-1Y	O
⚠	38	REACTOR	1	G0C103Z00003	O
⚠	39	RESIDUALCURRENT - CIRCUIT BREAKER	2	K5KYYAY00003	O
⚠	40	TERMINAL BOARD ASSY (1, 2, 3)	1	CWA28K1217	O

SAFETY	REF. NO.	DESCRIPTION & NAME	QTY.	WH-ADC0309J3E5B	REMARK
	41	TERMINAL BOARD ASSY (A, B)	1	CWA28K1238	O
	42	TERMINAL COVER	1	CWH171051	
	43	CONTROL BOARD COVER	1	ACXH13-00360	
	44	HOLDER - P.S. CORD	3	CWH31103	
	45	REMOTE CONTROL COMPLETE	1	ACXA75C15750	O
	46	LEAD WIRE FOR REMOTE CONTROL	1	ACXA60C04350	
	47	CABINET TOP PLATE	1	ACXE03K01140	
	48	CABINET FRONT PLATE	1	ACXE06-00030A	
	49	PANASONIC BADGE	1	CWE375343	
	50	DECORATION BASE ASS'Y	1	CWE35K1285	
	51	ACCESSORY - CO. (DECORATION BASE ASS'Y)	1	CWH82C2174	
	52	ACCESSORY ADJUSTABLE FEET	1	CWH82C2112	
	53	ACCESSORY CO. (DRAIN ELBOW)	1	CWG87C900	
	54	REDUCING ADAPTER	1	CWT27C1008	
	55	OPERATING INSTRUCTION	1	ACXF55-22191	
	56	OPERATING INSTRUCTION	1	ACXF55-22201	
	57	OPERATING INSTRUCTION	1	ACXF55-22211	
	58	OPERATING INSTRUCTION	1	ACXF55-22221	
	59	OPERATING INSTRUCTION	1	ACXF55-22231	
	60	OPERATING INSTRUCTION	1	ACXF55-22241	
	61	OPERATING INSTRUCTION	1	ACXF55-22961	
	62	INSTALLATION INSTRUCTION	1	ACXF60-37610	
	63	INSTALLATION INSTRUCTION	1	ACXF60-37650	
	64	MODEL LABEL	2	ACXF85-00780	
	65	BAG	1	CWG861544	
	66	BASE BOARD - COMPLETE	1	CWG62C1201	
	67	TOP BOARD COMPLETE	1	ACXG60C00010	
	68	C.C. CASE	1	ACXG50-47180	

Note:

- All parts are supplied from PAVCCZ, Czech (Vendor Code: 00029407).
- "O" marked parts are recommended to be kept in stock.