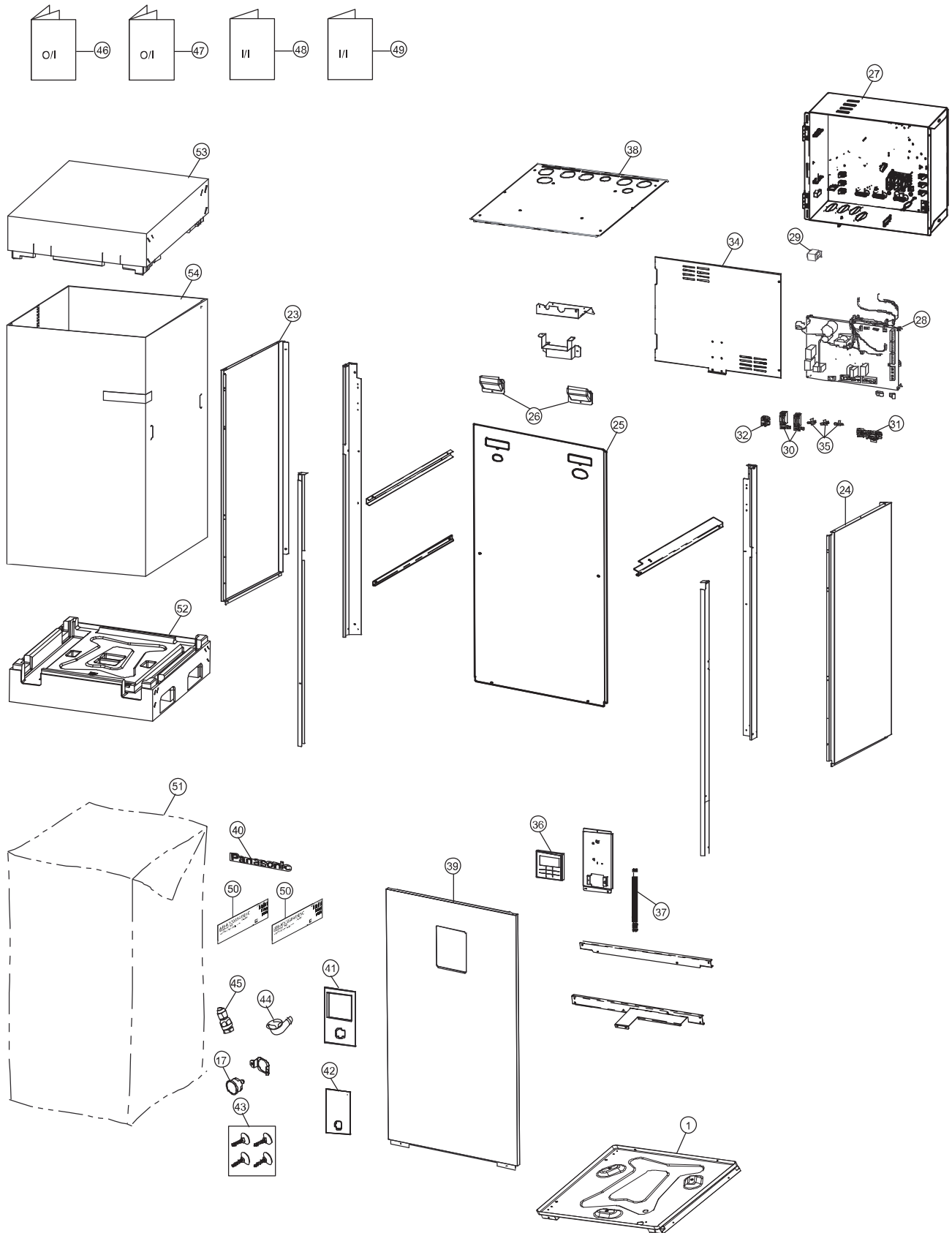


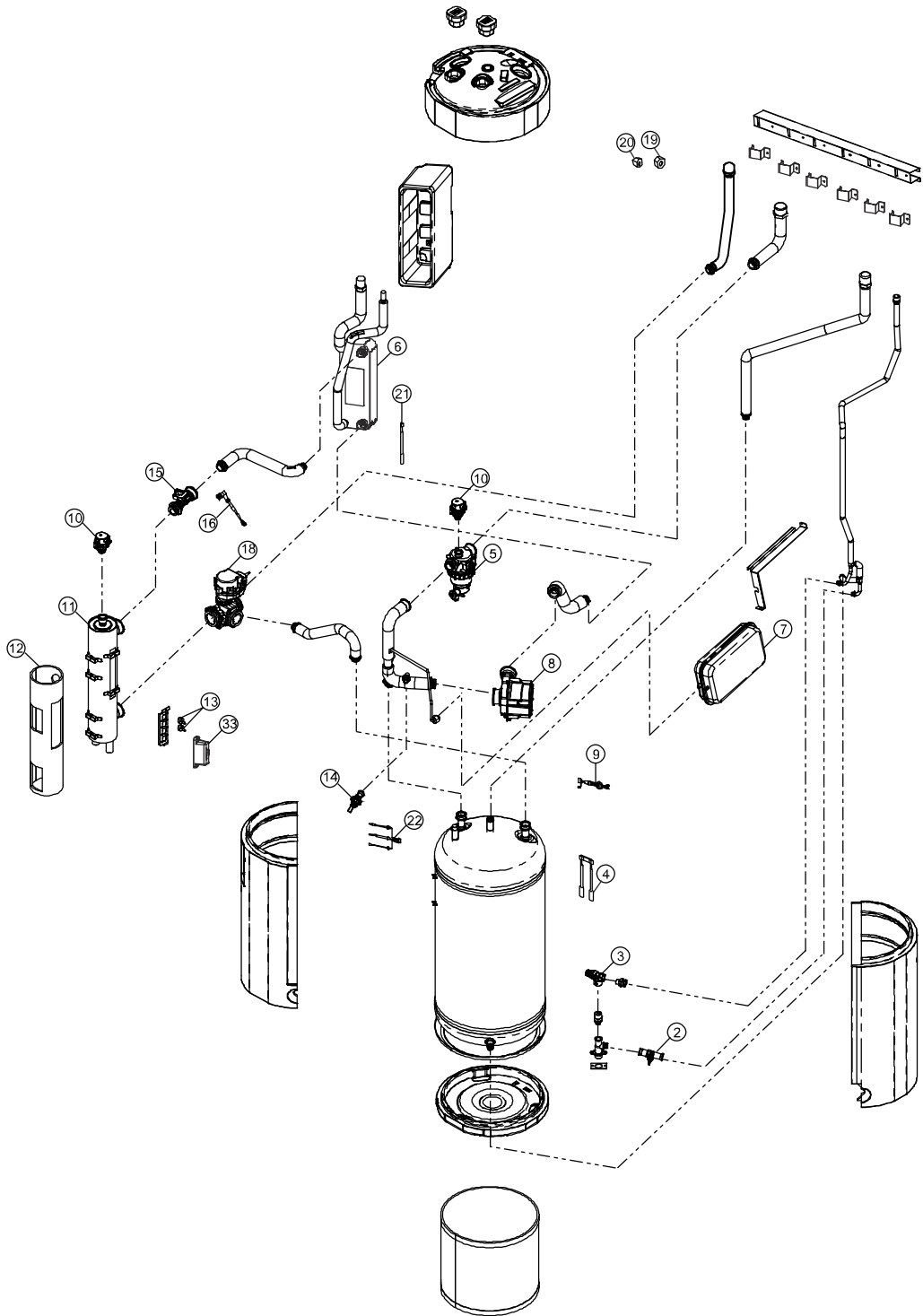
22. Exploded View and Replacement Parts List

22.1 Indoor Unit



Note:

- The above exploded view is for the purpose of parts disassembly and replacement.
- The non-numbered parts are not kept as standard service parts.



Note:

- The above exploded view is for the purpose of parts disassembly and replacement.
- The non-numbered parts are not kept as standard service parts.

SAFETY	REF. NO.	DESCRIPTION & NAME	QTY.	WH-ADC0309J3E5C	REMARK
	1	CHASSIS - COMPLETE	1	ACXD50C03830	
	2	DRAIN VALVE	1	ACXB65C00111	○
⚠	3	PRESSURE AND TEMP RELIEF VALVE (TANK)	1	ACXB62-00110	○
⚠	4	SENSOR CO. (TANK TEMP CN-TH2)	1	ACXA50C16520	○
	5	FILTER COMPLETE	1	ACXB51C00110	
	6	HOT WATER COIL - COMPLETE	1	ACXB90C01010	
	7	RECEIVER	1	CWB141039	
⚠	8	WATER PUMP	1	ACXB53-00390	○
⚠	9	LEAD WIRE FOR WATER PUMP	1	ACXA60C73630	
	10	AIR PURGE VALVE	2	ACXB62-00130	○
	11	HEATER ASS'Y	1	ACXA34K00480	
	12	SOUND PROOF MATERIAL	1	ACXG30-08750	
⚠	13	THERMOSTAT	2	CWA151074	○
⚠	14	PRESSURE RELIEF VALVE	1	ACXB62-00100	○
	15	FLOW SWITCH	1	ACXB62-00911	○
⚠	16	LEAD WIRE - FLOW SENSOR	1	CWA68C2281	
	17	PRESSURE GAUGE	1	ACXB07-00100	
	18	3 WAY VALVE (WATER)	1	ACXB62-00090	
	19	FLARE NUT (5/8)	1	CWT251064	
	20	FLARE NUT (1/4)	1	CWT251063	
⚠	21	SENSOR - CO. (WATER IN OUT, REF TEMP SENSOR CN-TH1)	1	ACXA50C16390	○
⚠	22	SENSOR - CO. (HEX WATER OUTLET TEMP CN-TH3)	1	ACXA50C16380	○
	23	CABINET SIDE PLATE (L)	1	ACXE04-12000A	
	24	CABINET SIDE PLATE (R)	1	ACXE04-12010A	
	25	CABINET REAR PLATE	1	ACXE02-03020	
	26	HANDLE	2	ACXE16-00100	
	27	CONTROL BOARD	1	ACXH10-08530	
⚠	28	ELECTRONIC CONTROLLER - MAIN	1	ACXA73C65740	○
⚠	29	REACTOR	1	G0C103Z00003	○
⚠	30	RESIDUALCURRENT - CIRCUIT BREAKER	2	K5KYAY00003	○
⚠	31	TERMINAL BOARD ASSY (1,2,3)	1	CWA28K1217	○
⚠	32	TERMINAL BOARD ASSY (A,B)	1	CWA28K1200	○
	33	TERMINAL COVER	1	CWH171051	
	34	CONTROL BOARD COVER	1	ACXH13-08620	
	35	HOLDER - P.S. CORD	3	CWH31103	
⚠	36	REMOTE CONTROL COMPLETE	1	ACXA75C15751	○
⚠	37	LEAD WIRE FOR REMOTE CONTROL	1	ACXA60C04350	
	38	CABINET TOP PLATE	1	ACXE03-04510	
	39	CABINET FRONT PLATE	1	ACXE06-04660A	
	40	PANASONIC BADGE	1	CWE375343	

SAFETY	REF. NO.	DESCRIPTION & NAME	QTY.	WH-ADC0309J3E5C	REMARK
	41	DECORATION BASE ASS'Y	1	CWE35K1285	
	42	ACCESSORY - CO. (DECORATION BASE ASS'Y)	1	CWH82C2174	
	43	ACCESSORY ADJUSTABLE FEET	1	CWH82C2112	
	44	ACCESSORY CO. (DRAIN ELBOW)	1	CWG87C900	
	45	REDUCING ADAPTER	1	CWT27C1008	
	46	OPERATING INSTRUCTION	1	ACXF55-28300	
	47	OPERATING INSTRUCTION	1	ACXF55-28310	
	48	INSTALLATION INSTRUCTION	1	ACXF60-40480	
	49	INSTALLATION INSTRUCTION	1	ACXF60-41700	
	50	MODEL LABEL	2	ACXF85-46590	
	51	BAG	1	ACXG86-04780	
	52	BASE BOARD - COMPLETE	1	ACXG62C02120	
	53	TOP BOARD COMPLETE	1	ACXG60C00250	
	54	C.C. CASE	1	ACXG50-55930	

Note:

- All parts are supplied from PAVCCZ, Czech (Vendor Code: 00029407).
- "O" marked parts are recommended to be kept in stock.