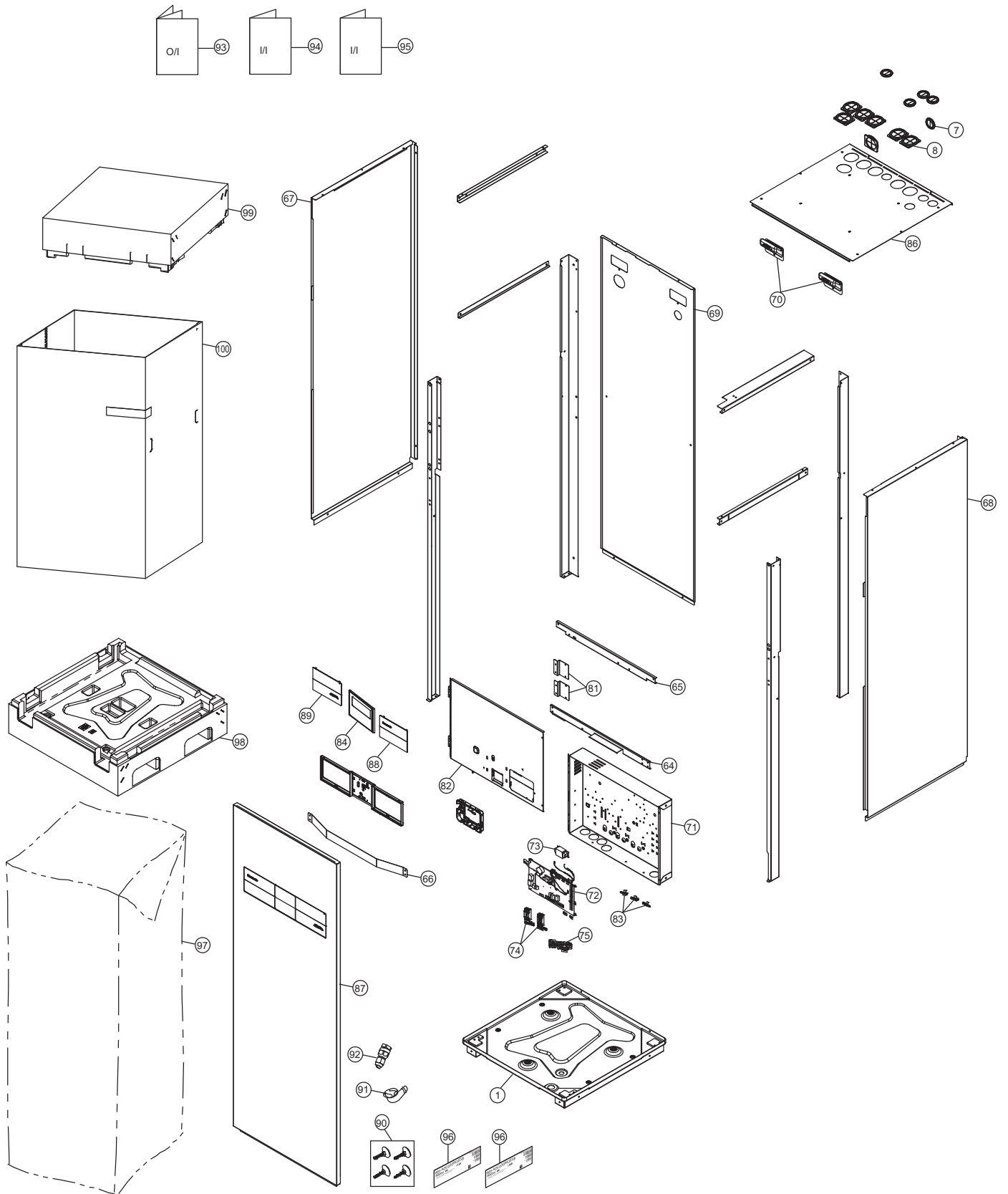
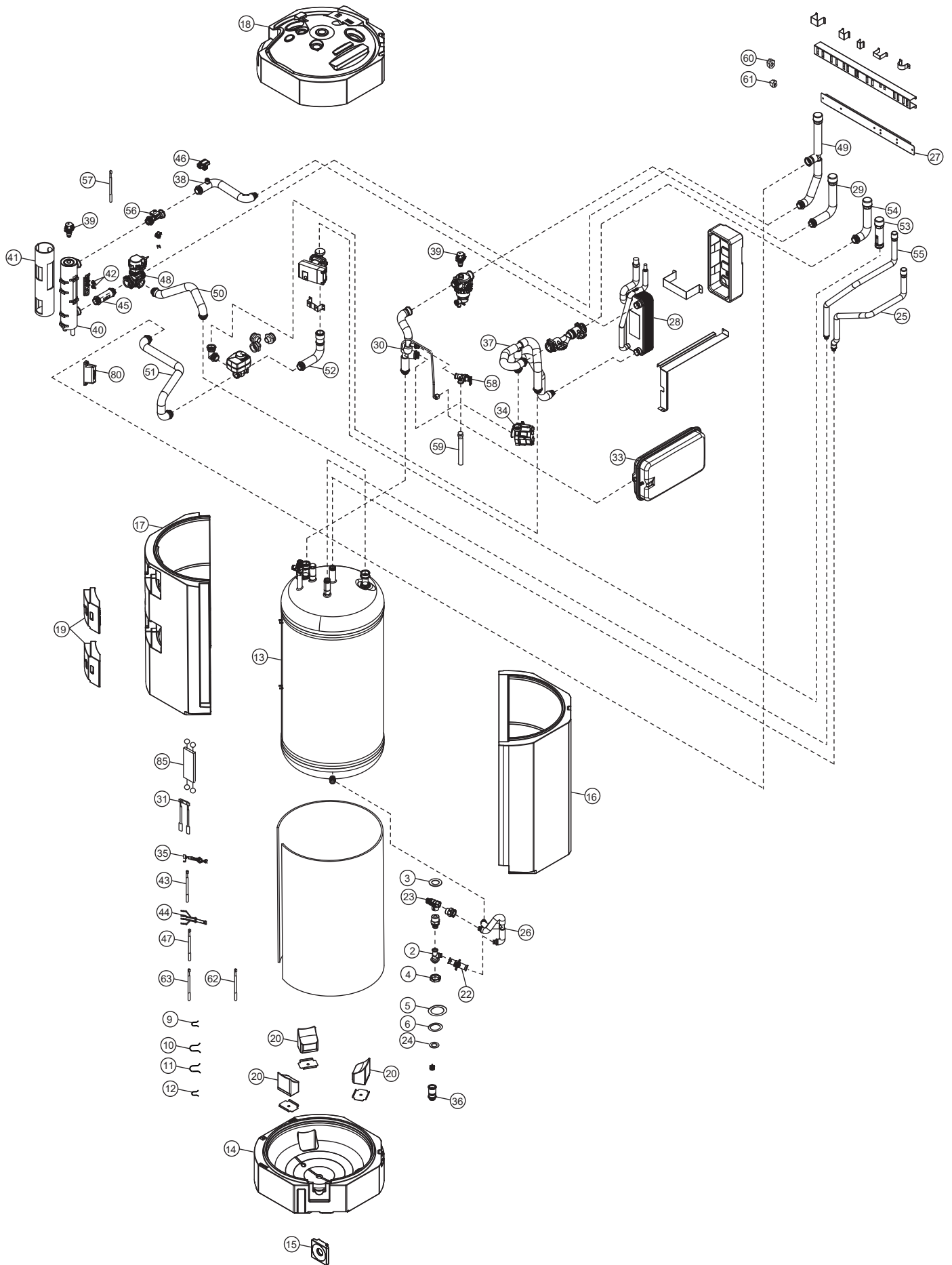


24.1.2 WH-ADC0309K3E5B



Note:
 The above exploded view is for the purpose of parts disassembly and replacement.
 The non-numbered parts are not kept as standard service parts.



Note:
 The above exploded view is for the purpose of parts disassembly and replacement.
 The non-numbered parts are not kept as standard service parts.

SAFETY	REF. NO.	DESCRIPTION & NAME	QTY.	WH-ADC0309K3E5B	REMARK
	1	CHASSIS - COMPLETE	1	ACXD50C04840	
	2	TUBE CONNECTER	1	ACXT29-02570	
	3	O-RING (ID: 27mm)	1	ACXB81-07070	
	4	NUT	1	ACXH56-01370	
	5	O-RING (ID: 25.70mm)	1	ACXB81-06910	
	6	O-RING (ID: 8.1mm)	1	CWB811179	
	7	O-RING (ID: 35mm)	1	ACXB81-00030	
	8	O-RING (ID: 54mm X 47mm)	1	ACXB81-00040	
	9	RETAINING RING	1	CWH581007	
	10	RETAINING RING	1	ACXH58-00370	
	11	RETAINING RING	1	CWH581012	
	12	RETAINING RING	1	CWH581038	
	13	TANK COMPLETE	1	ACXB56C01210	
	14	FOAMED POLYSTYRENE	1	ACXG07-07690	
	15	FOAMED POLYSTYRENE	1	ACXG07-07700	
	16	FOAMED POLYSTYRENE	1	ACXG07-07710	
	17	FOAMED POLYSTYRENE	1	ACXG07-07720	
	18	FOAMED POLYSTYRENE	1	ACXG07-07731	
	19	FOAMED POLYSTYRENE	2	ACXG07-07740	
	20	FOAMED POLYSTYRENE	3	ACXG07-07750	
	22	DRAIN VALVE	1	ACXB65C00111	
	23	PRESSURE AND TEMP RELIEF VALVE (TANK)	1	ACXB62-00111	
	24	O-RING (ID: 13.60mm)	1	ACXB81-00010	
	25	TUBE ASSY - COMPLETE	1	ACXT00C40900	
	26	TUBE ASSY	1	ACXT00-77551	
	27	CONNECTING BAR	1	ACXE26-02841	
	28	HOT WATER COIL - COMPLETE	1	ACXB90C01570	
	29	TUBE ASSY - COMPLETE	1	ACXT00C40920	
	30	TUBE ASSY - COMPLETE	1	ACXT00C40931	
⚠	31	SENSOR CO. (TANK TEMP CN-TH2)	1	ACXA50C18700	
⚠	32	FILTER COMPLETE	1	ACXB51C00110	
	33	RECEIVER	1	CWB141039	
⚠	34	WATER PUMP	1	ACXB53-00850	
⚠	35	LEAD WIRE FOR WATER PUMP	1	ACXA60C73630	
	36	TUBE ASSY - COMPLETE	1	ACXT00C40940	
	37	TUBE ASSY - COMPLETE	1	ACXT00C40950	
	38	TUBE ASSY - COMPLETE	1	ACXT00C40961	
	39	AIR PURGE VALVE	2	ACXB62-00130	
⚠	40	HEATER ASS'Y	1	ACXA34K00460	
	41	SOUND PROOF MATERIAL	1	ACXG30-08750	
⚠	42	THERMOSTAT	2	CWA151074	
⚠	43	LEAD WIRE - CO. (CN-OLP1)	1	ACXA60C93670	
⚠	44	LEAD WIRE - CO. (OLP & HEATER)	1	ACXA60C93680	

SAFETY	REF. NO.	DESCRIPTION & NAME	QTY.	WH-ADC0309K3E5B	REMARK
	45	TUBE ASSY - COMPLETE	1	ACXT00C32732	
	46	BOILER PRESSURE TRANSDUCER	1	ACXB62-01110	
	47	LEAD WIRE - CO. (CN-DPS)	1	ACXA60C93661	
	48	MOTORIZED 3-WAY VALVE	1	ACXB62-00092	
	49	TUBE ASSY - COMPLETE	1	ACXT00C40970	
	50	TUBE ASSY - COMPLETE	1	ACXT00C40980	
	51	TUBE ASSY - COMPLETE	1	ACXT00C40990	
	52	TUBE ASSY - COMPLETE	1	ACXT00C41000	
	53	TUBE ASSY - COMPLETE	1	ACXT00C41010	
	54	TUBE ASSY - COMPLETE	1	ACXT00C41020	
	55	TUBE ASSY - COMPLETE	1	ACXT00C41030	
	56	FLOW SWITCH	1	ACXB62-00932	
⚠	57	LEAD WIRE - FLOW SENSOR	1	ACXA60C82910	
	58	PRESSURE RELIEF VALVE	1	ACXB62-00100	
	59	TUBE ASSY	1	ACXT00-77260	
	60	FLARE NUT (5/8)	1	CWT251064	
	61	FLARE NUT (1/4)	1	CWT251063	
⚠	62	SENSOR - CO. (WATER IN OUT, REF TEMP SENSOR CN-TH1)	1	ACXA50C16380	
⚠	63	SENSOR - CO. (HEX WATER OUTLET TEMP CN-TH3)	1	ACXA50C16390	
	64	CONNECTING BAR	1	ACXE26-02860	
	65	CONNECTING BAR	1	ACXE26-02870	
	66	CONNECTING BAR	1	ACXE26-02880	
	67	CABINET SIDE PLATE (L)	1	ACXE04-13290A	
	68	CABINET SIDE PLATE (R)	1	ACXE04-13300A	
	69	CABINET REAR PLATE	1	ACXE02-03400	
	70	HANDLE	2	ACXE16-00300	
	71	CONTROL BOARD	1	ACXH10-09860	
⚠	72	ELECTRONIC CONTROLLER - MAIN	1	ACXA73C92180	
⚠	73	REACTOR	1	G0C103Z00003	
⚠	74	RESIDUAL CURRENT - CIRCUIT BREAKER	2	K5KYYAY00003	
⚠	75	TERMINAL BOARD ASSY (1,2,3)	1	CWA28K1217	
	80	TERMINAL COVER	1	CWH171051	
	81	HINGE	2	CWH611006	
	82	CONTROL BOARD COVER	1	ACXH13-09290	
	83	HOLDER - P.S. CORD	3	CWH31103	
⚠	84	REMOTE CONTROL COMPLETE	1	ACXA75C23211	
⚠	85	LEAD WIRE FOR REMOTE CONTROL	1	ACXA60C93691	
	86	CABINET TOP PLATE	1	ACXE03-04870	
	87	CABINET FRONT PLATE	1	ACXE06-05161A	
	88	DECORATION BASE ASS'Y	1	ACXE35K03630	
	89	DECORATION BASE ASS'Y	1	ACXE35K03640	
	90	ACCESSORY - CO. (DECORATION BASE ASS'Y)	1	ACXH82C04160	
	91	ACCESSORY ADJUSTABLE FEET	1	ACXH82C21740	

SAFETY	REF. NO.	DESCRIPTION & NAME	QTY.	WH-ADC0309K3E5B	REMARK
	92	SOCKET COMPLETE	1	ACXT27C00020	
	93	OPERATING INSTRUCTION	1	ACXF55-34180	
	94	INSTALLATION INSTRUCTION	1	ACXF60-49950	
	95	INSTALLATION INSTRUCTION	1	ACXF60-49910	
	96	MODEL LABEL	2	ACXF85-95600	
	97	BAG	1	ACXG86-04782	
	98	BASE BOARD - COMPLETE	1	ACXG62C02790	
	99	TOP BOARD COMPLETE	1	ACXG60C00300	
	100	C.C. CASE	1	ACXG50-61790	

Note:

- All parts are supplied from PAVCCZ, Czech (Vendor Code: 00029407).
- "O" marked parts are recommended to be kept in stock.