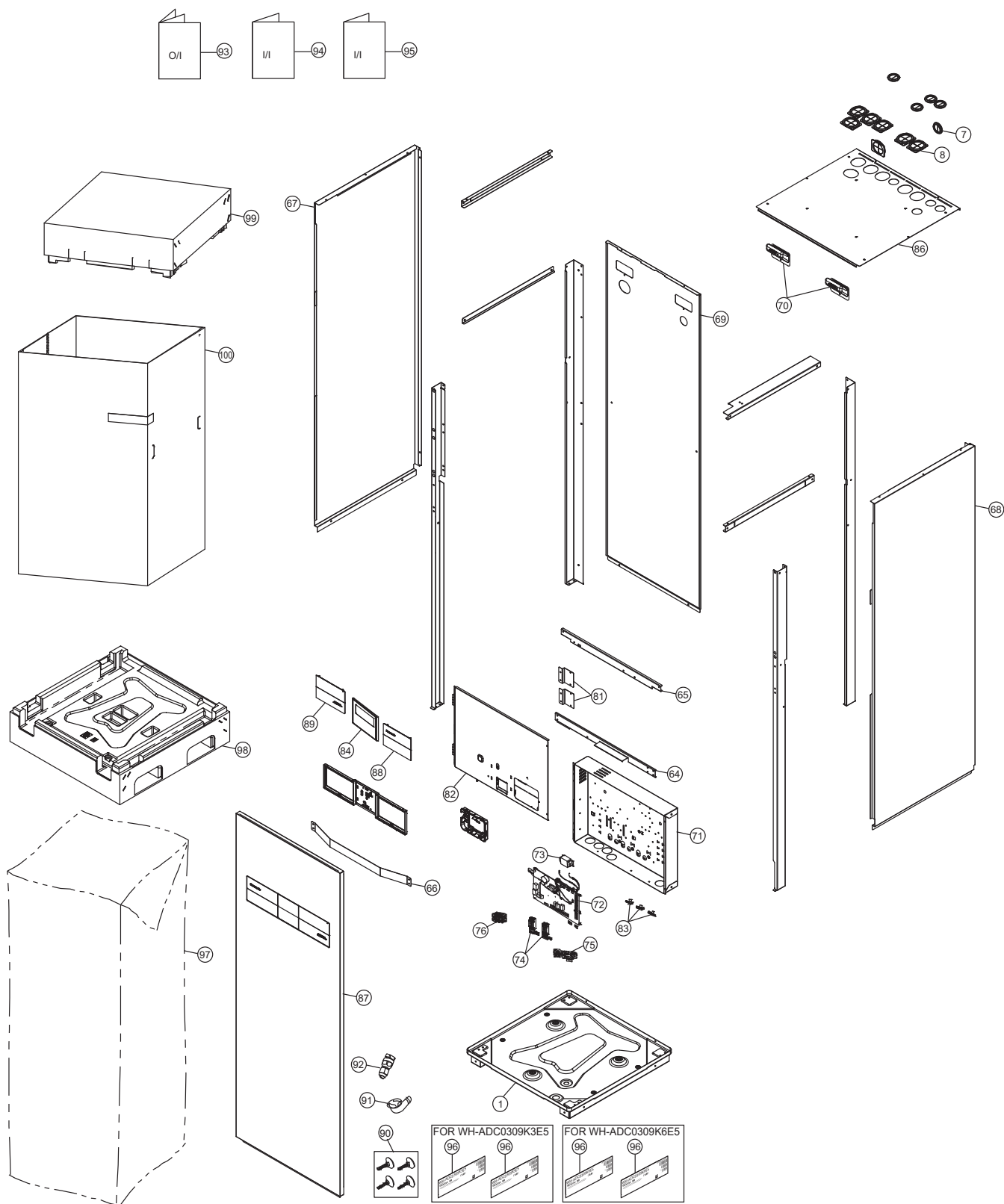


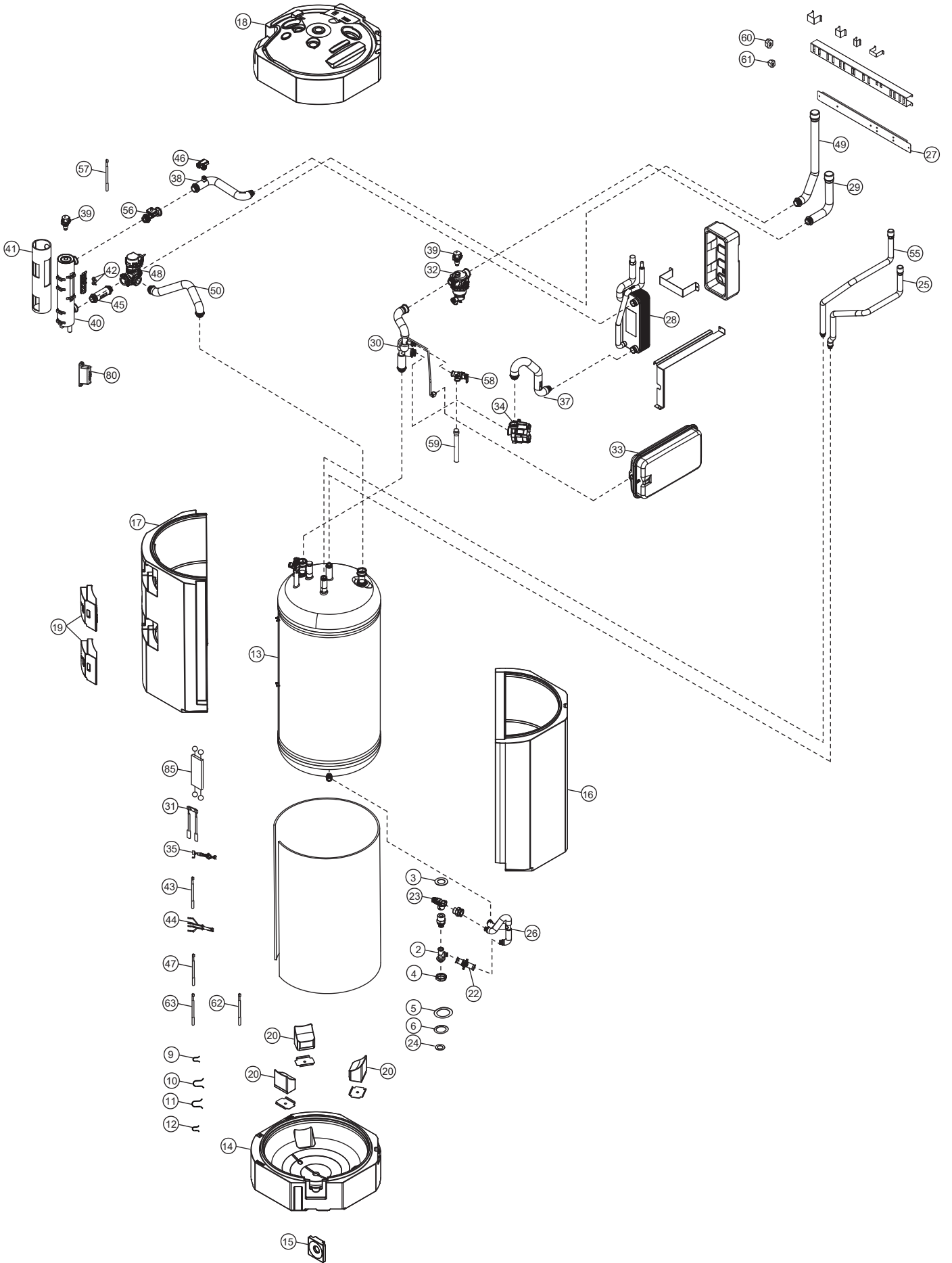
24. Exploded View and Replacement Parts List

24.1 Indoor Unit

24.1.1 WH-ADC0309K3E5 WH-ADC0309K6E5



Note:
The above exploded view is for the purpose of parts disassembly and replacement.
The non-numbered parts are not kept as standard service parts.



Note:
 The above exploded view is for the purpose of parts disassembly and replacement.
 The non-numbered parts are not kept as standard service parts.

SAFETY	REF. NO.	DESCRIPTION & NAME	QTY.	WH-ADC0309K3E5	WH-ADC0309K6E5	REMARK
	1	CHASSIS - COMPLETE	1	ACXD50C04840	←	
	2	TUBE CONNECTER	1	ACXT29-02570	←	
	3	O-RING (ID: 27mm)	1	ACXB81-07070	←	
	4	NUT	1	ACXH56-01370	←	
	5	O-RING (ID: 25.70mm)	1	ACXB81-06910	←	
	6	O-RING (ID: 8.1mm)	1	CWB811179	←	
	7	O-RING (ID: 35mm)	1	ACXB81-00030	←	
	8	O-RING (ID: 54mm X 47mm)	1	ACXB81-00040	←	
	9	RETAINING RING	1	CWH581007	←	
	10	RETAINING RING	1	ACXH58-00370	←	
	11	RETAINING RING	1	CWH581012	←	
	12	RETAINING RING	1	CWH581038	←	
	13	TANK COMPLETE	1	ACXB56C01210	←	
	14	FOAMED POLYSTYRENE	1	ACXG07-07690	←	
	15	FOAMED POLYSTYRENE	1	ACXG07-07700	←	
	16	FOAMED POLYSTYRENE	1	ACXG07-07710	←	
	17	FOAMED POLYSTYRENE	1	ACXG07-07720	←	
	18	FOAMED POLYSTYRENE	1	ACXG07-07731	←	
	19	FOAMED POLYSTYRENE	2	ACXG07-07740	←	
	20	FOAMED POLYSTYRENE	3	ACXG07-07750	←	
	22	DRAIN VALVE	1	ACXB65C00111	←	
	23	PRESSURE AND TEMP RELIEF VALVE (TANK)	1	ACXB62-00111	←	
	24	O-RING (ID: 13.60mm)	1	ACXB81-00010	←	
	25	TUBE ASSY - COMPLETE	1	ACXT00C40900	←	
	26	TUBE ASSY	1	ACXT00-77551	←	
	27	CONNECTING BAR	1	ACXE26-02841	←	
	28	HOT WATER COIL - COMPLETE	1	ACXB90C01570	←	
	29	TUBE ASSY - COMPLETE	1	ACXT00C40920	←	
	30	TUBE ASSY - COMPLETE	1	ACXT00C40931	←	
⚠	31	SENSOR CO. (TANK TEMP CN-TH2)	1	ACXA50C18700	←	
⚠	32	FILTER COMPLETE	1	ACXB51C00110	←	
	33	RECEIVER	1	CWB141039	←	
⚠	34	WATER PUMP	1	ACXB53-00850	←	
⚠	35	LEAD WIRE FOR WATER PUMP	1	ACXA60C73630	←	
	37	TUBE ASSY - COMPLETE	1	ACXT00C41200	←	
	38	TUBE ASSY - COMPLETE	1	ACXT00C40961	←	
	39	AIR PURGE VALVE	2	ACXB62-00130	←	
⚠	40	HEATER ASS'Y	1	ACXA34K00460	ACXA34K00530	
	41	SOUND PROOF MATERIAL	1	ACXG30-08750	←	
⚠	42	THERMOSTAT	2/3	CWA151074	←	
⚠	43	LEAD WIRE - CO. (CN-OLP1)	1	ACXA60C93670	←	
⚠	44	LEAD WIRE - CO. (OLP & HEATER)	1	ACXA60C93680	ACXA60C84060	
	45	TUBE ASSY - COMPLETE	1	ACXT00C32732	←	

SAFETY	REF. NO.	DESCRIPTION & NAME	QTY.	WH-ADC0309K3E5	WH-ADC0309K6E5	REMARK
	46	BOILER PRESSURE TRANSDUCER	1	ACXB62-01110	←	
	47	LEAD WIRE - CO. (CN-DPS)	1	ACXA60C93661	←	
	48	MOTORIZED 3-WAY VALVE	1	ACXB62-00092	←	
	49	TUBE ASSY - COMPLETE	1	ACXT00C41210	←	
	50	TUBE ASSY - COMPLETE	1	ACXT00C40980	←	
	55	TUBE ASSY - COMPLETE	1	ACXT00C41030	←	
	56	FLOW SWITCH	1	ACXB62-00932	←	
⚠	57	LEAD WIRE - FLOW SENSOR	1	ACXA60C82910	←	
	58	PRESSURE RELIEF VALVE	1	ACXB62-00100	←	
	59	TUBE ASSY	1	ACXT00-77260	←	
	60	FLARE NUT (5/8)	1	CWT251064	←	
	61	FLARE NUT (1/4)	1	CWT251063	←	
⚠	62	SENSOR - CO. (WATER IN OUT, REF TEMP SENSOR CN-TH1)	1	ACXA50C16380	←	
⚠	63	SENSOR - CO. (HEX WATER OUTLET TEMP CN-TH3)	1	ACXA50C16390	←	
	64	CONNECTING BAR	1	ACXE26-02860	←	
	65	CONNECTING BAR	1	ACXE26-02870	←	
	66	CONNECTING BAR	1	ACXE26-02880	←	
	67	CABINET SIDE PLATE (L)	1	ACXE04-13290A	←	
	68	CABINET SIDE PLATE (R)	1	ACXE04-13300A	←	
	69	CABINET REAR PLATE	1	ACXE02-03400	←	
	70	HANDLE	2	ACXE16-00300	←	
	71	CONTROL BOARD	1	ACXH10-09860	←	
⚠	72	ELECTRONIC CONTROLLER - MAIN	1	ACXA73C88710	ACXA73C91070	
⚠	73	REACTOR	1	G0C103Z00003	←	
⚠	74	RESIDUAL CURRENT - CIRCUIT BREAKER	2	K5KYYAY00003	←	
⚠	75	TERMINAL BOARD ASSY (1,2,3)	1	CWA28K1217	←	
⚠	76	TERMINAL BOARD ASS'Y (A,B)	1	-	CWA28K1238	
	80	TERMINAL COVER	1	CWH171051	←	
	81	HINGE	2	CWH611006	←	
	82	CONTROL BOARD COVER	1	ACXH13-09290	←	
	83	HOLDER - P.S. CORD	3	CWH31103	←	
⚠	84	REMOTE CONTROL COMPLETE	1	ACXA75C23211	←	
⚠	85	LEAD WIRE FOR REMOTE CONTROL	1	ACXA60C93691	←	
	86	CABINET TOP PLATE	1	ACXE03-04880	←	
	87	CABINET FRONT PLATE	1	ACXE06-05161A	←	
	88	DECORATION BASE ASS'Y	1	ACXE35K03630	←	
	89	DECORATION BASE ASS'Y	1	ACXE35K03640	←	
	90	ACCESSORY - CO. (DECORATION BASE ASS'Y)	1	ACXH82C04160	←	
	91	ACCESSORY ADJUSTABLE FEET	1	ACXH82C21740	←	
	92	SOCKET COMPLETE	1	ACXT27C00020	←	
	93	OPERATING INSTRUCTION	1	ACXF55-34120	←	
	94	INSTALLATION INSTRUCTION	1	ACXF60-49960	←	

SAFETY	REF. NO.	DESCRIPTION & NAME	QTY.	WH-ADC0309K3E5	WH-ADC0309K6E5	REMARK
	95	INSTALLATION INSTRUCTION	1	ACXF60-49910	←	
	96	MODEL LABEL	2	ACXF85-95610	ACXF85-95630	
	97	BAG	1	ACXG86-04782	←	
	98	BASE BOARD - COMPLETE	1	ACXG62C02790	←	
	99	TOP BOARD COMPLETE	1	ACXG60C00300	←	
	100	C.C. CASE	1	ACXG50-61790	←	

Note:

- All parts are supplied from PAVCCZ, Czech (Vendor Code: 00029407).
- “O” marked parts are recommended to be kept in stock.