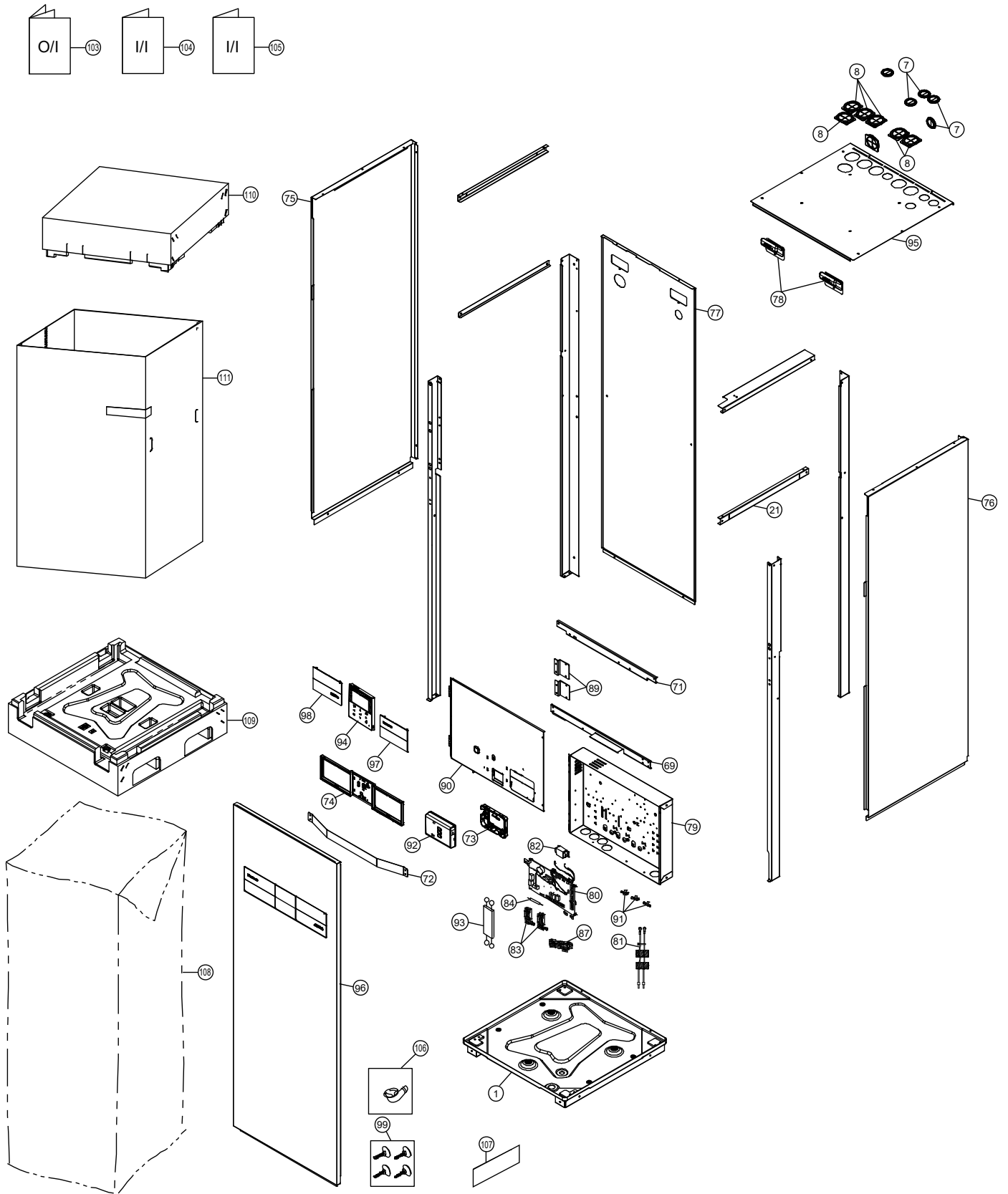
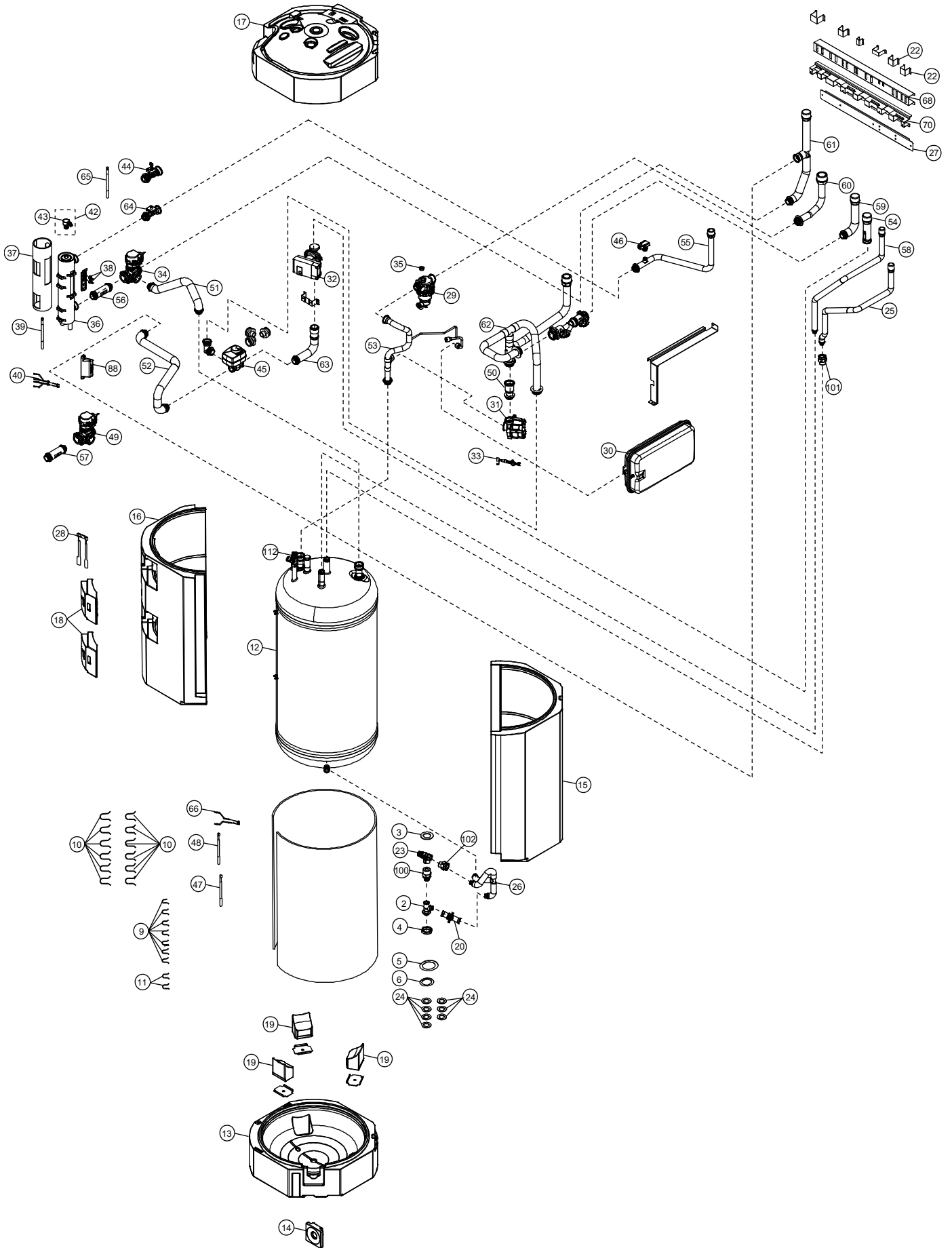


23.1.3 WH-ADC0509L3E5B





Note:
The above exploded view is for the purpose of parts disassembly and replacement.
The non-numbered parts are not kept as standard service parts.



Note:
 The above exploded view is for the purpose of parts disassembly and replacement.
 The non-numbered parts are not kept as standard service parts.

SAFETY	REF. NO.	DESCRIPTION & NAME	QTY.	WH-ADC0509L3E5B	REMARK
	1	CHASSIS - COMPLETE	1	ACXD50C04840	
	2	TUBE CONNECTER	1	ACXT29-02570	
	3	O-RING (ID: 27mm)	1	ACXB81-07070	
	4	NUT	1	ACXH56-01370	
	5	O-RING (ID: 25.70mm) (TUBE)	1	ACXB81-06910	
	6	O-RING (ID: 8.1mm)	1	CWB811179	
	7	O-RING (ID: 35mm)	4	ACXB81-00030	
	8	O-RING (ID: 54mm X 47mm)	6	ACXB81-00040	
	9	RETAINING RING	7	CWH581007	
	10	RETAINING RING	12	ACXH58-00370	
	11	RETAINING RING	2	CWH581038	
	12	TANK COMPLETE	1	ACXB56C01210	
	13	FOAMED POLYSTYRENE	1	ACXG07-07690	
	14	FOAMED POLYSTYRENE	1	ACXG07-07700	
	15	FOAMED POLYSTYRENE	1	ACXG07-07710	
	16	FOAMED POLYSTYRENE	1	ACXG07-07720	
	17	FOAMED POLYSTYRENE	1	ACXG07-07731	
	18	FOAMED POLYSTYRENE	2	ACXG07-07740	
	19	FOAMED POLYSTYRENE	3	ACXG07-07750	
	20	DRAIN VALVE	1	ACXB65C00111	
	21	U-SHAPED PLATE	1	ACXD62-02710	
	22	PARTICULAR PIECE	2	CWD934023	
	23	VALVE BODY	1	ACXB62-00920	
	24	O-RING (ID: 13.60mm)	7	ACXB81-00010	
	25	TUBE ASSY - COMPLETE	1	ACXT00C40900	
	26	TUBE ASSY	1	ACXT00-77551	
	27	CONNECTING BAR	1	ACXE26-02841	
⚠	28	SENSOR CO. (TANK TEMP CN-TH2)	1	ACXA50C18700	
⚠	29	FILTER COMPLETE	1	ACXB51C00110	
	30	RECEIVER	1	ACXB14-00720	
⚠	31	WATER PUMP	1	ACXB53-00850	
⚠	32	WATER PUMP	1	ACXB53-00370	
⚠	33	LEAD WIRE FOR WATER PUMP	1	ACXA60C73630	
	34	VALVE BODY	1	ACXB62-00092	
	35	PLUG	1	ACXB82-00840	
⚠	36	HEATER ASS'Y	1	ACXA34K00480	
	37	SOUND PROOF MATERIAL	1	ACXG30-10530	
⚠	38	THERMOSTAT	2	ACXA15-00260	
⚠	39	LEAD WIRE - CO. (CN-OLP1)	1	ACXA60C93670	
⚠	40	LEAD WIRE - CO. (OLP & HEATER)	1	ACXA60C93680	

SAFETY	REF. NO.	DESCRIPTION & NAME	QTY.	WH-ADC0509L3E5B	REMARK
	42	VALVE BODY - COMPLETE	1	ACXB62C01130	
	43	VALVE BODY	1	ACXB62-01220	
	44	VALVE BODY	1	ACXB62-00931	
	45	VALVE BODY	1	ACXB62-00120	
	46	BOILER PRESSURE TRANSDUCER	1	ACXB62-01110	
⚠	47	SENSOR - COMPLETE	1	ACXA50C00640	
⚠	48	LEAD WIRE - CO. (CN-DPS)	1	ACXA60C93661	
	49	MOTORIZED 3-WAY VALVE	1	ACXB62-00091	
	50	TUBE ASSY - COMPLETE	1	ACXT00C45280	
	51	TUBE ASSY - COMPLETE	1	ACXT00C45320	
	52	TUBE ASSY - COMPLETE	1	ACXT00C45330	
	53	TUBE ASSY - COMPLETE	1	ACXT00C45480	
	54	TUBE ASSY - COMPLETE	1	ACXT00C41010CZ	
	55	TUBE ASSY - COMPLETE	1	ACXT00C44160	
	56	TUBE ASSY - COMPLETE	1	ACXT00C32731	
	57	TUBE ASSY - COMPLETE	1	ACXT00C37270	
	58	TUBE ASSY - COMPLETE	1	ACXT00C41030	
	59	TUBE ASSY - COMPLETE	1	ACXT00C44240	
	60	TUBE ASSY - COMPLETE	1	ACXT00C44120	
	61	TUBE ASSY - COMPLETE	1	ACXT00C44190	
	62	TUBE ASSY - COMPLETE	1	ACXT00C44170	
	63	TUBE ASSY - COMPLETE	1	ACXT00C44220	
	64	FLOW SWITCH	1	ACXB62-00932	
⚠	65	LEAD WIRE - FLOW SENSOR	1	ACXA60C82910	
⚠	66	SENSOR - CO.	1	ACXA50C19160	
	68	CONNECTING BAR	1	ACXE26-02900	
	69	CONNECTING BAR	1	ACXE26-02860	
	70	CONNECTING BAR	1	ACXE26-02910	
	71	CONNECTING BAR	1	ACXE26-02870	
	72	CONNECTING BAR	1	ACXE26-02880	
	73	BOX SHAPED PLATE	1	ACXD66-03960	
	74	BOX SHAPED PLATE (DECO)	1	ACXD66-03970	
	75	CABINET SIDE PLATE (L)	1	ACXE04-13290A	
	76	CABINET SIDE PLATE (R)	1	ACXE04-13300A	
	77	CABINET REAR PLATE	1	ACXE02-03400	
	78	HANDLE	2	ACXE16-00300	
	79	CONTROL BOARD	1	ACXH10-09860	
⚠	80	ELECTRONIC CONTROLLER - MAIN	1	ACXA73C95260	
⚠	81	LEAD WIRE - COMPLETE	1	ACXA60C96540	
⚠	82	REACTOR	1	G0C103Z00003	

SAFETY	REF. NO.	DESCRIPTION & NAME	QTY.	WH-ADC0509L3E5B	REMARK
	83	RESIDUAL CURRENT - CIRCUIT BREAKER	2	ACXA18-00011	
	84	LEAD WIRE - COMPLETE	1	ACXA60C73640	
	87	TERMINAL BOARD ASSY	1	CWA28K1217	
	88	TERMINAL COVER	1	CWH171051	
	89	HINGE	2	CWH611006	
	90	CONTROL BOARD COVER	1	ACXH13-09290	
	91	HOLDER - P.S. CORD	3	CWH31103	
	92	REMOTE CONTROL COMPLETE	1	ACXA75C23080	
	93	LEAD WIRE FOR REMOTE CONTROL	1	ACXA60C93691	
	94	REMOTE CONTROL SWITCH - COMPLETE	1	ACXA75C23211	
	95	CABINET TOP PLATE	1	ACXE03-04940	
	96	CABINET FRONT PLATE	1	ACXE06-05161A	
	97	DECORATION BASE ASS'Y	1	ACXE35K03630	
	98	DECORATION BASE ASS'Y	1	ACXE35K03640	
	99	ACCESSORY ADJUSTABLE FEET	1	CWH82C2112	
	100	SOCKET COMPLETE	1	ACXT27-00020	
	101	SOCKET	1	CWT271092	
	102	SOCKET	1	ACXT27-00090	
	103	OPERATING INSTRUCTION	1	ACXF55-36240	
	104	INSTALLATION INSTRUCTION	1	ACXF60-51240	
	105	INSTALLATION INSTRUCTION	1	ACXF60-50710	
	106	BAG - COMPLETE	1	CWG87C900	
	107	MODEL LABEL	1	ACXF87-02480	
	108	BAG	1	ACXG86-04782	
	109	BASE BOARD - COMPLETE	1	ACXG62C02790	
	110	TOP BOARD COMPLETE	1	ACXG60C00300	
	111	C.C. CASE	1	ACXG50-61790	
	112	CHECK VALVE	1	ACXB03-00040	

Note:

- All parts are supplied from PAVCCZ, Czech (Vendor Code: 00029407).
- "O" marked parts are recommended to be kept in stock.