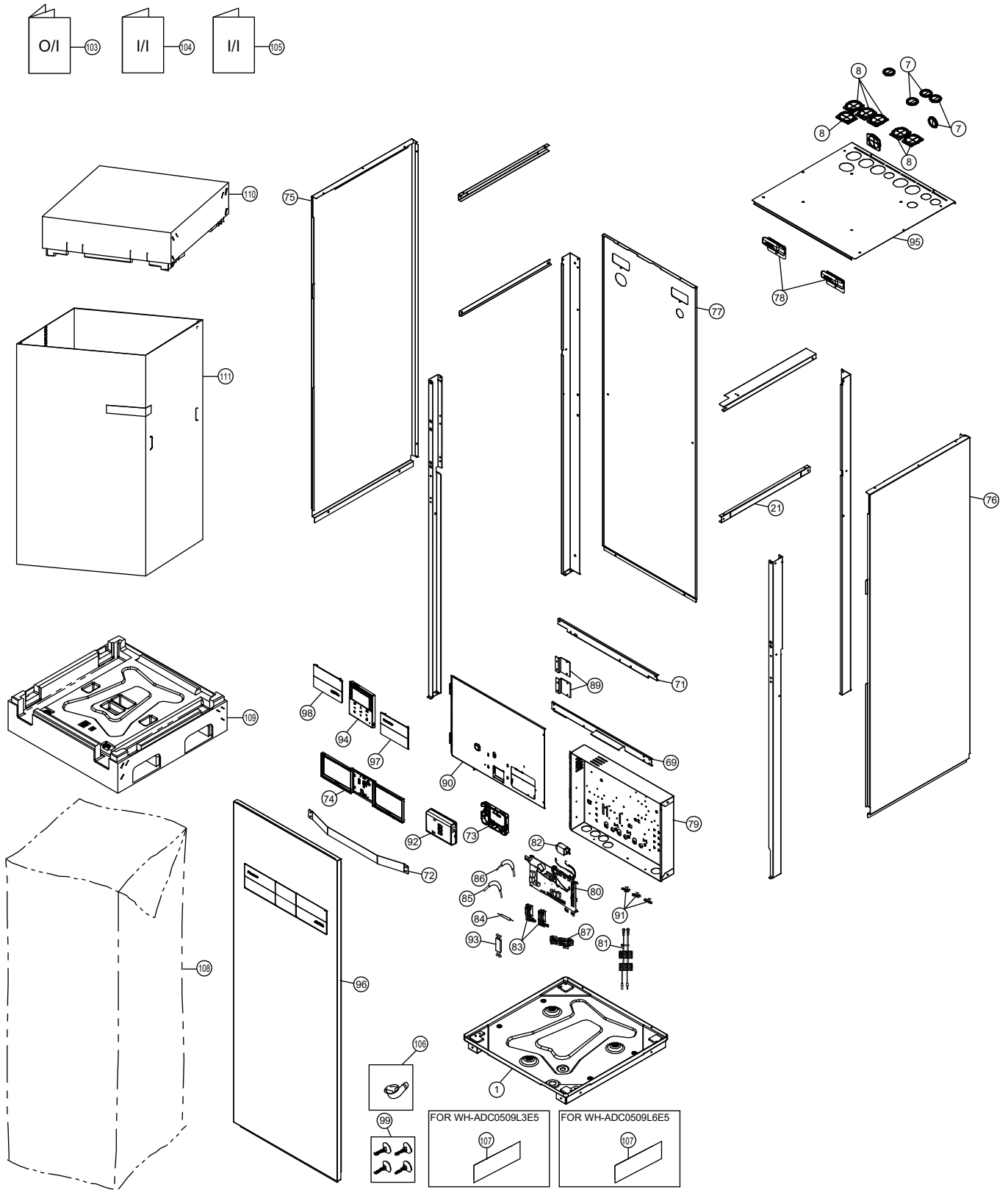


23. Exploded View and Replacement Parts List

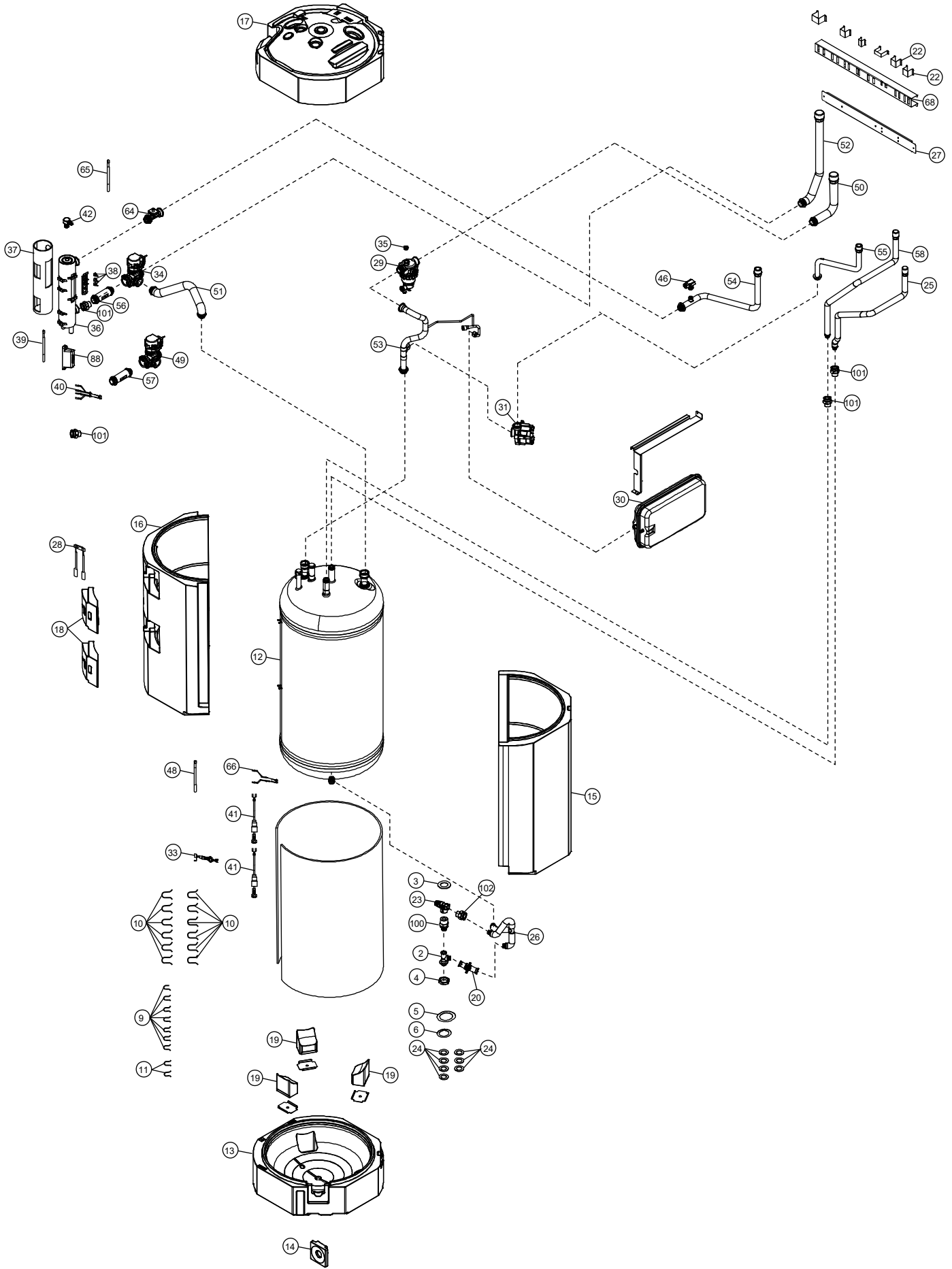
23.1 Indoor Unit

23.1.1 WH-ADC0509L3E5 WH-ADC0509L6E5



Note:

The above exploded view is for the purpose of parts disassembly and replacement. The non-numbered parts are not kept as standard service parts.



Note:
 The above exploded view is for the purpose of parts disassembly and replacement.
 The non-numbered parts are not kept as standard service parts.

SAFETY	REF. NO.	DESCRIPTION & NAME	QTY.	WH-ADC0509L3E5	WH-ADC0509L6E5	REMARK
	1	CHASSIS - COMPLETE	1	ACXD50C04840	←	
	2	TUBE CONNECTER	1	ACXT29-02570	←	
	3	O-RING (ID: 27mm)	1	ACXB81-07070	←	
	4	NUT	1	ACXH56-01370	←	
	5	O-RING (ID: 25.70mm) (TUBE)	1	ACXB81-06910	←	
	6	O-RING (ID: 8.1mm)	1	CWB811179	←	
	7	O-RING (ID: 35mm)	4	ACXB81-00030	←	
	8	O-RING (ID: 54mm X 47mm)	6	ACXB81-00040	←	
	9	RETAINING RING	7	CWH581007	←	
	10	RETAINING RING	12	ACXH58-00370	←	
	11	RETAINING RING	2	CWH581038	←	
	12	TANK COMPLETE	1	ACXB56C01210	←	
	13	FOAMED POLYSTYRENE	1	ACXG07-07690	←	
	14	FOAMED POLYSTYRENE	1	ACXG07-07700	←	
	15	FOAMED POLYSTYRENE	1	ACXG07-07710	←	
	16	FOAMED POLYSTYRENE	1	ACXG07-07720	←	
	17	FOAMED POLYSTYRENE	1	ACXG07-07731	←	
	18	FOAMED POLYSTYRENE	2	ACXG07-07740	←	
	19	FOAMED POLYSTYRENE	3	ACXG07-07750	←	
	20	DRAIN VALVE	1	ACXB65C00111	←	
	21	U-SHAPED PLATE	1	ACXD62-02710	←	
	22	PARTICULAR PIECE	2	ACXD93-25020	←	
	23	VALVE BODY	1	ACXB62-00920	←	
	24	O-RING (ID: 13.60mm)	7	ACXB81-00010	←	
	25	TUBE ASSY - COMPLETE	1	ACXT00C40900	←	
	26	TUBE ASSY	1	ACXT00-77551	←	
	27	CONNECTING BAR	1	ACXE26-02841	←	
⚠	28	SENSOR CO. (TANK TEMP CN-TH2)	1	ACXA50C18700	←	
⚠	29	FILTER COMPLETE	1	ACXB51C00110	←	
	30	RECEIVER	1	ACXB14-00720	←	
⚠	31	WATER PUMP	1	ACXB53-00850	←	
⚠	33	LEAD WIRE FOR WATER PUMP	1	ACXA60C73630	←	
	34	VALVE BODY	1	ACXB62-00092	←	
	35	PLUG	1	ACXB82-00840	←	
⚠	36	HEATER ASS'Y	1	ACXA34K00480	ACXA34K00530	
	37	SOUND PROOF MATERIAL	1	ACXG30-10530	←	
⚠	38	THERMOSTAT	2/3	ACXA15-00260	←	
⚠	39	LEAD WIRE - CO. (CN-OLP1)	1	ACXA60C93670	←	
⚠	40	LEAD WIRE - CO. (OLP & HEATER)	1	ACXA60C93680	ACXA60C84060	
⚠	41	LEAD WIRE - CO	2	-	ACXA60C94860	
	42	VALVE BODY - COMPLETE	1	ACXB62C01130	←	
	46	BOILER PRESSURE TRANSDUCER	1	ACXB62-01110	←	
⚠	48	LEAD WIRE - CO. (CN-DPS)	1	ACXA60C93661	←	

SAFETY	REF. NO.	DESCRIPTION & NAME	QTY.	WH-ADC0509L3E5	WH-ADC0509L6E5	REMARK
	49	MOTORIZED 3-WAY VALVE	1	ACXB62-00091	←	
	50	TUBE ASSY - COMPLETE	1	ACXT00C45260	←	
	51	TUBE ASSY - COMPLETE	1	ACXT00C45320	←	
	52	TUBE ASSY - COMPLETE	1	ACXT00C45370	←	
	53	TUBE ASSY - COMPLETE	1	ACXT00C45480	←	
	54	TUBE ASSY - COMPLETE	1	ACXT00C45380	←	
	55	TUBE ASSY - COMPLETE	1	ACXT00C45390	←	
	56	TUBE ASSY - COMPLETE	1	ACXT00C32731	←	
	57	TUBE ASSY - COMPLETE	1	ACXT00C37270	←	
	58	TUBE ASSY - COMPLETE	1	ACXT00C41030	←	
	64	FLOW SWITCH	1	ACXB62-00932	←	
⚠	65	LEAD WIRE - FLOW SENSOR	1	ACXA60C82910	←	
⚠	66	SENSOR - CO.	1	ACXA50C19160	←	
	68	CONNECTING BAR	1	ACXE26-02850	←	
	69	CONNECTING BAR	1	ACXE26-02860	←	
	71	CONNECTING BAR	1	ACXE26-02870	←	
	72	CONNECTING BAR	1	ACXE26-02880	←	
	73	BOX SHAPED PLATE	1	ACXD66-03960	←	
	74	BOX SHAPED PLATE (DECO)	1	ACXD66-03970	←	
	75	CABINET SIDE PLATE (L)	1	ACXE04-13290A	←	
	76	CABINET SIDE PLATE (R)	1	ACXE04-13300A	←	
	77	CABINET REAR PLATE	1	ACXE02-03400	←	
	78	HANDLE	2	ACXE16-00300	←	
	79	CONTROL BOARD	1	ACXH10-09860	←	
⚠	80	ELECTRONIC CONTROLLER - MAIN	1	ACXA73C95250	ACXA73C95290	
⚠	81	LEAD WIRE - COMPLETE	1	ACXA60C96540	ACXA60C94850	
⚠	82	REACTOR	1	G0C103Z00003	←	
⚠	83	RESIDUAL CURRENT - CIRCUIT BREAKER	2	ACXA18-00011	←	
⚠	84	LEAD WIRE - COMPLETE	1	-	ACXA60C94890	
⚠	85	LEAD WIRE - COMPLETE	1	-	ACXA60C94880	
⚠	86	LEAD WIRE - COMPLETE	1	-	ACXA60C94870	
⚠	87	TERMINAL BOARD ASSY (1,2,3)	1	CWA28K1217	←	
	88	TERMINAL COVER	1	CWH171051	←	
	89	HINGE	2	CWH611006	←	
	90	CONTROL BOARD COVER	1	ACXH13-09290	←	
	91	HOLDER - P.S. CORD	3	CWH31103	←	
⚠	92	REMOTE CONTROL COMPLETE	1	ACXA75C23080	←	
⚠	93	LEAD WIRE FOR REMOTE CONTROL	1	ACXA60C93691	←	
	94	REMOTE CONTROL SWITCH - COMPLETE	1	ACXA75C23211	←	
	95	CABINET TOP PLATE	1	ACXE03-04930	←	
	96	CABINET FRONT PLATE	1	ACXE06-05161A	←	
	97	DECORATION BASE ASS'Y	1	ACXE35K03630	←	

SAFETY	REF. NO.	DESCRIPTION & NAME	QTY.	WH-ADC0509L3E5	WH-ADC0509L6E5	REMARK
	98	DECORATION BASE ASS'Y	1	ACXE35K03640	←	
	99	ACCESSORY ADJUSTABLE FEET	1	CWH82C2112	←	
	100	SOCKET COMPLETE	1	ACXT27-00020	←	
	101	SOCKET	1/3	CWT271092	←	
	102	SOCKET	1	ACXT27-00090	←	
	103	OPERATING INSTRUCTION	1	ACXF55-36200	←	
	104	INSTALLATION INSTRUCTION	1	ACXF60-51230	←	
	105	INSTALLATION INSTRUCTION	1	ACXF60-50710	←	
	106	BAG - COMPLETE	1	CWG87C900	←	
	107	MODEL LABEL	1	ACXF87-02470	ACXF87-02500	
	108	BAG	1	ACXG86-04782	←	
	109	BASE BOARD - COMPLETE	1	ACXG62C02790	←	
	110	TOP BOARD COMPLETE	1	ACXG60C00300	←	
	111	C.C. CASE	1	ACXG50-61790	←	

Note:

- All parts are supplied from PAVCCZ, Czech (Vendor Code: 00029407).
- "O" marked parts are recommended to be kept in stock.