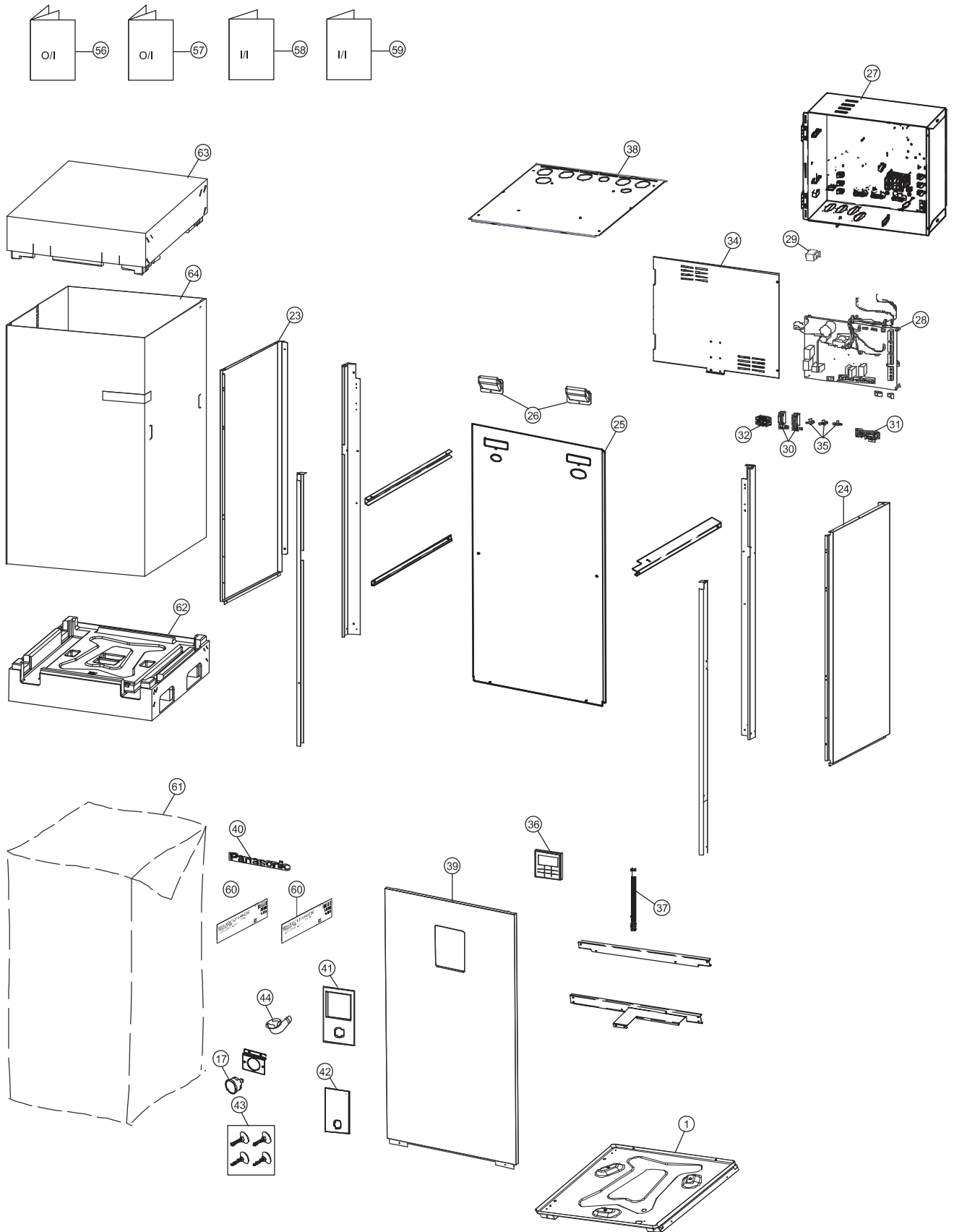


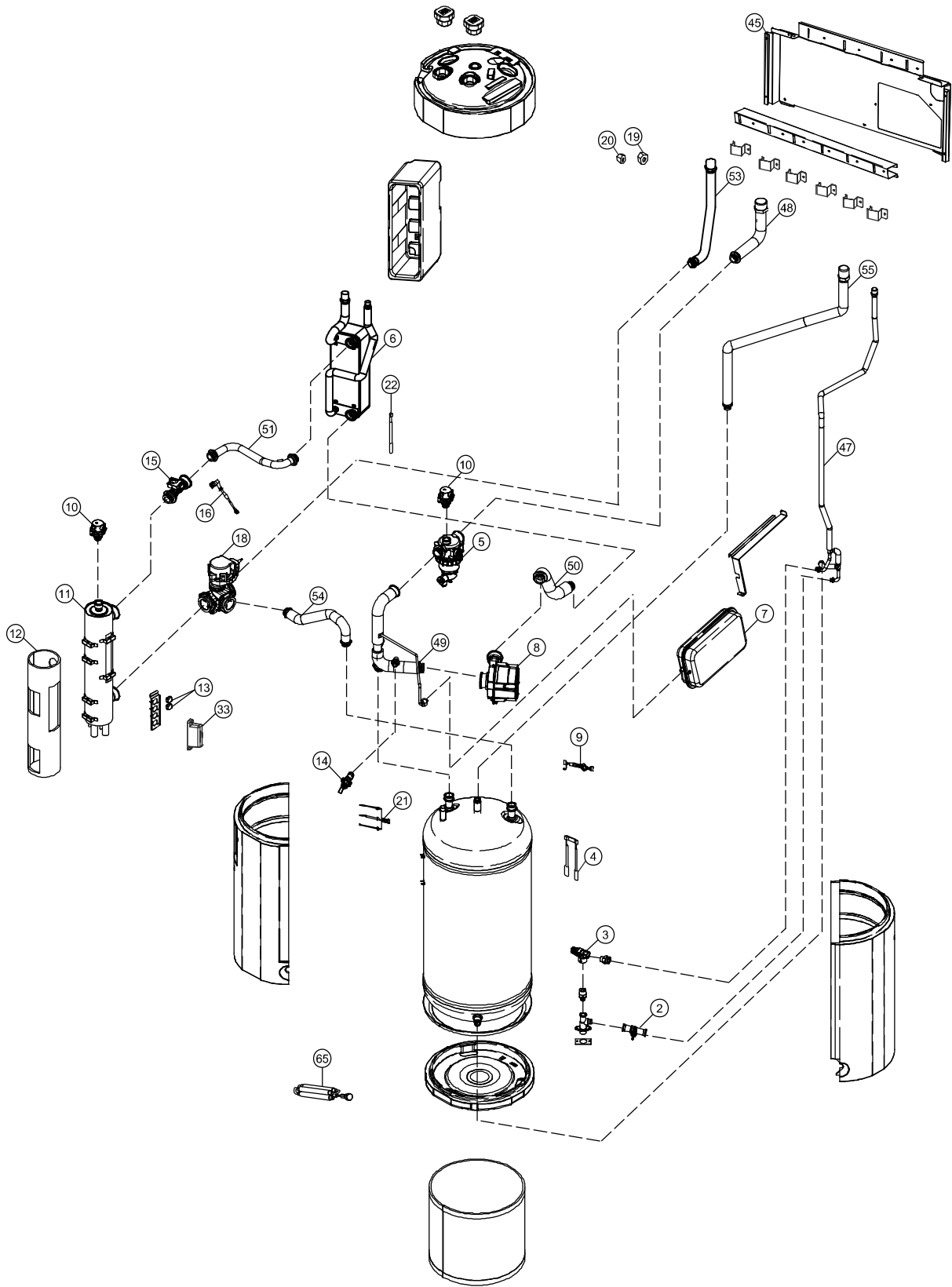
## 20. Exploded View and Replacement Parts List

### 20.1 Indoor Unit



**Note:**

The above exploded view is for the purpose of parts disassembly and replacement. The non-numbered parts are not kept as standard service parts.



**Note:**  
 The above exploded view is for the purpose of parts disassembly and replacement.  
 The non-numbered parts are not kept as standard service parts.

SAFETY	REF. NO.	PART NAME & DESCRIPTION	Qty	WH-ADC1216H6E5C	REMARK
	1	CHASSIS - COMPLETE	1	ACXD50C03830	
	2	DRAIN VALVE	1	ACXB65C00111	O
	3	PRESSURE AND TEMP RELIEF VALVE (TANK)	1	ACXB62-00110	O
	4	SENSOR CO. (TANK TEMP CN-TH2)	1	ACXA50C16520	O
	5	FILTER COMPLETE	1	ACXB51C00110	
	6	HOT WATER COIL - COMPLETE	1	ACXB90C01400	
	7	RECEIVER	1	CWB141039	
	8	WATER PUMP	1	ACXB53-00390	O
	9	LEAD WIRE FOR WATER PUMP	1	ACXA60C73630	O
	10	AIR PURGE VALVE	2	ACXB62-00130	O
	11	HEATER ASS'Y	1	ACXA34K00530	
	12	SOUND PROOF MATERIAL	1	ACXG30-08750	
	13	THERMOSTAT	3	CWA151074	O
	14	PRESSURE RELIEF VALVE	1	ACXB62-00100	O
	15	FLOW SWITCH	1	ACXB62-00911	O
	16	LEAD WIRE - FLOW SENSOR	1	CWA68C2281	O
	17	PRESSURE GAUGE	1	ACXB07-00101	O
	18	3 WAY VALVE (WATER)	1	ACXB62-00090	O
	19	FLARE NUT (5/8)	1	CWT251064	
	20	FLARE NUT (1/4)	1	CWT251063	
	21	SENSOR - CO. (WATER IN OUT, REF TEMP SENSOR CN-TH1)	1	ACXA50C16380	O
	22	SENSOR - CO. (HEX WATER OUTLET TEMP CN-TH3)	1	ACXA50C16390	O
	23	CABINET SIDE PLATE (L)	1	ACXE04-12000A	
	24	CABINET SIDE PLATE (R)	1	ACXE04-12010A	
	25	CABINET REAR PLATE	1	ACXE02-03020	
	26	HANDLE	2	ACXE16-00100	
	27	CONTROL BOARD	1	ACXH10-08530	
	28	ELECTRONIC CONTROLLER - MAIN	1	ACXA73C72790	O
	29	REACTOR	1	GOC103Z00003	O
	30	RESIDUALCURRENT - CIRCUIT BREAKER	2	K5KYYAY00003	O
	31	TERMINAL BOARD ASSY (1,2,3)	1	CWA28K1217	O
	32	TERMINAL BOARD ASSY (A,B)	1	CWA28K1238	O
	33	TERMINAL COVER	1	CWH171051	
	34	CONTROL BOARD COVER	1	ACXH13-08621	
	35	HOLDER - P.S. CORD	3	CWH31103	
	36	REMOTE CONTROL COMPLETE	1	ACXA75C15751	O
	37	LEAD WIRE FOR REMOTE CONTROL	1	ACXA60C04350	
	38	CABINET TOP PLATE	1	ACXE03-04510	
	39	CABINET FRONT PLATE	1	ACXE06-04660A	

SAFETY	REF. NO.	PART NAME & DESCRIPTION	Qty	WH-ADC1216H6E5C	REMARK
	40	PANASONIC BADGE	1	CWE375343	
	41	DECORATION BASE ASS'Y	1	CWE35K1285	
	42	ACCESSORY - CO. (DECORATION BASE ASS'Y)	1	CWH82C2174	
	43	ACCESSORY ADJUSTABLE FEET	1	CWH82C2112	
	44	ACCESSORY CO. (DRAIN ELBOW)	1	CWG87C900	
	45	HOLDER - COUPLING	1	ACXH35-01790	
	47	TUBE ASSY - COMPLETE	1	ACXT00C32851	
	48	TUBE ASSY - COMPLETE	1	ACXT00C32681	
	49	TUBE ASSY - COMPLETE	1	ACXT00C32692	
	50	TUBE ASSY - COMPLETE	1	ACXT00C34120	
	51	TUBE ASSY - COMPLETE	1	ACXT00C34130	
	52	TUBE ASSY - COMPLETE	1	ACXT00C32731	
	53	TUBE ASSY - COMPLETE	1	ACXT00C32740	
	54	TUBE ASSY - COMPLETE	1	ACXT00C32750	
	55	TUBE ASSY - COMPLETE	1	ACXT00C32760	
	56	OPERATING INSTRUCTION	1	ACXF55-29430	
	57	OPERATING INSTRUCTION	1	ACXF55-29440	
	58	INSTALLATION INSTRUCTION	1	ACXF60-41360	
	59	INSTALLATION INSTRUCTION	1	ACXF60-41690	
	60	MODEL LABEL	2	ACXF85-55090	
	61	BAG	1	ACXG86-04780	
	62	BASE BOARD - COMPLETE	1	ACXG62C02120	
	63	TOP BOARD COMPLETE	1	ACXG60C00250	
	64	C.C. CASE	1	ACXG50-55930	
	65	ACCESSORY PART (ROD ANODE)	1	ACXH82-03320	

**Note:**

- All parts are supplied from PHVACCZ, Czech (Vendor Code: 00029407).
- "O" marked parts are recommended to be kept in stock.