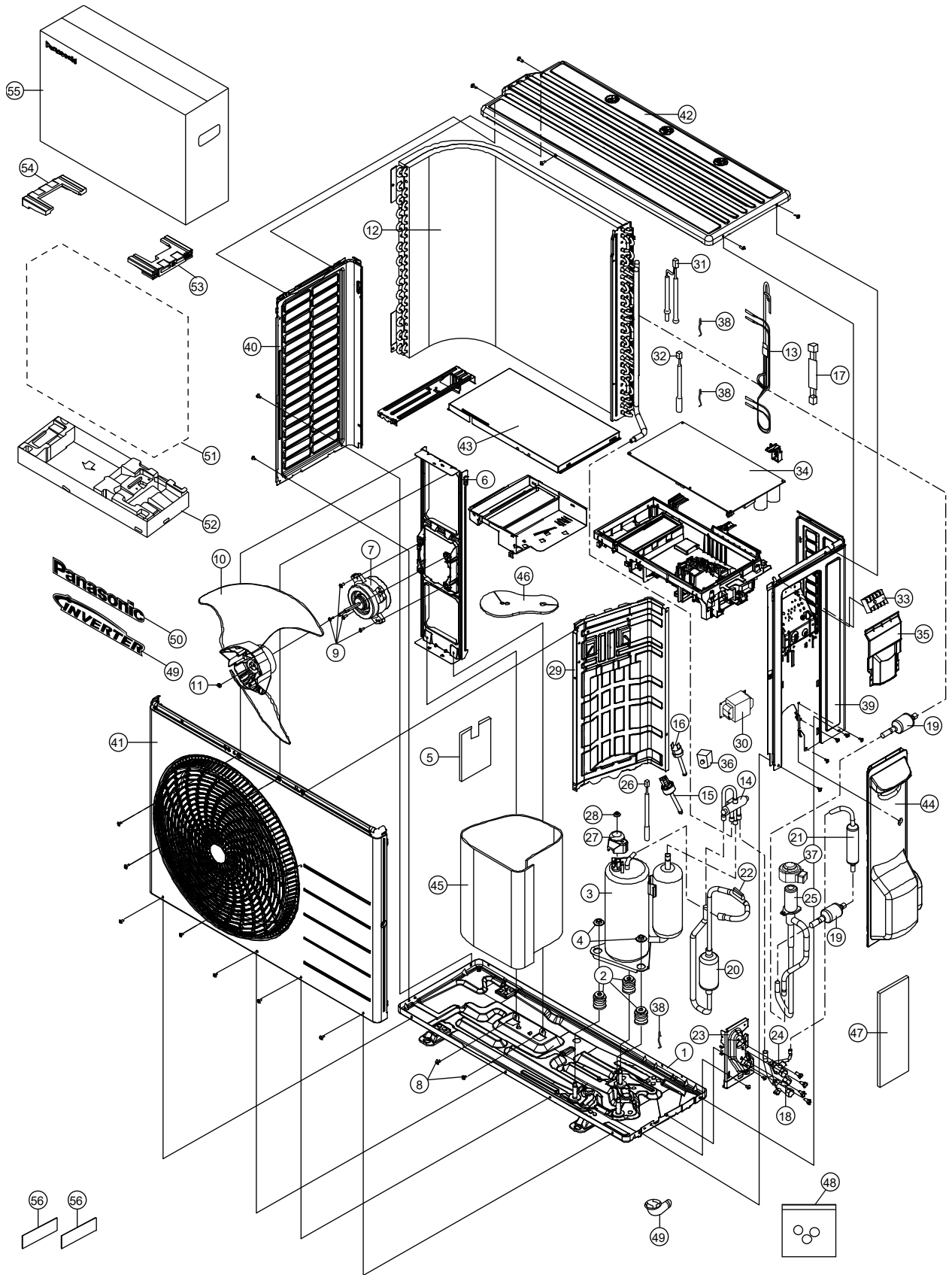


24.2 Outdoor Unit

24.2.1 WH-UDZ03KE5



Note:

The above exploded view is for the purpose of parts disassembly and replacement.
The non-numbered parts are not kept as standard service parts.

SAFETY	REF. NO.	DESCRIPTION & NAME	QTY.	WH-UDZ03KE5	REMARK
	1	CHASSY ASS'Y	1	CWD52K1317	
	2	ANTI - VIBRATION BUSHING	3	CWH50077	
⚠	3	COMPRESSOR	1	9RD138ZAB21	O
	4	NUT - COMPRESSOR MOUNT	3	CWH561096	
	5	SOUND PROOF MATERIAL	1	CWG302762	
	6	BRACKET FAN MOTOR	1	CWD541167	
⚠	7	FAN MOTOR, DC 40W 3PH	1	L6CAYYYL0064	O
	8	SCREW - BRACKET FAN MOTOR	2	ACXH55-07140	
	9	SCREW - FAN MOTOR MOUNT	4	CWH55252J	
	10	PROPELLER FAN ASSY	1	CWH03K1066	
	11	NUT - PROPELLER FAN	1	CWH56053J	
	12	CONDENSER	1	ACXB32C26820	
	13	MANIFOLD TUBE ASS'Y (CAP TUBE)	1	CWT07K1831	
	14	4-WAYS VALVE	1	CWB001063	O
⚠	15	HIGH PRESSURE SENSOR CN-HPS	1	CWA501463	O
	16	PRESSURE SWITCH	1	ACXA10-00640	O
	17	LEAD WIRE - COMPLETE	1	CWA68C1224	O
	18	3-WAYS VALVE	1	ACXB01-04050	O
	19	STRAINER	2	CWB11094	
	20	DISCHARGE MUFFLER (1)	1	CWB121010	
	21	DISCHARGE MUFFLER (2)	1	CWB121063	
	22	HOLDER - SENSOR	1	CWH32075	
	23	HOLDER - COUPLING	1	CWH351233	
	24	2-WAYS VALVE	1	ACXB02-02680	O
	25	EXPANSION VALVE	1	CWB051029	O
⚠	26	SENSOR - CO. (DISCHARGE TEMP CN-DIS)	1	ACXA50C15550	O
	27	TERMINAL COVER	1	CWH171039A	
	28	NUT - TERMINAL COVER	1	CWH7080300J	
	29	SOUND - PROOF BOARD	1	CWH151345	
⚠	30	REACTOR	1	G0C392J00027	O
⚠	31	SENSOR - CO. (OUTDDOR AIR & PIPING TEMP CN-TH1)	1	CWA50C2893	O
⚠	32	SENSOR - CO. (EVA EXIT TEMP CN-TH3)	1	CWA50C3374	O
⚠	33	TERMINAL BOARD ASS'Y (1,2,3)	1	CWA28K1036J	O
⚠	34	ELECTRONIC CONTROLLER - MAIN	1	ACXA73C92000R	O
	35	PLATE - C.B. COVER	1	CWH131470	
⚠	36	V-COIL COMP. (4 WAY VALVE)	1	CWA43C2431	O
⚠	37	V-COIL CO. (EXPANSION VALVE)	1	ACXA43C06020	O
	38	HOLDER - SENSOR	3	CWH32143	
	39	CABINET SIDE PLATE CO.	1	ACXE04C08670	
	40	CABINET SIDE PLATE (L)	1	ACXE04-13070G	

SAFETY	REF. NO.	DESCRIPTION & NAME	QTY.	WH-UDZ03KE5	REMARK
	41	CABINET FRONT PLATE - CO.	1	ACXE06C04700	
	42	CABINET TOP PLATE	1	ACXE03-04830G	
	43	CONTROL BOARD COVER	1	CWH131473	
	44	CONTROL BOARD COVER - COMPLETE	1	ACXH13C06420	
	45	SOUND PROOF MATERIAL	1	ACXG30-08570	
	46	SOUND PROOF MATERIAL	1	CWG302630	
	47	SOUND PROOF MATERIAL	1	CWG302788	
	48	ACCESSORY COMP. (CAP)	1	ACXH82C03830	
	49	ACCESSORY COMP. (DRAIN ELBOW)	1	ACXH82C21740	
	50	PANASONIC BADGE	1	ACXE37-19200	
	51	BAG	1	CWG861078	
	52	BASE BOARD - COMPLETE	1	CWG62C1162	
	53	SHOCK ABSORBER	1	ACXG70-14440A	
	54	SHOCK ABSORBER	1	ACXG70-14450A	
	55	C.C. CASE	1	ACXG50-48673	
	56	MODEL LABEL	2	ACXF85-99600	

Note:

- All parts are supplied from PAPAMY, Malaysia (Vendor Code: 00029488).
- "O" marked parts are recommended to be kept in stock.