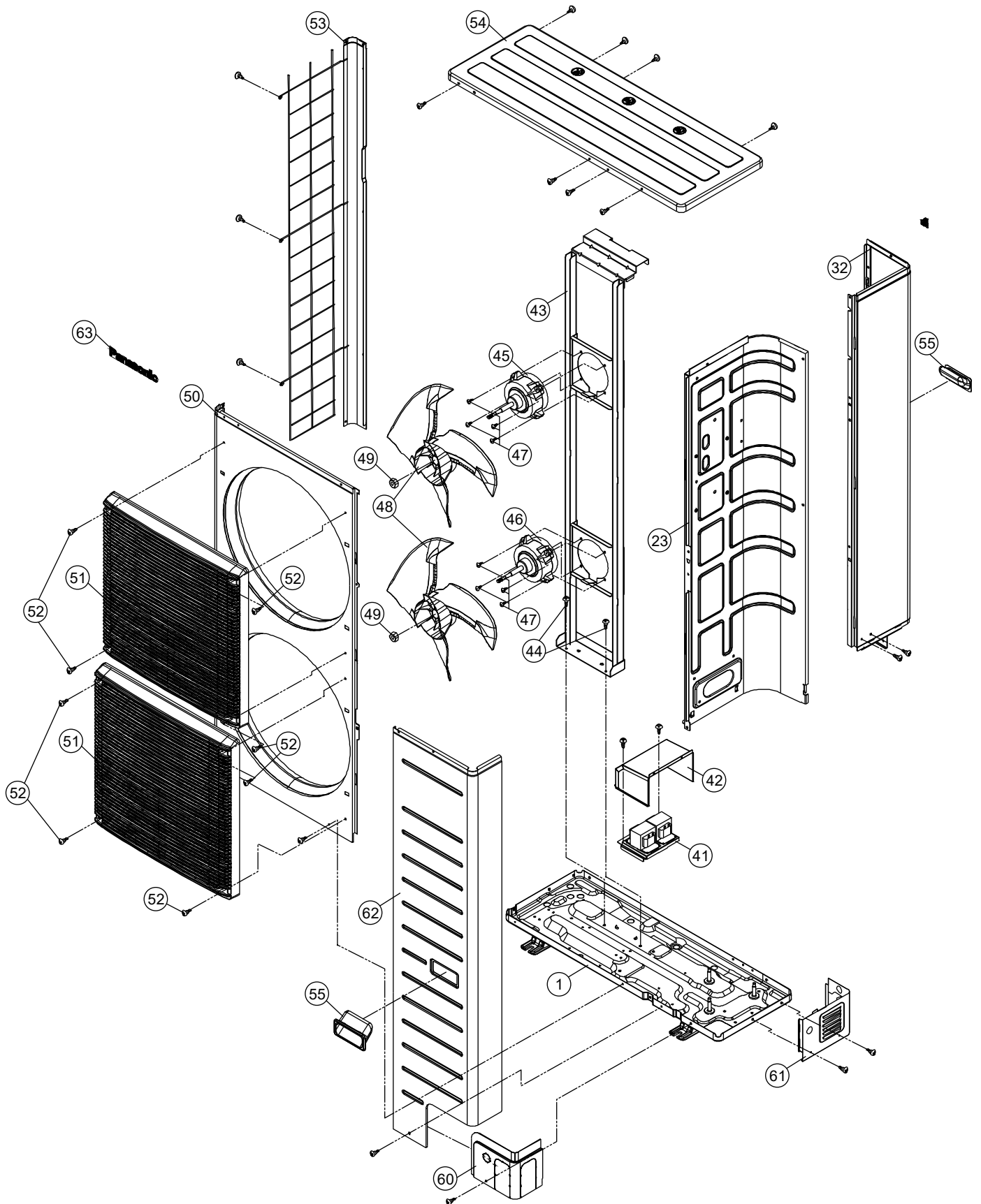
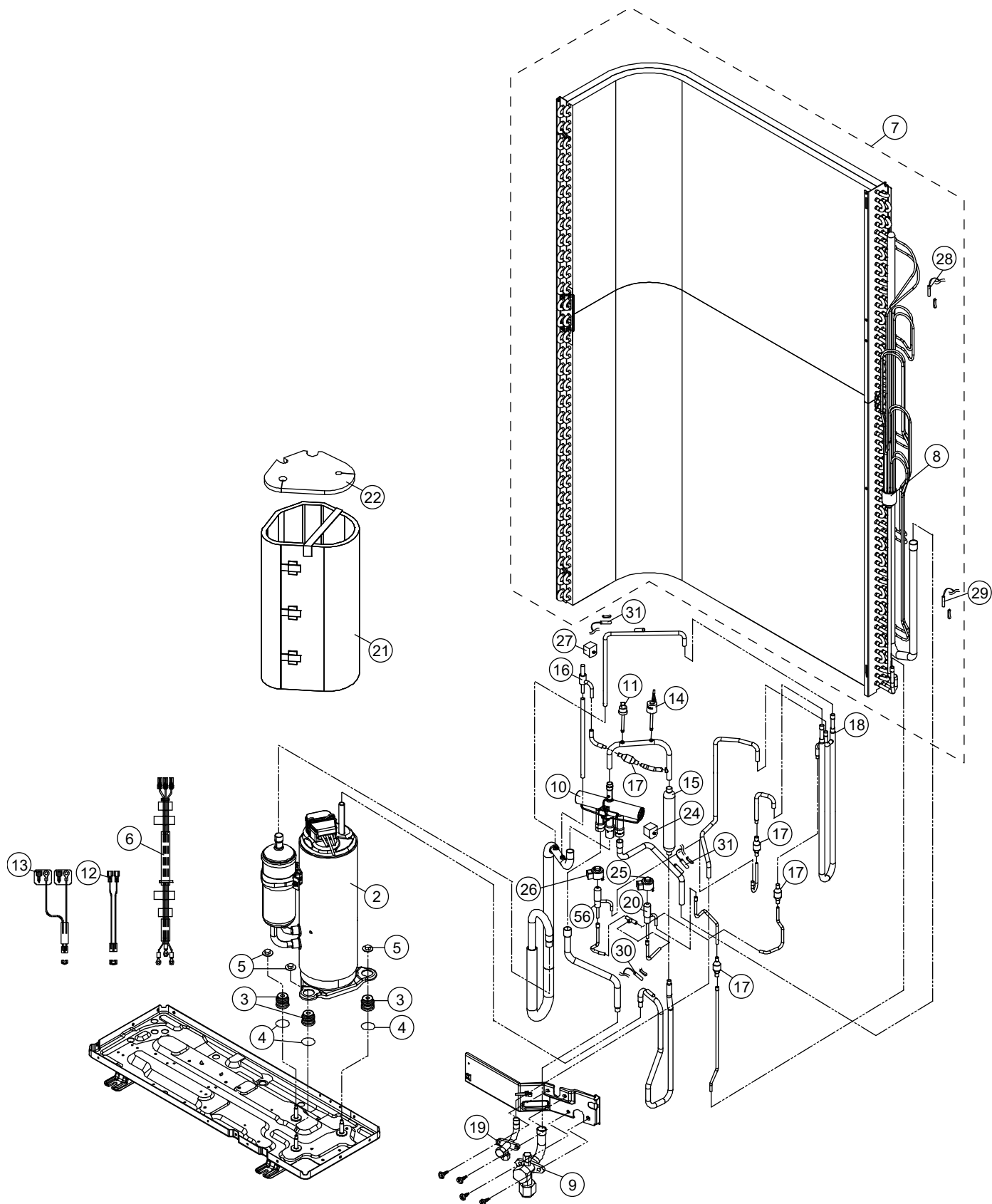


## 21.2 Outdoor Unit

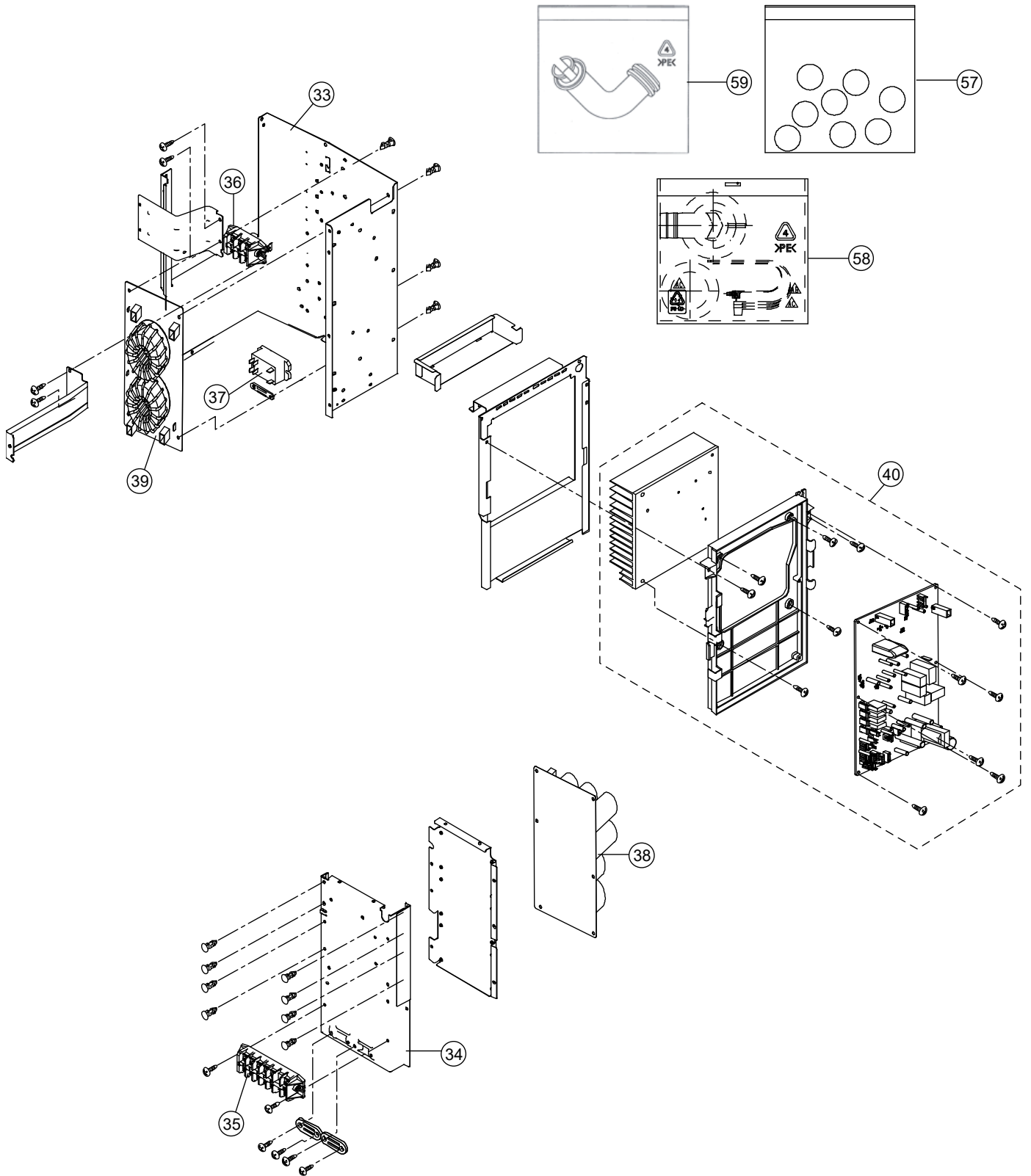


**Note:**

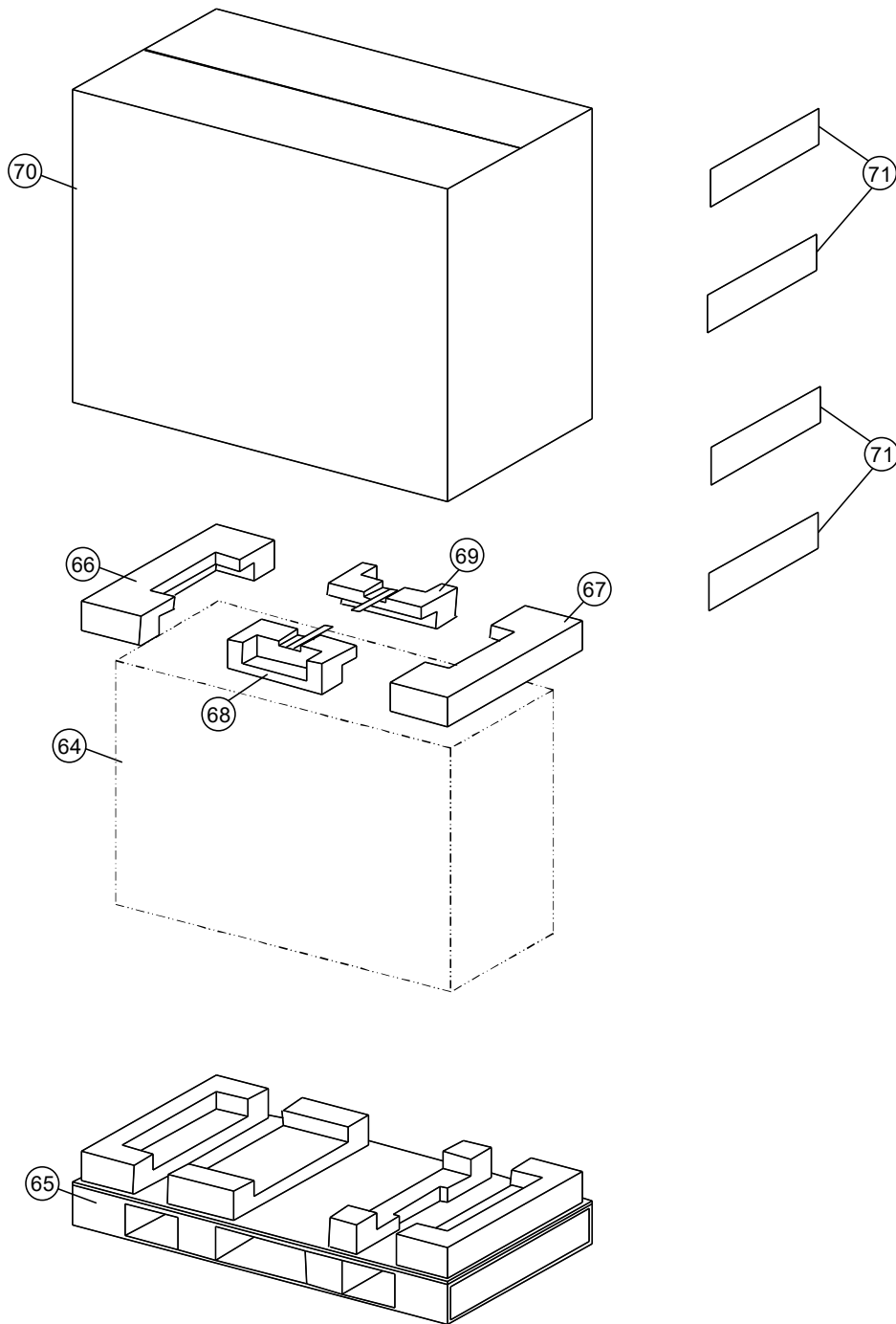
The above exploded view is for the purpose of parts disassembly and replacement. The non-numbered parts are not kept as standard service parts.



**Note:**  
 The above exploded view is for the purpose of parts disassembly and replacement.  
 The non-numbered parts are not kept as standard service parts.



**Note:**  
 The above exploded view is for the purpose of parts disassembly and replacement.  
 The non-numbered parts are not kept as standard service parts.



**Note:**

The above exploded view is for the purpose of parts disassembly and replacement.  
The non-numbered parts are not kept as standard service parts.

SAFETY	REF. NO.	DESCRIPTION & NAME	QTY.	WH-UXZ09KE5	WH-UXZ12KE5	REMARK
	1	BASE PAN ASS'Y	1	ACXD52K05220	←	
⚠	2	COMPRESSOR	1	9KD420XAD21	←	O
	3	BUSHING - COMPRESSOR MOUNT	3	CWH50055	←	
	4	PACKING	3	CWB811017	←	
	5	NUT - COMPRESSOR MOUNT	3	CWH561049	←	
⚠	6	LEAD WIRE - COMPRESSOR	1	ACXA60C94910	←	
	7	CONDENSER COMPLETE	1	ACXB32C26740	←	
	8	TUBE ASSY (CAP. TUBE)	1	ACXT07K10140	←	
	9	3-WAYS VALVE (GAS)	1	ACXB01-06230	←	O
	10	4-WAYS VALVE	1	ACXB00-01530	←	O
	11	PRESSURE SWITCH	1	ACXA10-00650	←	O
⚠	12	LEAD WIRE - CO. (CN-PSW1)	1	CWA67C8514	←	
⚠	13	LEAD WIRE - CO. (CN-RY1)	1	CWA67C9415	←	
	14	SENSOR	1	ACXA50-05990	←	O
	15	DISCHARGE MUFFLER	1	CWB121014	←	
	16	2-WAYS VALVE	1	CWB021637	←	
	17	STRAINER	4	CWB111032	←	
	18	TUBE HEAT EXCHANGER	1	CWB361003	←	
	19	2-WAYS VALVE	1	ACXB02-04010	←	
	20	EXPANSION VALVE	1	CWB051091	←	
	21	SOUND PROOF MATERIAL	1	ACXG30-13540	←	
	22	SOUND PROOF MATERIAL	1	ACXG30-13550	←	
	23	SOUND PROOF BOARD	1	CWH151085	←	O
⚠	24	V-COIL COMPLETE (CN-HOT)	1	CWA43C2169J	←	O
⚠	25	V-COIL COMPLETE (CN-EV)	1	ACXA43C06900	←	O
⚠	26	V-COIL COMPLETE (CN-EV2)	1	CWA43C2335	←	O
⚠	27	V-COIL COMPLETE (CN-V1)	1	CWA43C2607	←	O
⚠	28	SENSOR - COMPLETE (CN-TH1)	1	ACXA50C18980	←	O
⚠	29	SENSOR - COMPLETE (CN-TH2)	1	ACXA50C19270	←	O
⚠	30	SENSOR - COMPLETE (CN-DIS)	1	CWA50C2576	←	O
⚠	31	SENSOR - COMPLETE (CN-TH3)	1	CWA50C2807	←	O
	32	CABINET REAR PLATE - COMPLETE	1	ACXE02C01730	←	
	33	CONTROL BOARD CASING	1	ACXH10K02950	←	
	34	BOX SHAPED PLATE	1	CWD661249	←	
⚠	35	TERMINAL BOARD ASS'Y	1	CWA28K1213	←	O
⚠	36	TERMINAL BOARD ASS'Y	1	CWA28K1260	←	O
⚠	37	MAGNET RELAYS	1	K6C1AYY00003	←	O
⚠	38	ELECTRONIC CONTROLLER - CAPACITOR	1	ACXA73-48390	←	O
⚠	39	ELECTRONIC CONTROLLER - NF	1	ACXA73-48400	←	O
⚠	40	ELECTRONIC CONTROLLER (MAIN)	1	ACXA73C94450R	ACXA73C94460R	O
⚠	41	REACTOR	1	G0C592J00006	←	O
	42	PARTICULAR PLATE - A'SSY	1	CWD90K1023	←	
	43	FAN MOTOR BRACKET	1	ACXD54K02560	←	

SAFETY	REF. NO.	DESCRIPTION & NAME	QTY.	WH-UJXZ09KE5	WH-UJXZ12KE5	REMARK
	44	SCREW - FAN MOTOR BRACKET	2	CWH551040J	←	
	45	FAN MOTOR (UPPER)	1	L6CBYYYL0362	←	O
	46	FAN MOTOR (LOWER)	1	L6CBYYYL0363	←	O
	47	SCREW - FAN MOTOR MOUNT	8	CWH551323	←	
	48	PROPELLER FAN ASSY	2	CWH00K1006	←	
	49	NUT	2	CWH561092	←	
	50	CABINET FRONT PLATE	1	CWE061098G	←	
	51	DISCHARGE GRILLE	2	CWE201154G	←	
	52	SCREW	8	ACXH55-07740	←	
	53	CABINET SIDE PLATE ASSY	1	CWE04K1023G	←	
	54	CABINET TOP PLATE - COMPLETE	1	ACXE03C02300	←	
	55	HANDLE	2	CWE161008G	←	
	56	EXPANSION VALVE	1	CWB051029	←	O
	57	ACCESSORY - COMPLETE	1	ACXH82C03550	←	
	58	ACCESSORY - COMPLETE	1	ACXH82C26600	←	
	59	ACCESSORY CO. (DRAIN ELBOW)	1	ACXH82C21740	←	
	60	L-SHAPED PLATE	1	CWD601074G	←	
	61	L-SHAPED PLATE	1	CWD601075G	←	
	62	CABINET FRONT PLATE - COMPLETE	1	ACXE06C04710	←	
	63	PANASONIC BADGE	1	ACXE37-19200	←	
	64	BAG	1	ACXG86-05850	←	
	65	BASE BOARD - COMPLETE	1	ACXG62C02550	←	
	66	SHOCK ABSORBER	1	ACXG70-13690A	←	
	67	SHOCK ABSORBER	1	ACXG70-13700A	←	
	68	SHOCK ABSORBER	1	ACXG70-13710A	←	
	69	SHOCK ABSORBER	1	ACXG70-13720A	←	
	70	C.C. CASE	1	ACXG50-58522	←	
	71	MODEL LABEL	2	ACXF85-99830	ACXF85-99840	

**Note:**

- All parts are supplied from PAPAMY, Malaysia (Vendor Code: 00029488).
- "O" marked parts are recommended to be kept in stock.