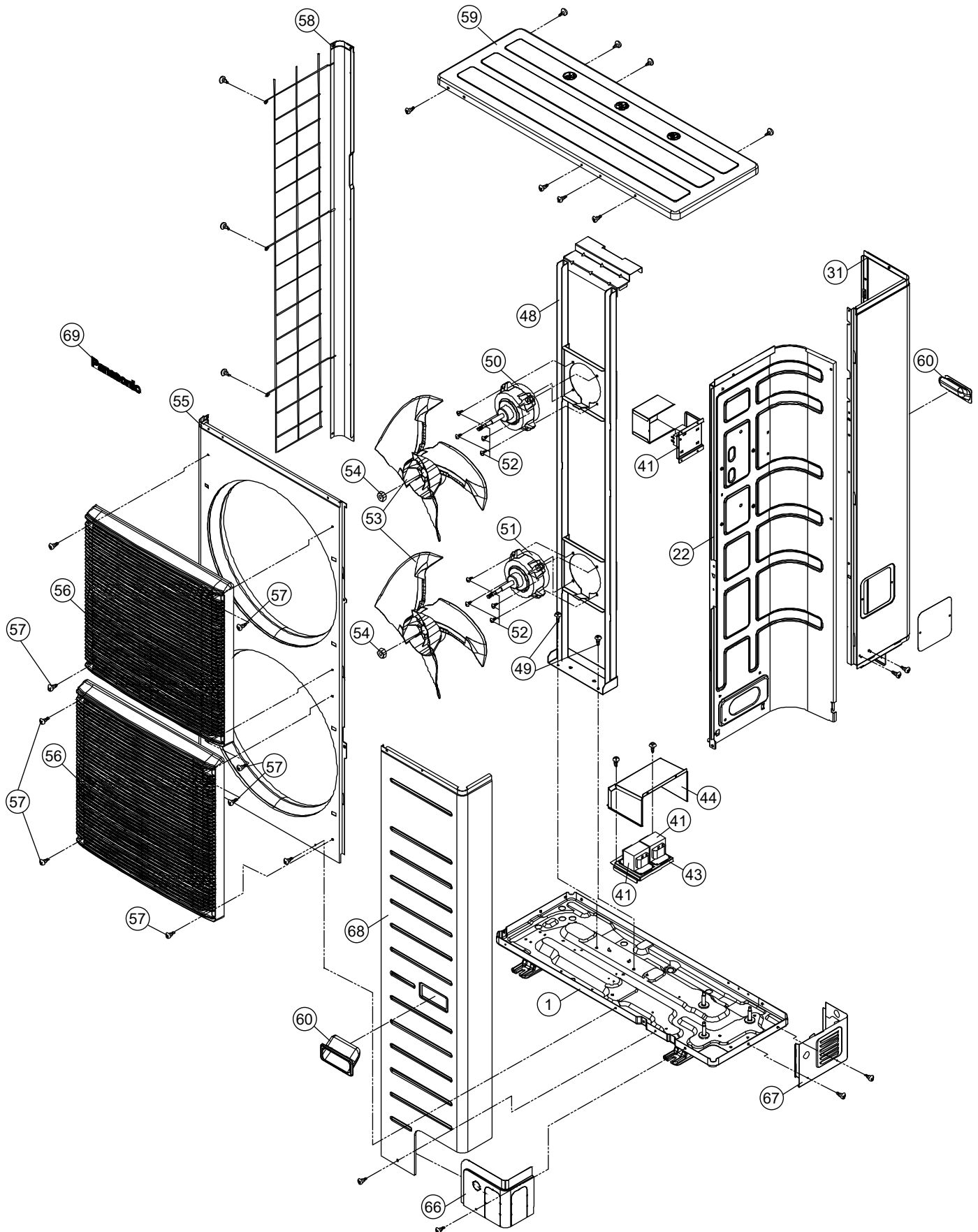
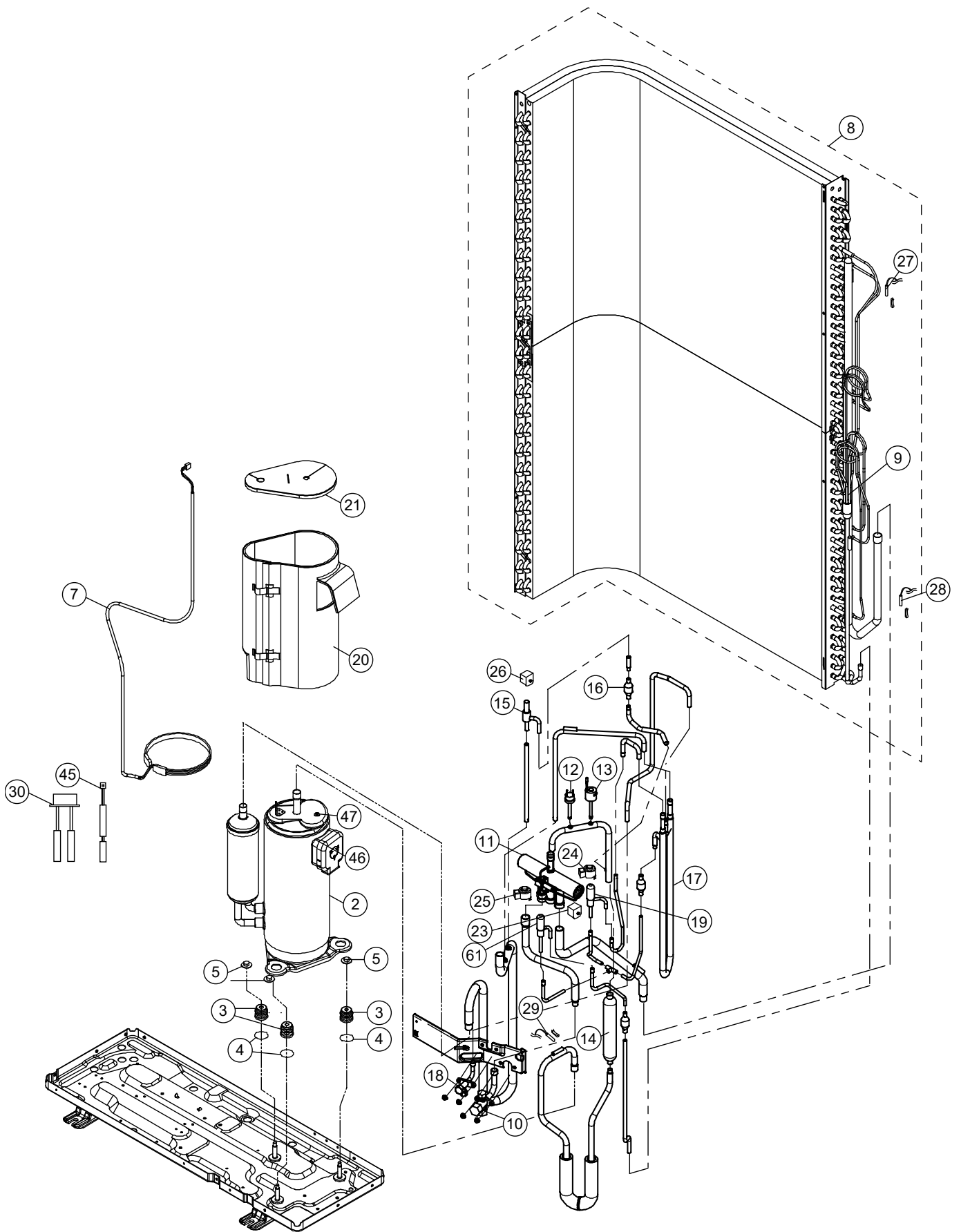


## 21.2.2 WH-UXZ16KE8



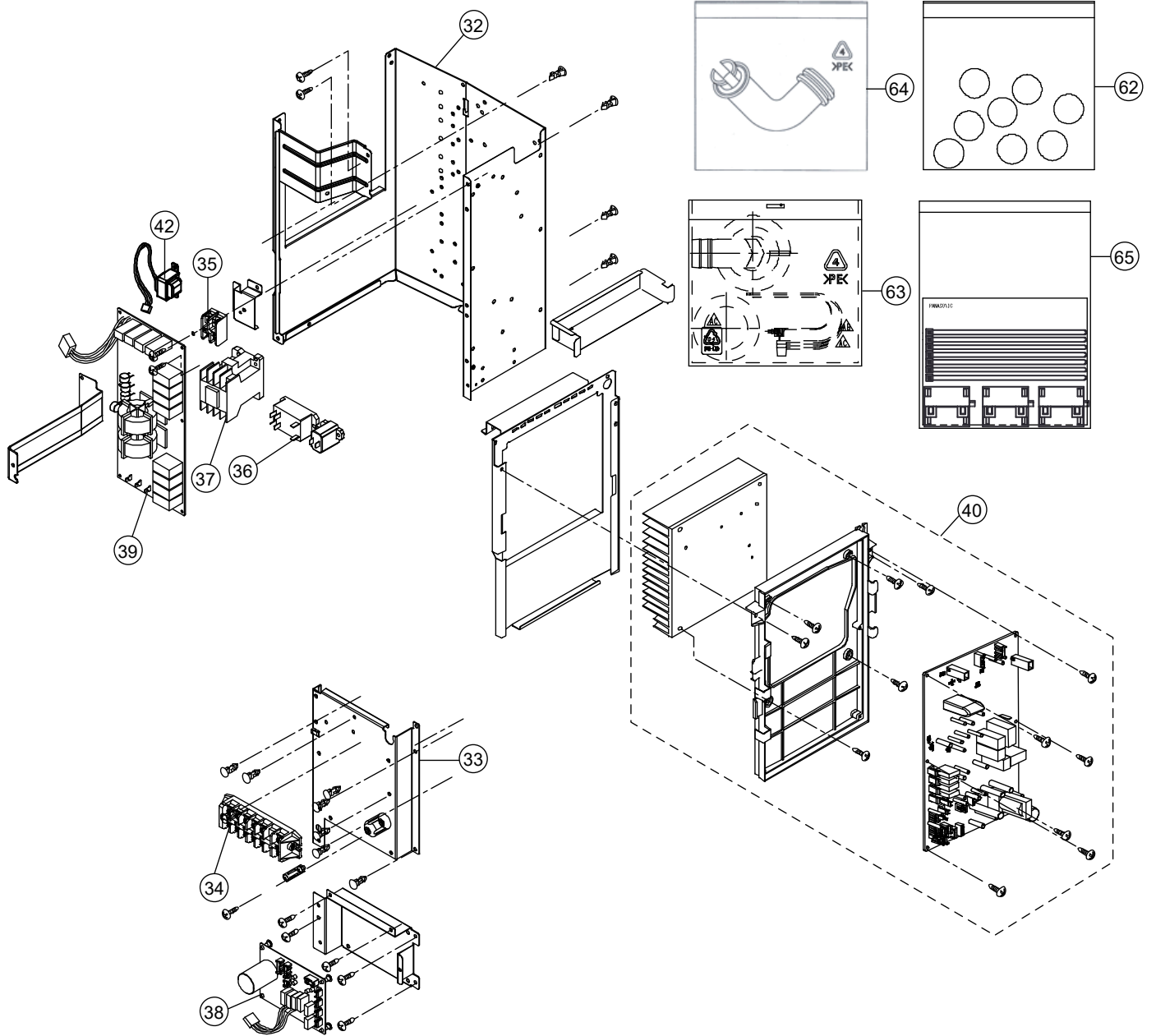
**Note:**

The above exploded view is for the purpose of parts disassembly and replacement. The non-numbered parts are not kept as standard service parts.

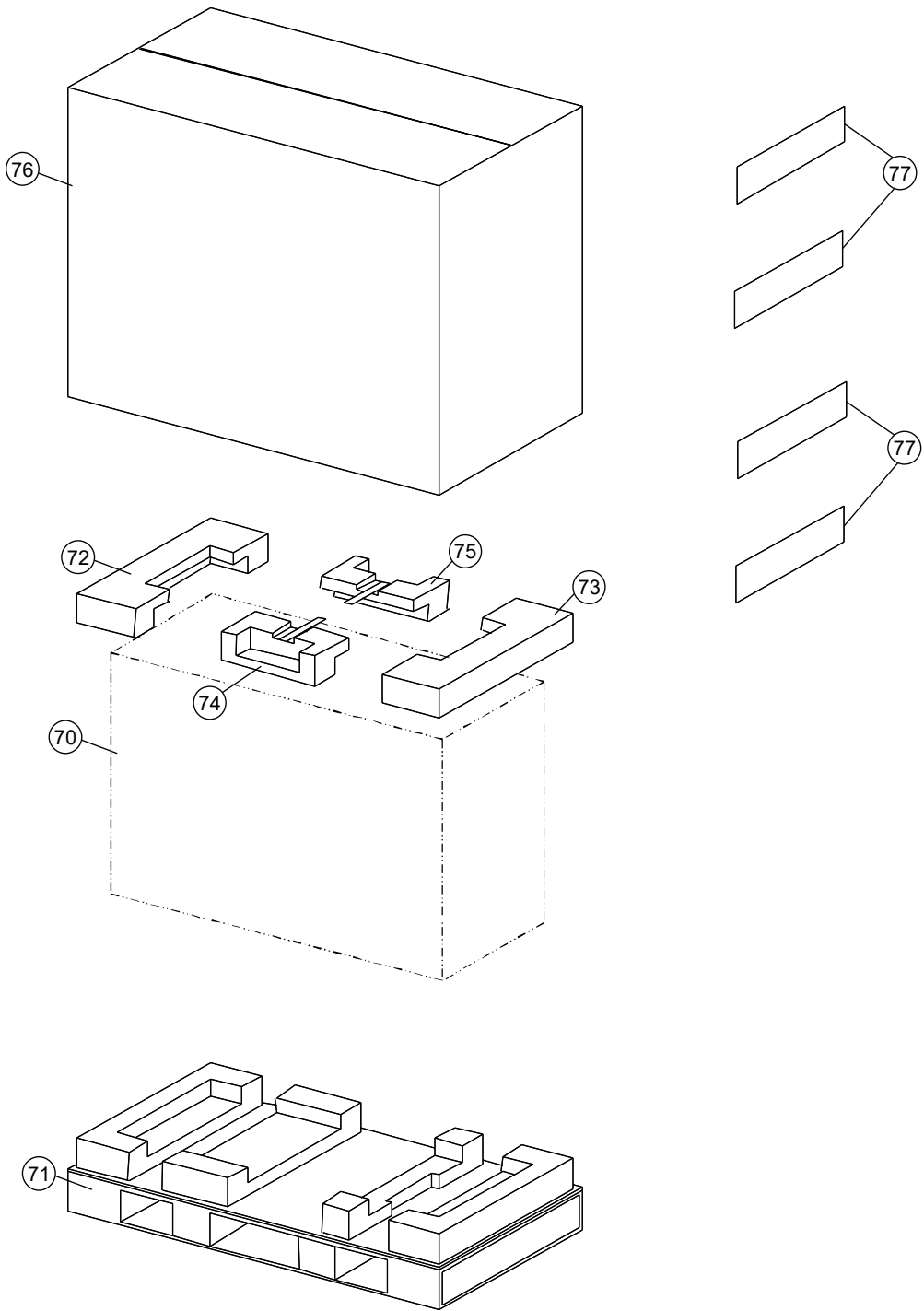


**Note:**

The above exploded view is for the purpose of parts disassembly and replacement. The non-numbered parts are not kept as standard service parts.



**Note:**  
 The above exploded view is for the purpose of parts disassembly and replacement.  
 The non-numbered parts are not kept as standard service parts.



**Note:**

The above exploded view is for the purpose of parts disassembly and replacement.  
The non-numbered parts are not kept as standard service parts.

SAFETY	REF. NO.	DESCRIPTION & NAME	QTY.	WH-UXZ16KE8	REMARK
	1	BASE PAN ASS'Y	1	ACXD52K00260	
⚠	2	COMPRESSOR	1	9JD650XAA22	O
	3	BUSHING - COMPRESSOR MOUNT	3	CWH50055	
	4	PACKING	3	CWB811017	
	5	NUT - COMPRESSOR MOUNT	3	CWH561049	
⚠	7	HEATER	1	ACXA34-00110	O
	8	CONDENSER	1	ACXB32C28240	O
	9	TUBE ASSY (CAP. TUBE)	1	ACXT07K09172	
	10	3-WAYS VALVE (GAS)	1	ACXB01-06230	O
	11	4-WAYS VALVE	1	ACXB00-01530	O
	12	PRESSURE SWITCH	1	ACXA10-00640	
⚠	13	SENSOR	1	ACXA50-05990	O
	14	DISCHARGE MUFFLER	1	CWB121014	
	15	2-WAYS VALVE	1	CWB021637	O
	16	STRAINER	1	CWB111032	
	17	TUBE HEAT EXCHANGER	1	CWB361003	
	18	2-WAYS VALVE	1	ACXB02-04010	O
	19	EXPANSION VALVE	1	CWB051091	
	20	SOUND PROOF MATERIAL	1	ACXG30-11370	
	21	SOUND PROOF MATERIAL	1	ACXG30-11380	
	22	SOUND PROOF BOARD	1	CWH151243	
⚠	23	V-COIL COMPLETE (CN-HOT)	1	CWA43C2169J	O
⚠	24	V-COIL COMPLETE (CN-EV)	1	ACXA43C06900	O
⚠	25	V-COIL COMPLETE (CN-EV2)	1	CWA43C2335	O
⚠	26	V-COIL COMPLETE (CN-V1)	1	CWA43C2607	O
⚠	27	SENSOR - COMPLETE (CN-TH1)	1	ACXA50C16850	O
⚠	28	SENSOR - COMPLETE (CN-TH2)	1	ACXA50C19270	O
⚠	29	SENSOR - COMPLETE (CN-DIS)	1	CWA50C2576	O
⚠	30	SENSOR - COMPLETE (CN-TH3)	1	CWA50C3165	O
	31	CABINET REAR PLATE - COMPLETE	1	ACXE02C01950	
	32	CONTROL BOARD CASING	1	CWH10K1228	
	33	BOX SHAPED PLATE	1	ACXD66-04240	
⚠	34	TERMINAL BOARD ASS'Y	1	CWA28K1214	O
⚠	35	TERMINAL BOARD ASS'Y	1	CWA28K1326	O
⚠	36	MAGNET RELAYS	1	K6C2AGA00002	O
⚠	37	MAGNET RELAYS	1	K6C4E8A00001	O
⚠	38	ELECTRONIC CONTROLLER - CAPACITOR	1	ACXA73-36370	O
⚠	39	ELECTRONIC CONTROLLER - NF	1	ACXA73-50060	O
⚠	40	ELECTRONIC CONTROLLER (MAIN)	1	ACXA73C97370R	O
⚠	41	REACTOR	3	G0C392J00040	O

SAFETY	REF. NO.	DESCRIPTION & NAME	QTY.	WH-UJZ16KE8	REMARK
	42	REACTOR	1	G0C103Z00003	O
	43	U-SHAPED PLATE - COMPLETE	1	ACXD62C00580	
	44	PARTICULAR PLATE - A'SSY	1	CWD90K1023	
	48	FAN MOTOR BRACKET ASS'Y	1	ACXD54K02380	
	49	SCREW - FAN MOTOR BRACKET	2	CWH551040J	
	50	FAN MOTOR (UPPER)	1	L6CBYYYL0362	O
	51	FAN MOTOR (LOWER)	1	L6CBYYYL0363	O
	52	SCREW - FAN MOTOR MOUNT	8	CWH551323	
	53	PROPELLER FAN ASSY	2	CWH00K1006	
	54	NUT	2	CWH561092	
	55	CABINET FRONT PLATE	1	CWE061098G	
	56	DISCHARGE GRILLE	2	CWE201154G	
	57	SCREW	8	ACXH55-07740	
	58	CABINET SIDE PLATE ASSY	1	CWE04K1023G	
	59	CABINET TOP PLATE - COMPLETE	1	ACXE03C02300	
	60	HANDLE	2	CWE161008G	
	61	EXPANSION VALVE	1	CWB051029	
	62	ACCESSORY - COMPLETE	1	ACXH82C03550	
	63	ACCESSORY - COMPLETE	1	ACXH82C26601	
	64	ACCESSORY CO. (DRAIN ELBOW)	1	ACXH82C21740	
	65	ACCESSORY CO. (V. COIL)	1	ACXH82C29040	
	66	L-SHAPED PLATE	1	CWD601074G	
	67	L-SHAPED PLATE	1	CWD601075G	
	68	CABINET FRONT PLATE - COMPLETE	1	ACXE06C04710	
	69	PANASONIC BADGE	1	ACXE37-19200	
	70	BAG	1	ACXG86-05850	
	71	BASE BOARD - COMPLETE	1	ACXG62C02550	
	72	SHOCK ABSORBER	1	ACXG70-13690A	
	73	SHOCK ABSORBER	1	ACXG70-13700A	
	74	SHOCK ABSORBER	1	ACXG70-13710A	
	75	SHOCK ABSORBER	1	ACXG70-13720A	
	76	C.C. CASE	1	ACXG50-58522	
	77	MODEL LABEL	2	ACXF87-09930	

**Note:**

- All parts are supplied from PAPAMY, Malaysia (Vendor Code: 00029488).
- "O" marked parts are recommended to be kept in stock.