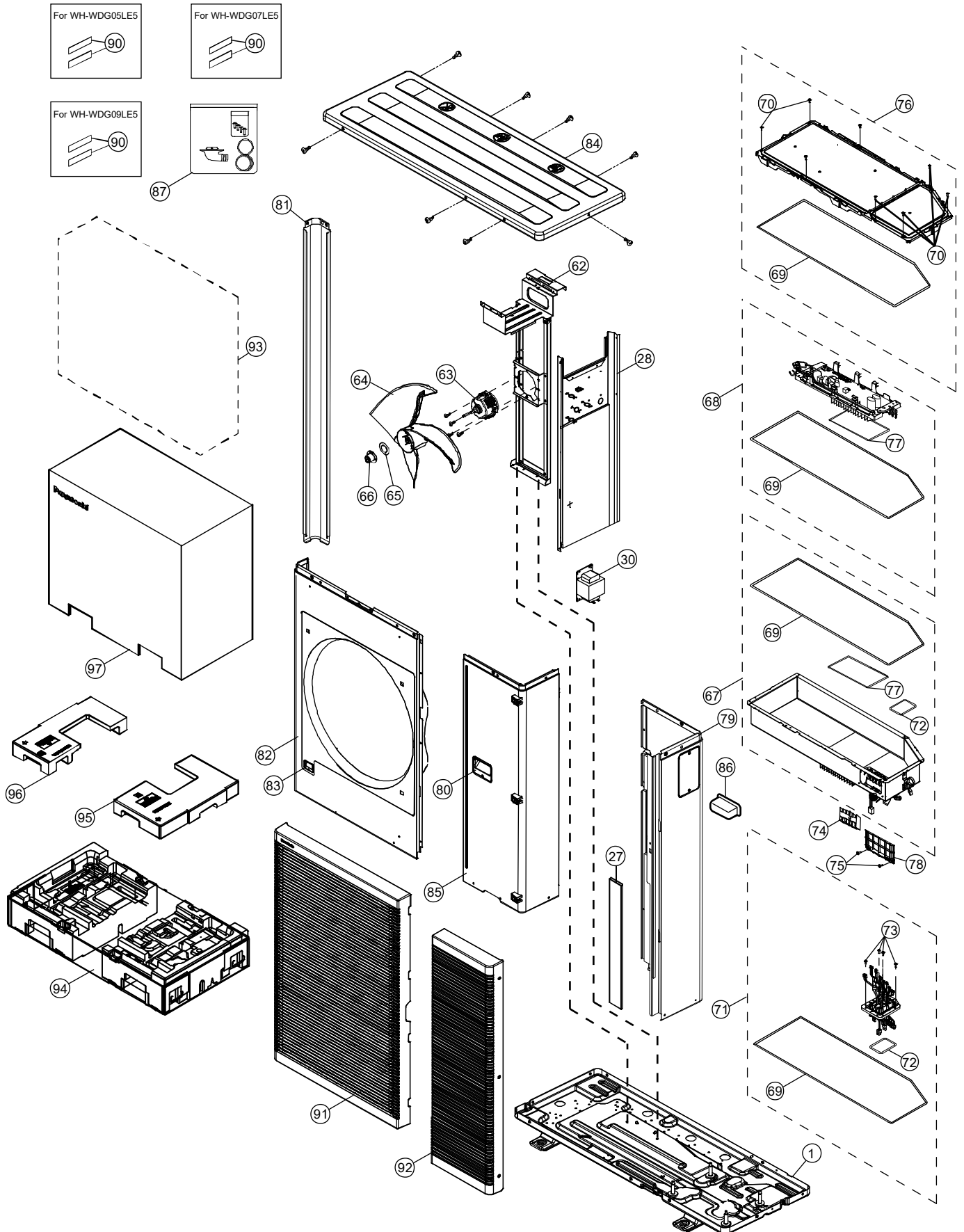
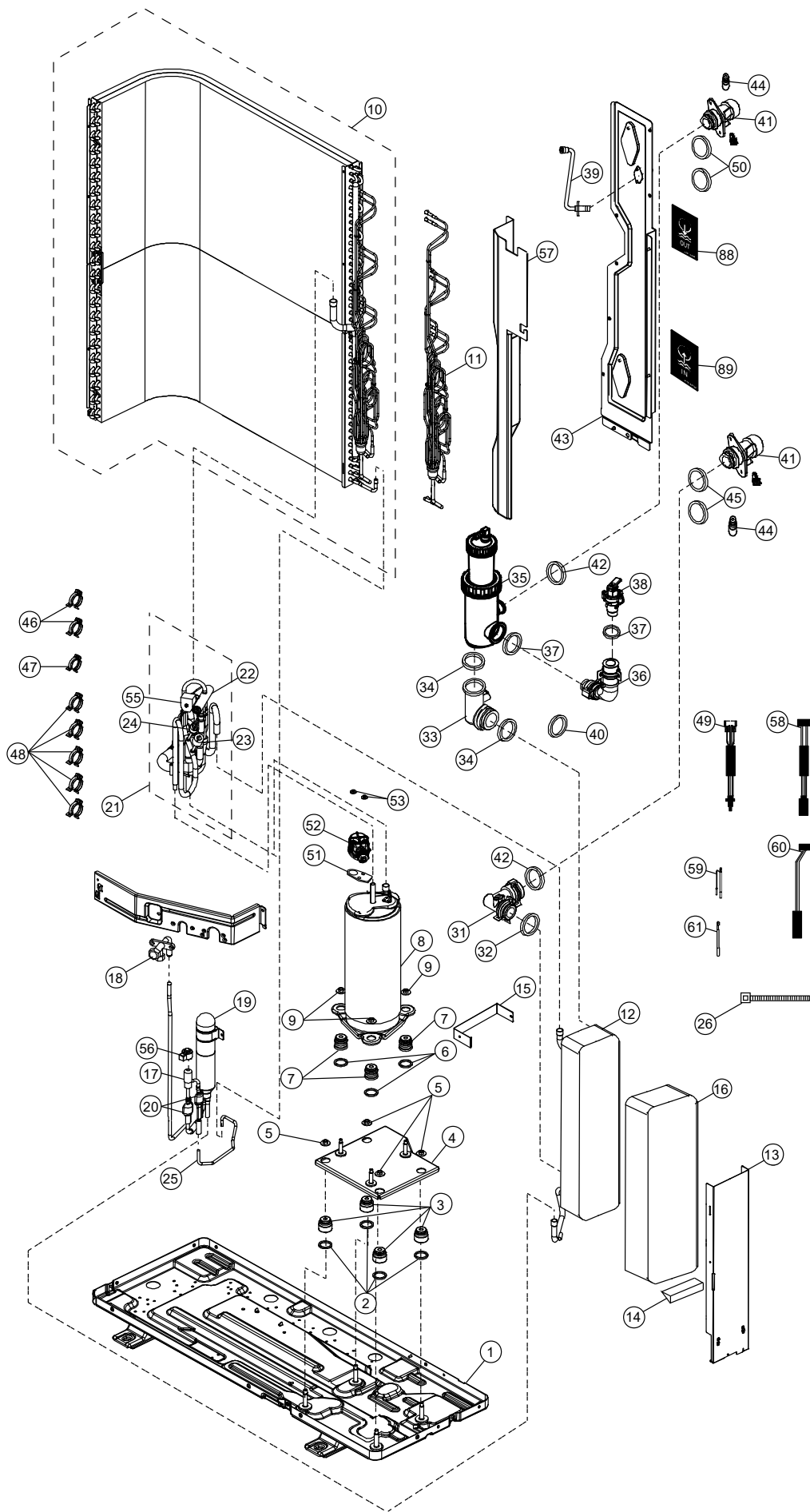


23.2 Outdoor Unit



Note:

The above exploded view is for the purpose of parts disassembly and replacement. The non-numbered parts are not kept as standard service parts.



Note:
 The above exploded view is for the purpose of parts disassembly and replacement.
 The non-numbered parts are not kept as standard service parts.

SAFETY	REF. NO.	DESCRIPTION & NAME	QTY.	WH-WDG09LE5	REMARK
	1	BASE PAN ASSY	1	ACXD52K05240	O
	2	O-RING (COMPRESSOR)	4	CWB811017	
	3	ANTI - VIBRATION BUSHING	4	ACXH50-00480	
	4	FLAT PLATE ASSY	1	ACXD64K00030	O
	5	NUT	4	CWH561049	
	6	O-RING (COMPRESSOR)	3	CWB811017	
	7	ANTI - VIBRATION BUSHING	3	CWH50055	
	8	COMPRESSOR	1	7JD420XAA62	O
	9	NUT	3	CWH561049	
	10	CONDENSER COMPLETE	1	ACXB32C26600	O
	11	MANIFOLD TUBE ASSY	1	ACXT07K10070	O
	12	HOT WATER COIL - COMPLETE	1	ACXB90C01630	O
	13	PARTICULAR PLATE	1	ACXD90-28980	O
	14	PARTICULAR PLATE	1	ACXD90-28990	O
	15	PARTICULAR PLATE	1	ACXD90-29010	O
	16	FOAMED POLYSTYRENE	1	ACXG07-07800	O
	17	EXPANTION VALVE	1	CWB051029	
	18	2-WAYS VALVE	1	ACXB02-03960	O
	19	RECEIVER	1	ACXB14-00760	O
	20	STRAINER	2	CWB111024	
	21	4-WAYS VALVE COMPLETE	1	ACXB00C03121	O
	22	4-WAYS VALVE	1	ACXB00-01520	O
	23	HIGH PRESSURE SENSOR	1	ACXA50-06450	O
	24	HIGH PRESSURE SWITCH	1	ACXA10-00710	O
	25	MULTIBENT TUBE	1	ACXT31-23920	O
	26	HOSE BAND	1	CWH4090023	
	27	SOUND PROOF MATERIAL	1	ACXG30-13340	O
	28	SOUND - PROOF BOARD	1	ACXH15-03930	O
	29	SOUND PROOF MATERIAL	1	ACXG30-13380	O
	30	FIXED INDUCTORS	1	G0C392J00060	O
	31	L-SHAPED TUBE	1	ACXT20-14160	O
	32	O-RING (TUBE)	1	ACXB81-06910	O
	33	L-SHAPED TUBE	1	ACXT20-14150	O
	34	O-RING (TUBE)	1	ACXB81-06910	O
	35	FILTER COMPLETE	1	ACXB51C00130	O
	36	TUBE ASSY	1	ACXT00-78420	O
	37	O-RING (PRESSURE RELIEF VALVE)	2	ACXB81-06820	O
	38	RELIEF VALVE	1	ACXB62-00740	
	39	TUBE ASSY	1	ACXT00-78430	O
	40	O-RING (PRESSURE RELIEF VALVE)	1	ACXB81-06820	O
	41	TUBE CONNECTER	2	ACXT29-02620	O
	42	O-RING (TUBE)	2	ACXB81-06910	O
	43	HOLDER - COUPLING	1	ACXH35-02220G	O

SAFETY	REF. NO.	DESCRIPTION & NAME	QTY.	WH-WDG09LE5	REMARK
	44	PLUG	2	CWB821027	
	45	O-RING (PLUG)	2	ACXB81-06770	
	46	RETAINING RING	2	CWH581007	
	47	RETAINING RING	1	CWH581038	
	48	RETAINING RING	5	ACXH58-00370	
	49	SENSOR - CO. WATER IN OUT (CN-TH4)	1	ACXA50C18860	O
	50	O-RING (SENSOR)	2	ACXB81-06780	O
	51	O-RING (TERMINAL COVER)	1	ACXB81-07090	O
	52	TERMINAL COVER COMPLETE	1	ACXH17C00090	O
	53	NUT	2	CWH7080300J	
	54	SOUND PROOF MATERIAL	1	ACXG30-13360	O
	55	V-COIL CO. (4 WAY VALVE)	1	ACXA43C07580	O
	56	V-COIL CO. (EXPENSION VALVE)	1	ACXA43C07590	O
	57	PARTICULAR PLATE	1	ACXD90-29000	O
	58	SENSOR - CO. OUTDOOR DISCHARGE (CN-DIS)	1	ACXA50C18870	O
	59	SENSOR - CO. OUTDOOR HEAT & AMBIENT (CN-TH1)	1	ACXA50C18880	O
	60	SENSOR - CO. EVA OUTLET (CN-TH3)	1	ACXA50C18900	O
	61	SENSOR - CO. REF TEMP (CN-TH4)	1	ACXA50C18910	O
	62	FAN MOTOR BRACKET	1	ACXD54-04100	O
	63	FAN MOTOR DC 120W 3PH	1	L6CAYYYL0195	O
	64	FAN ASSY	1	CWH03K1103	
	65	WASHER	1	CWH571075A	
	66	NUT	1	CWH561112A	
	67	CONTROL BOARD ASSY	1	ACXH10K03170	O
	68	ELECTRONIC CONTROLLER - MAIN	1	ACXA70C00120	O
	69	O-RING (ELECTRONIC CO. - MAIN)	1	ACXB81-07210	O
	70	SCREW	6	CWH551198	
	71	BOX SHAPED PLATE - CO. (LEADWIRE)	1	ACXD66C00710	O
	72	O-RING (BOX SHAPE PLATE)	1	ACXB81-07140	O
	73	SCREW	6	CWH551198	
	74	TERMINAL BOARD ASS'Y	1	CWA28K1213	
	75	SCREW	6	CWH551198	
	76	CONTROL BOARD COVER	1	ACXH13K00910	O
	77	O-RING (CONTROL BOARD COVER)	1	ACXB81-07230	O
	78	CONTROL BOARD COVER - COMPLETE	1	ACXH13C06430	O
	79	CABINET SIDE PLATE - COMPLETE	1	ACXE04C08560	O
	80	HANDLE	1	ACXE16-00230G	O
	81	CABINET SIDE PLATE	1	ACXE04-13350G	O
	82	CABINET FRONT PLATE - COMPLETE	1	ACXE06C04680	O
	83	HANDLE	1	ACXE16-00230G	O
	84	CABINET TOP PLATE - COMPLETE	1	ACXE03C02340	O
	85	CABINET FRONT PLATE - COMPLETE	1	ACXE06C04660	O
	86	HANDLE	1	ACXE16-00230G	O

SAFETY	REF. NO.	DESCRIPTION & NAME	QTY.	WH-WDG09LE5	REMARK
	87	ACCESSORY - COMPLETE	1	ACXH82C24920	O
	88	INDICATION LABEL	1	ACXF71-17600	O
	89	INDICATION LABEL	1	ACXF71-17610	O
	90	MODEL LABEL	2	ACXF87-03520	O
	91	DISCHARGE GRILLE - COMPLETE	1	ACXE20C08790	O
	92	DISCHARGE GRILLE - COMPLETE	1	ACXE20C08800	O
	93	BAG	1	ACXG86-04431	
	94	BASE BOARD - COMPLETE	1	ACXG62C02820	O
	95	SHOCK ABSORBER	1	ACXG70-15320	O
	96	SHOCK ABSORBER	1	ACXG70-15330	O
	97	C.C. CASE	1	ACXG50-62250	O

Note:

- All parts are supplied from PAPAMY, Malaysia (Vendor Code: 00029488).
- "O" marked parts are recommended to be kept in stock.